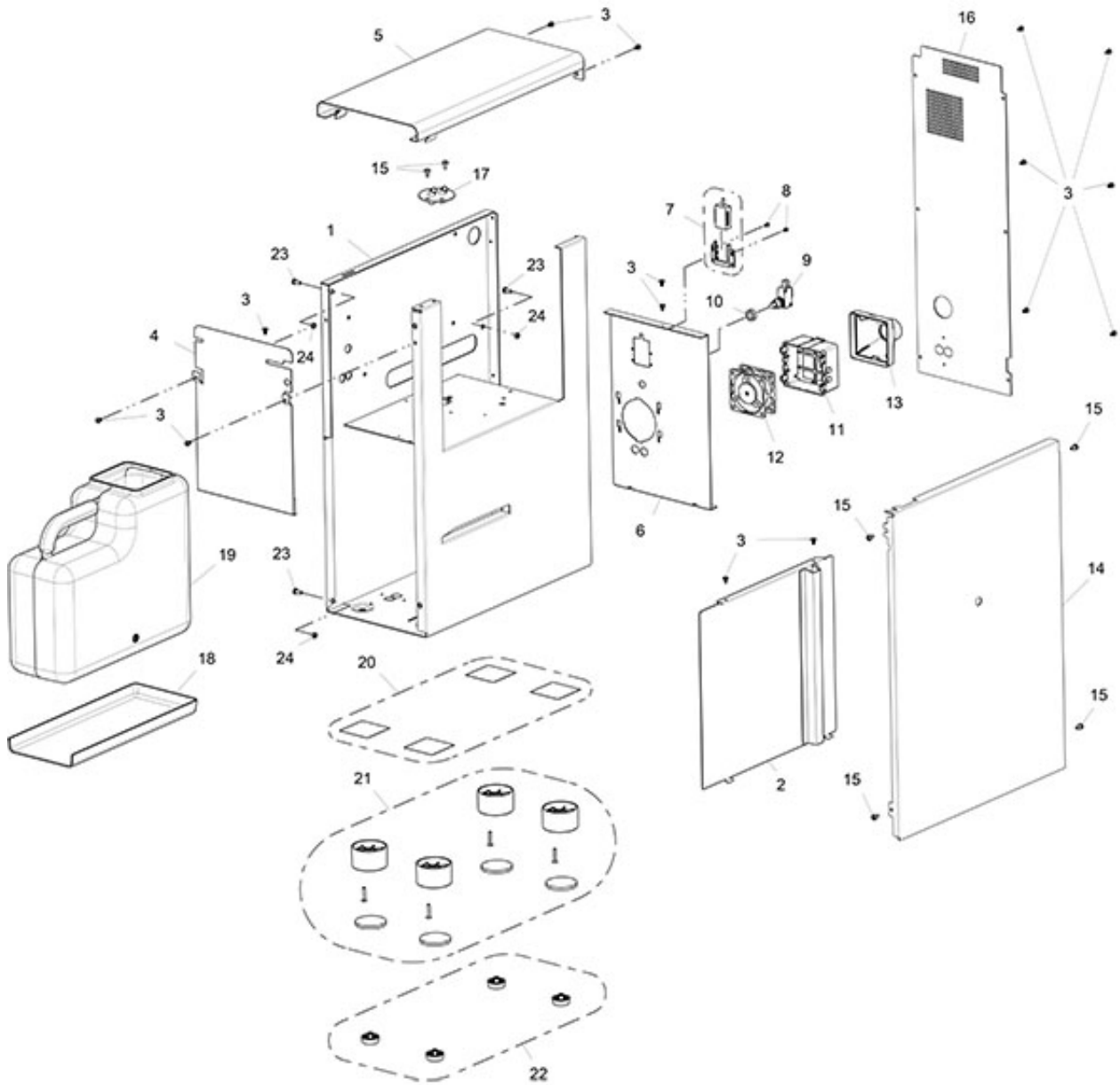


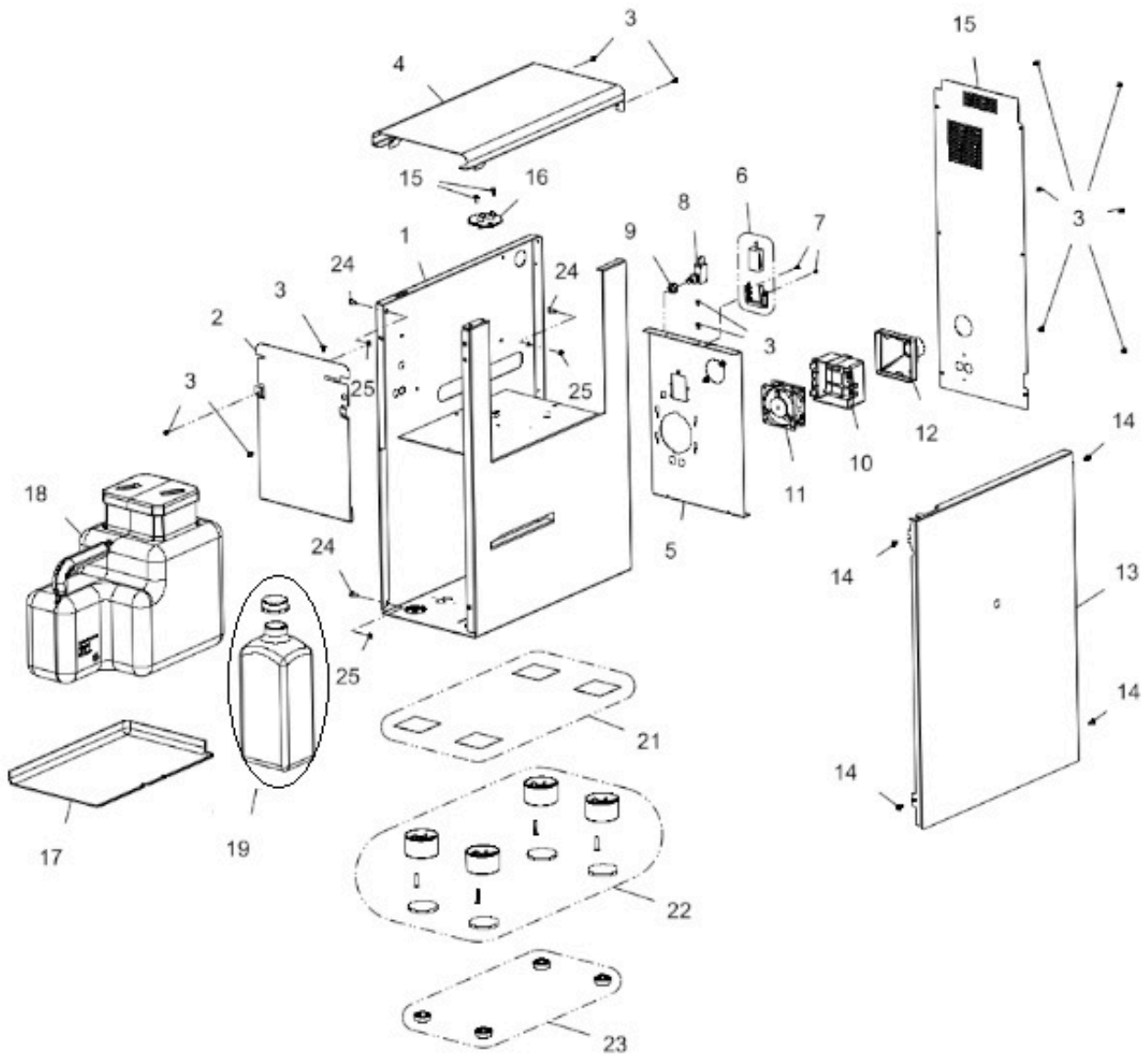
# vending machine



# spare parts manual

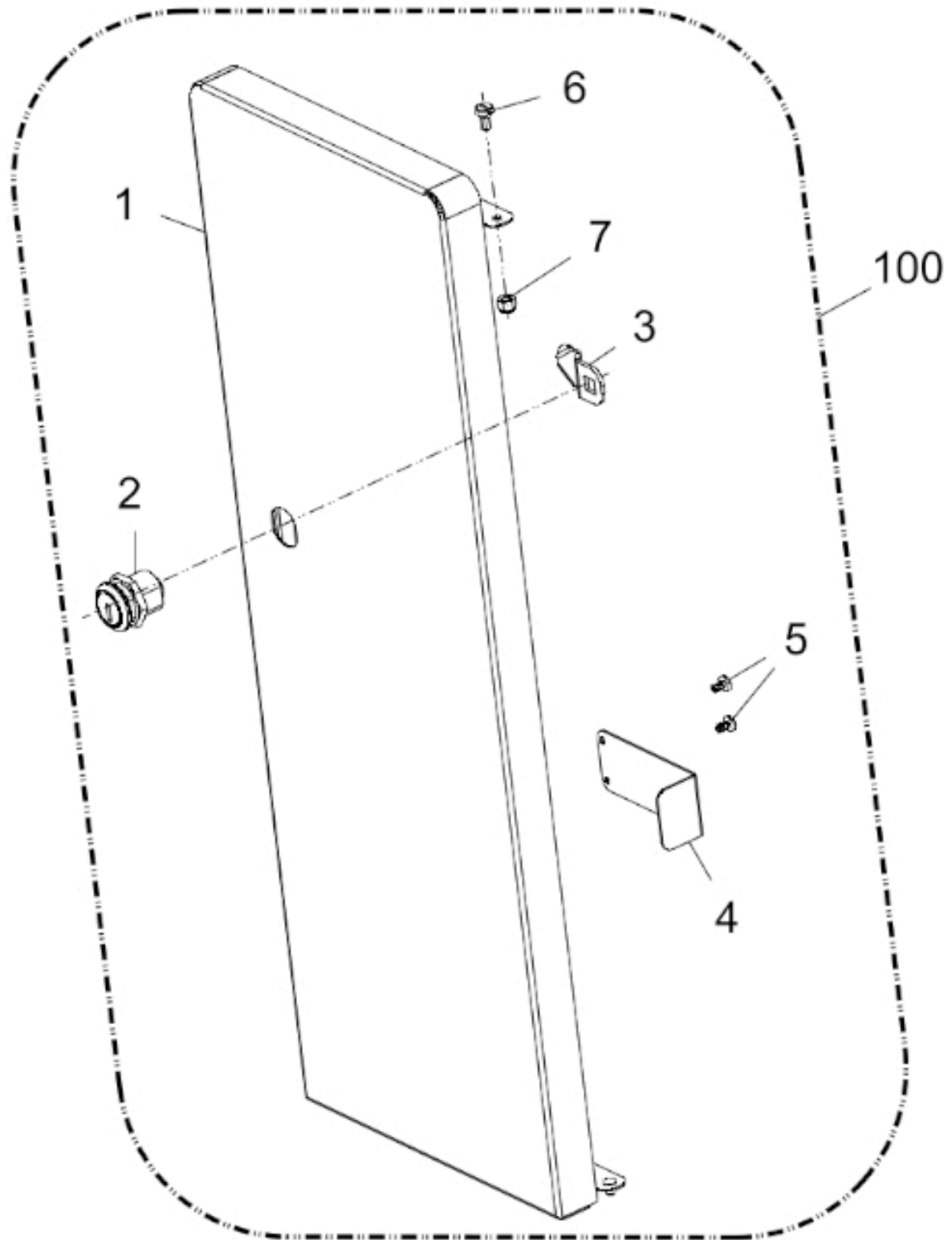


<b>CABINET (version 1.0)</b>		
<b>Pos.</b>	<b>Code</b>	<b>Description</b>
1	Z0010029001NA	CABINET
2	Z0010029004NA	CABINET BULKHEAD
3	VIT0002009	SCREW ST HEAD CAP M3.5X6.5
4	Z0010029008NA	FRONT CLOSURE
5	Z0010029009NA	UPPER COVER
6	Z0010029010	REAR CLOSURE
7	ELEB188002R	§ SENSOR
8	VIT0002001	SCREW ST HEAD CAP M2.9X6.5
9	ELE0001506	MICROSWITCH
10	VIT0009182	SPACER 10,3x15xH5
11	Z0010027064	FAN SUPPORT
12	ELE0000461	FAN 24V DC-HIGH SPEED
13	Z0010027065	FAN CONNECTOR
14	Z0010029011NA	RIGHT SIDE
15	VIT0000011	SCREW HEAD TAP CAP M4X8
16	Z0010029021	BACK COVER
17	Z0010029088NA	DRIP TRAY HOSES SUPPORT
18	Z0010029066NA	BOTTOM PROTECTION
19	Z0010029058	TANK DRIP TRAY (5 LITERS)
20	Z0010028814R	§ 4 BLACK ADHESIVE 50x50x0,1
21	KITB188001	HIGH FEET KIT for XS GRANDE Version
22	KITB188002	LOW FEET KIT for EC version
23	VIT0000012	SCREW HEAD TAP CAP M4X10 to fix modul rhMM1.V+ to machine
24	VIT0004503	NUT M4 to fix modul rhMM1.V+ to machine

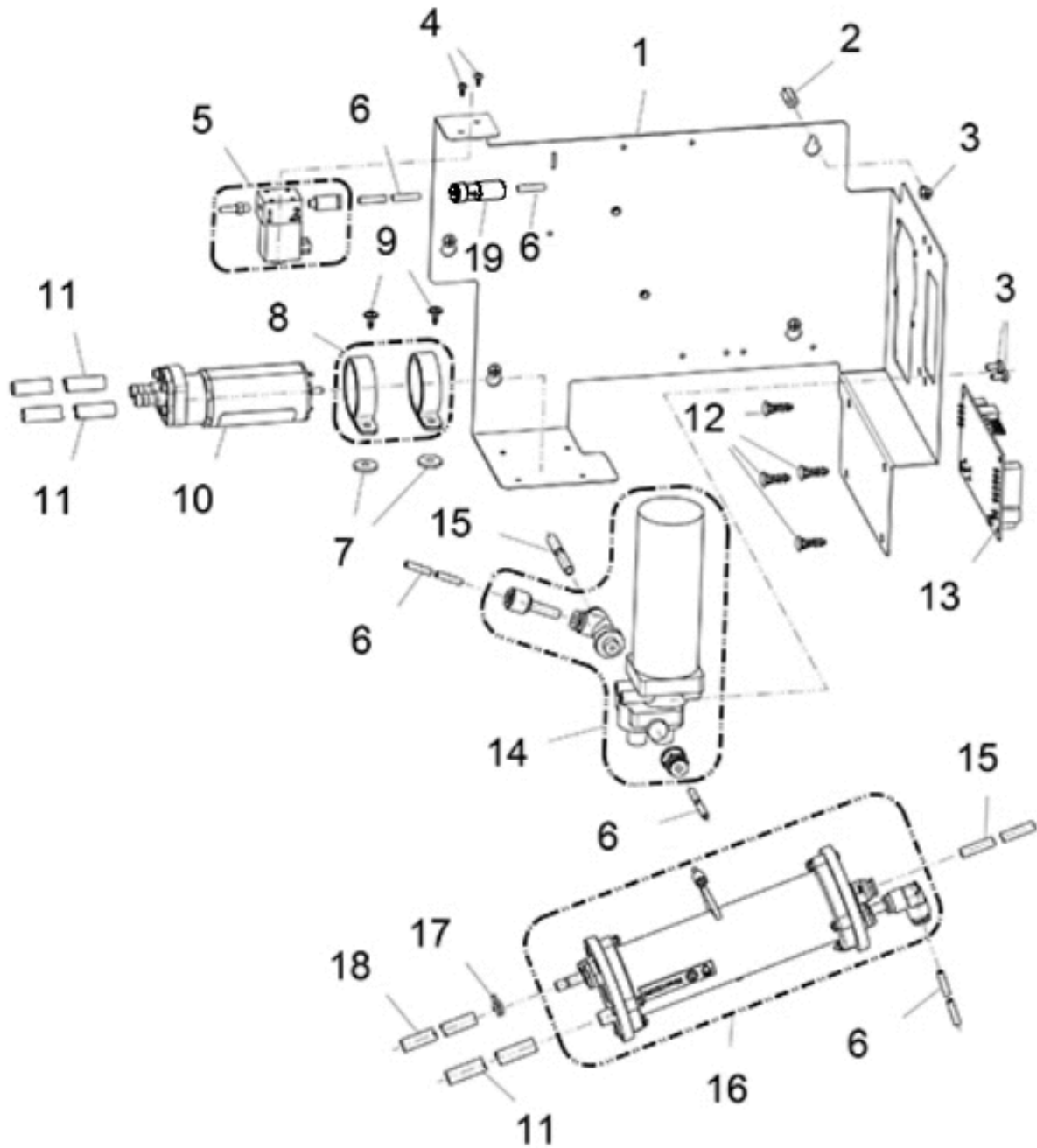


CABINET (version 1.5)		
Pos.	Code	Description
1	Z0010029001NA	CABINET
2	Z0010029008NA	FRONT CLOSURE
3	VIT0002009	SCREW ST HEAD CAP M3.5X6.5
4	Z0010029009NA	UPPER COVER
5	Z001B188009	REAR CLOSURE
6	ELEB188002R	§ SENSOR
7	VIT0002001	SCREW ST HEAD CAP M2.9X6.5
8	ELE0001506	MICROSWITCH
9	VIT0009182	SPACER 10,3x15xH5
10	Z0010027064	FAN SUPPORT
11	ELE0000461	FAN 24V DC-HIGH SPEED
12	Z0010027065	FAN CONNECTOR
13	Z0010029011NA	RIGHT SIDE
14	VIT0000011	SCREW HEAD TAP CAP M4X8
15	Z0010029021	BACK COVER
16	Z0010029088NA	DRIP TRAY HOSES SUPPORT
17	Z001B190056NA	BOTTOM PROTECTION
18	Z001B188012	TANK DRIP TRAY (6,7 LITERS)
19	CON0000311R	CLEAN-MIX BOTTLE+PLUG
21	Z0010028814R	§ 4 BLACK ADHESIVE 50x50x0,1
22	KITB188001	HIGH FEET KIT for XS GRANDE Version
23	KITB188002	LOW FEET KIT for EC version
24	VIT0000012	SCREW HEAD TAP CAP M4X10 to fix modul rhMM1.V+ to machine
25	VIT0004503	NUT M4 to fix modul rhMM1.V+ to machine

DOOR

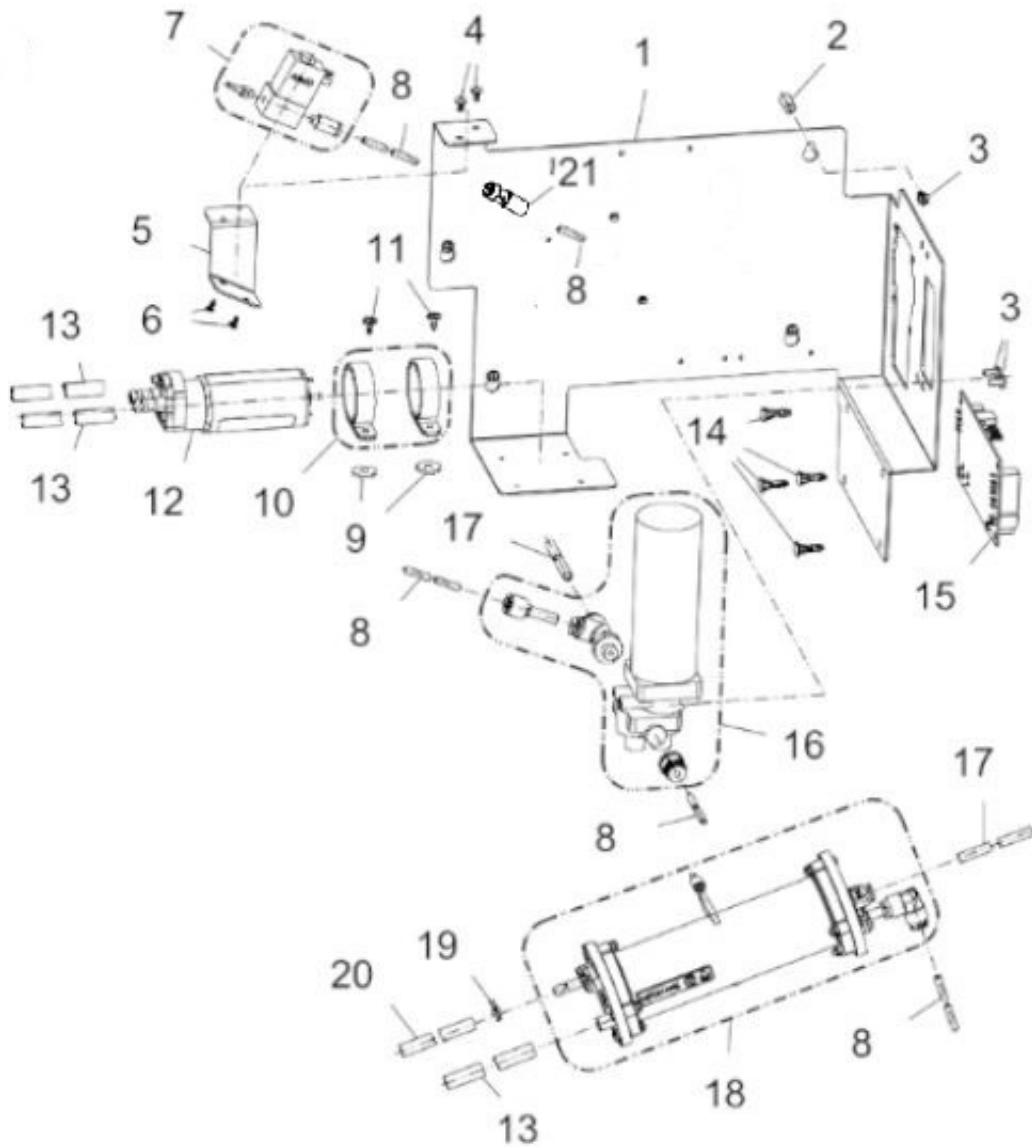


DOOR		
Pos.	Code	Description
1	Z0010029006NA	DOOR
2	SER0000028	LOCK MM20 + KEY 3480
3	Z0010028274	LOCK BRACKET
4	Z0010029075NA	TANK STOP
5	VIT0002009	SCREW ST HEAD CAP M3.5X6.5
6	4060010126	PAYM SYSTEM FIXING SCREW
7	VIT0004810	NUT M4
100	Z0010029006CL	§ DOOR



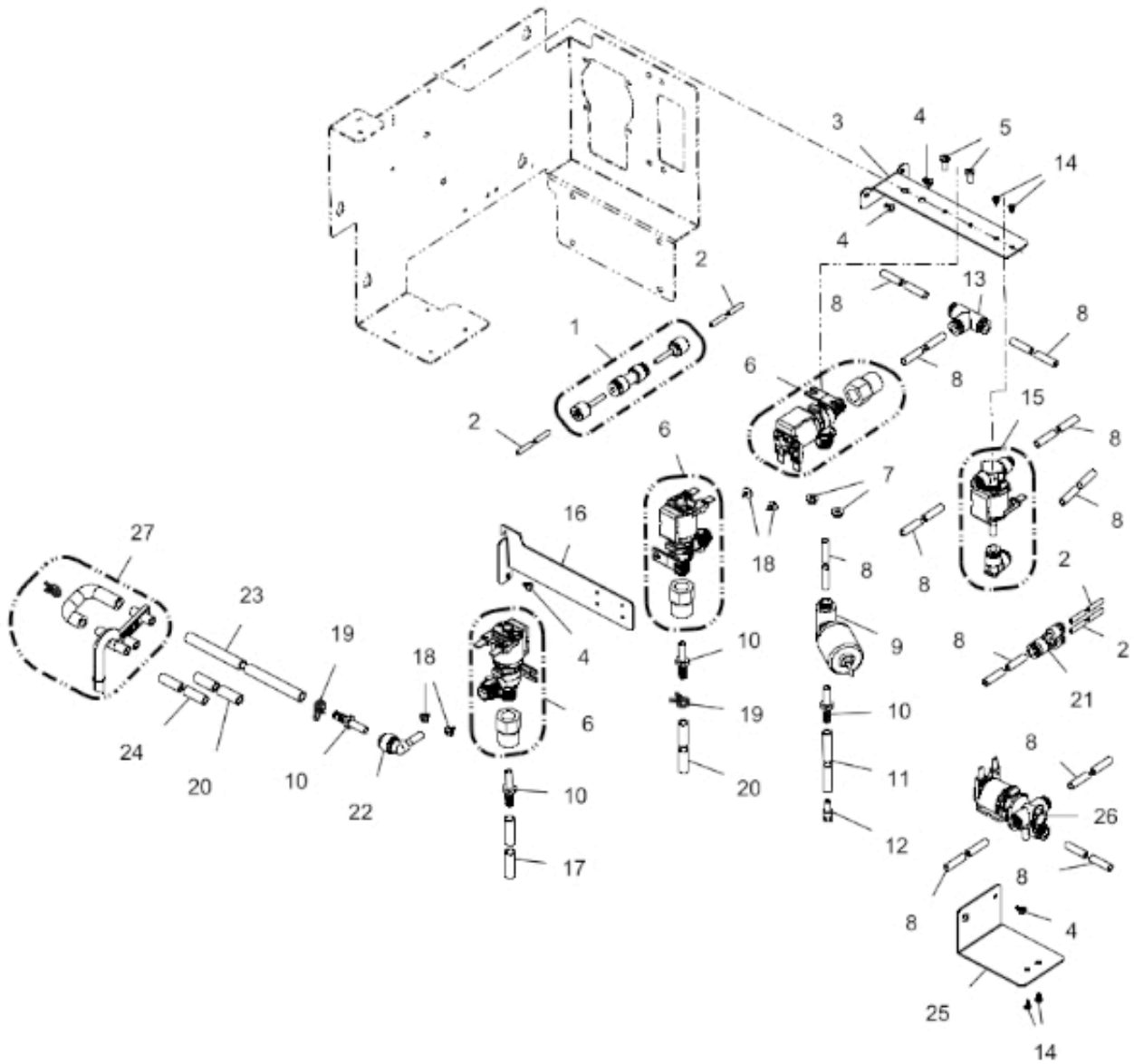


PUMP HYDRIC CIRCUIT (version 1.0)		
Pos.	Code	Description
1	Z0010029014	HYDRO PANEL
2	VIT0009181	FEMALE SPACER M4
3	VIT0000011	SCREW HEAD TAP CAP M4X8
4	VIT0002001	SCREW ST HEAD CAP M2.9X6.5
5	Z011B188013R	§ VALVE
6	TTEF02/04T	PTFE PIPE 2X4
7	1600001098	RUBBER SPACER D. 4,5
8	Z0110004079R	§ PUMP SUPPORT
9	VIT0002401	SCREW ST HEAD CAP M3.5X9.5
10	Z0110004077	PUMP 24V DC
11/a	TSIL06/11T-10	SILICON HOSE 6X11 MT.10
11/b	TSIL06/11T-50	SILICON HOSE 6X11 MT.50
12	ELE0062020	BOARD SUPPORT
13	SCH0010700	INDUX/AUTONOMOUS BOARD
14	Z011B188006R	§ MILK PUMP
15	TTEF04/06T	PTFE PIPE 4X6
16		See table MILK HEATER
17	FASC000112	TUBE FIXING CLIP
18/a	TSIL05/08T-10	SILICON HOSE 5X8 MT.10
18/b	TSIL05/08T-50	SILICON HOSE 5X8 MT.50
19	Z0100001244	ONE-WAY VALVE D.4



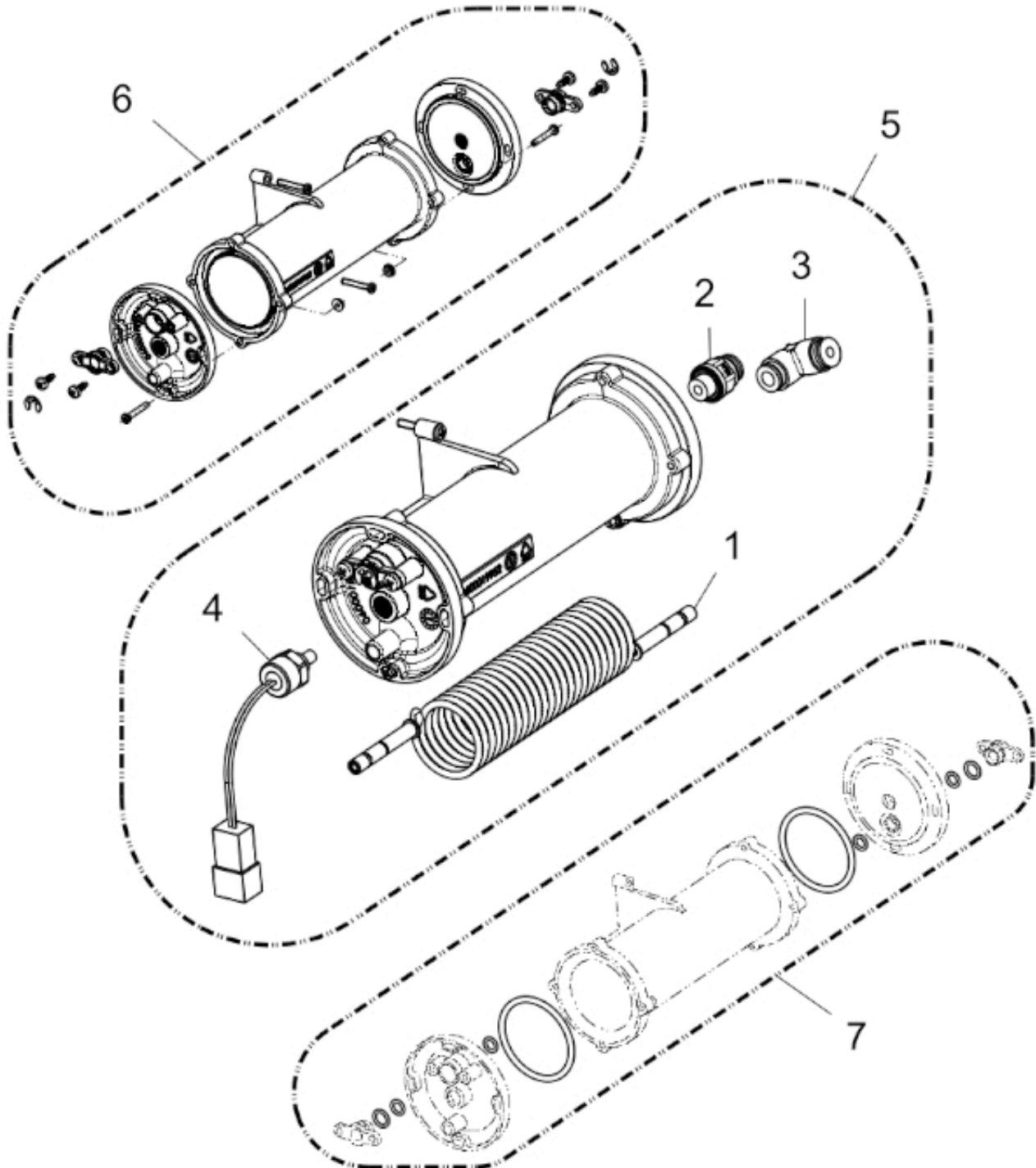
<b>PUMP HYDRIC CIRCUIT (version 1.5)</b>		
<b>Pos.</b>	<b>Code</b>	<b>Description</b>
1	Z0010029014	HYDRO PANEL
2	VIT0009181	FEMALE SPACER M4
3	VIT0000011	SCREW HEAD TAP CAP M4X8
4	VIT0002009	SCREW ST HEAD CAP M3.5X6.5
5	Z001B188019	ADDITIONAL EV AIR SUPPOR
6	VIT0002064	SCREW ST HEAD CAP M2.9X9.5
7	Z011B188013R	§ VALVE
8	TTEF02/04T	PTFE PIPE 2X4
9	1600001098	RUBBER SPACER D. 4,5
10	FASC000220CL	§ PUMP SUPPORT
11	VIT0002401	SCREW ST HEAD CAP M3.5X9.5
12	Z0110004077	PUMP 24V DC
13/a	TSIL06/11T-10	SILICON HOSE 6X11 MT.10
13/b	TSIL06/11T-50	SILICON HOSE 6X11 MT.50
14	ELE0062020	BOARD SUPPORT
15	SCH0010700	INDUX/AUTONOMOUS BOARD
16	Z011B188006R	§ MILK PUMP
17	TTEF04/06T	PTFE PIPE 4X6
18		See table MILK HEATER
19	FASC000112	TUBE FIXING CLIP
20/a	TSIL05/08T-10	SILICON HOSE 5X8 MT.10
20/b	TSIL05/08T-50	SILICON HOSE 5X8 MT.50
21	Z0100001244	ONE-WAY VALVE D.4

VALVE HYDRIC CIRCUIT



VALVE HYDRIC CIRCUIT		
Pos.	Code	Description
1	Z0100001233R	§ RESTRICTOR
2	TTEF02/04T	PTFE PIPE 2X4
3	Z0010029018	VALVE SUPPORT 3 WAY
4	VIT0002009	SCREW ST HEAD CAP M3.5X6.5
5	VIT0000012	SCREW HEAD TAP CAP M4X10
6	Z011B188003R	§ VALVE 2 WAY
7	DAM0000056	NUT M4
8/a	TSIL04/06T-10	SILICON HOSE 4X6 MT.10
8/b	TSIL04/06T-50	SILICON HOSE 4X6 MT.50
9	ELEB188001	SENSOR
10	Z0100001197	CONNECTION
11/a	TSIL04/07T-10	SILICON HOSE 4X7 MT.10
11/b	TSIL04/07T-50	SILICON HOSE 4X7 MT.50
12	Z0380020010	MILK INOX NOZZLE
13	Z0100001199	QUICK CONNECTOR T6-6-6
14	VIT0002001	SCREW ST HEAD CAP M2.9X6.5
15	Z011B188005R	§ VALVE 3 WAY
16	Z0010029071	SUPPORT BRACKET EV 8002
17/a	TSIL06/11T-10	SILICON HOSE 6X11 MT.10
17/b	TSIL06/11T-50	SILICON HOSE 6X11 MT.50
18	VIT0002033	TAPPING SCREW T.C.B. 3,5 X 6,5
19	FASC000105	CLAMP
20/a	TSIL06/09TC-10	SILICON HOSE 5,6X8,8 MT.10
20/b	TSIL06/09TC-50	SILICON HOSE 5,6X8,8 MT.50
21	Z0100001234	Y CONNECTOR
22	Z0100005104	FITTING ELBOW D.6
23/a	TSIL06/09A-10	SILICON HOSE 6X9 MT.10
23/b	TSIL06/09A-50	SILICON HOSE 6X9 MT.50
24/a	TSIL05/08T-10	SILICON HOSE 5X8 MT.10
24/b	TSIL05/08T-50	SILICON HOSE 5X8 MT.50
25	Z0010029087	SOLENOID VALVE SUPPORT
26	Z011B188004	STEAM EV
27	Z0020039648R	§ NOZZLE

MILK HEATER



MILK HEATER		
Pos.	Code	Description
1	Z0600019976	COIL AISI 316L
2	Z0100001150	STRAIGHT CONNECTOR M G1/8 D6
3	Z0100001235	90° ELBOW CONNECTOR
4	ELE0000975	PROBE
5	Z026B188001CL	§ MILK HEATER
6	KITCAPI001	KIT FLANGE MILK HEATER
7	KITCAPI002	KIT GASKETS MILK HEATER