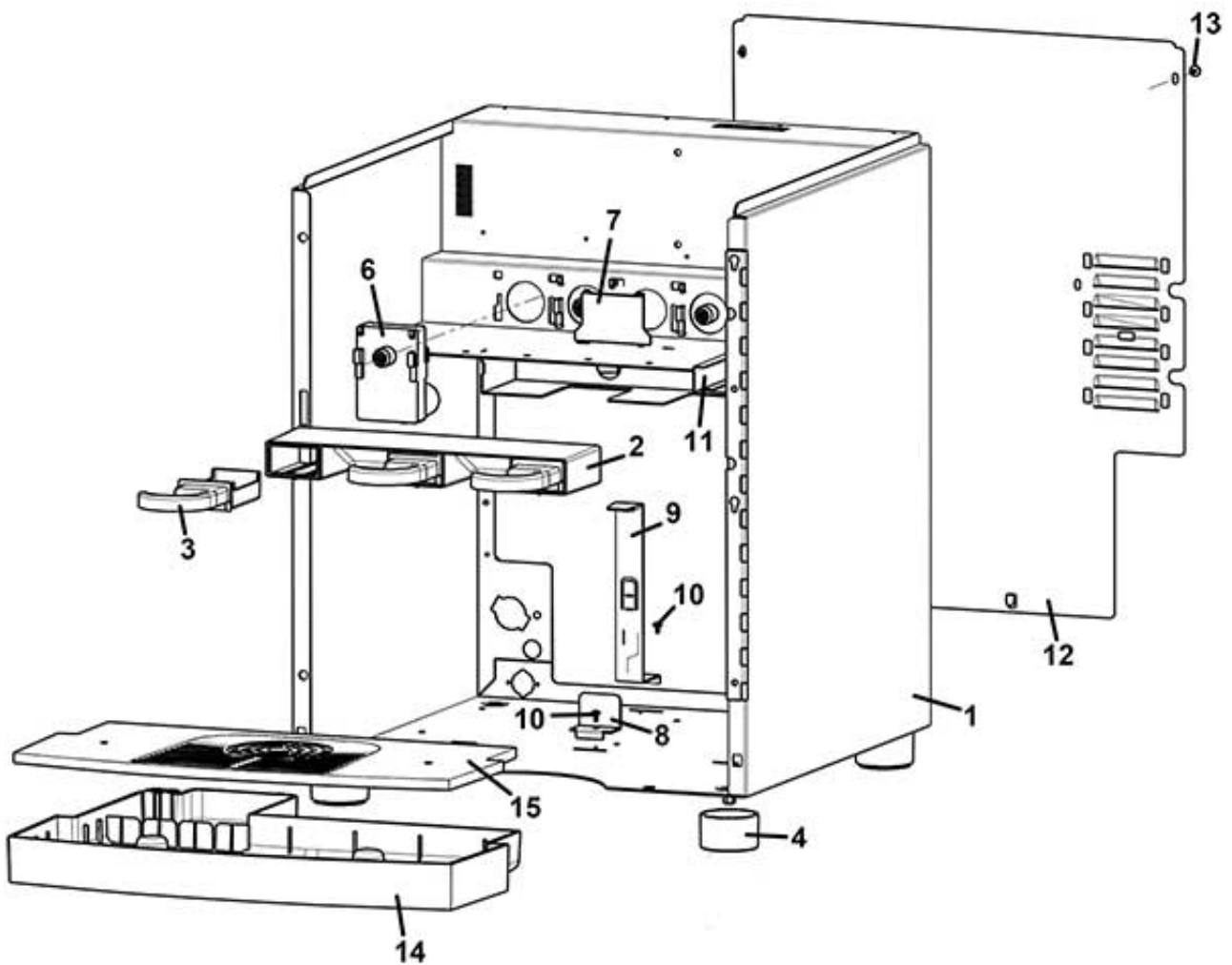


vending machine

file immagini/ricambi/copertine/rhea business line grande i.jpg NOT exists!!!!!!

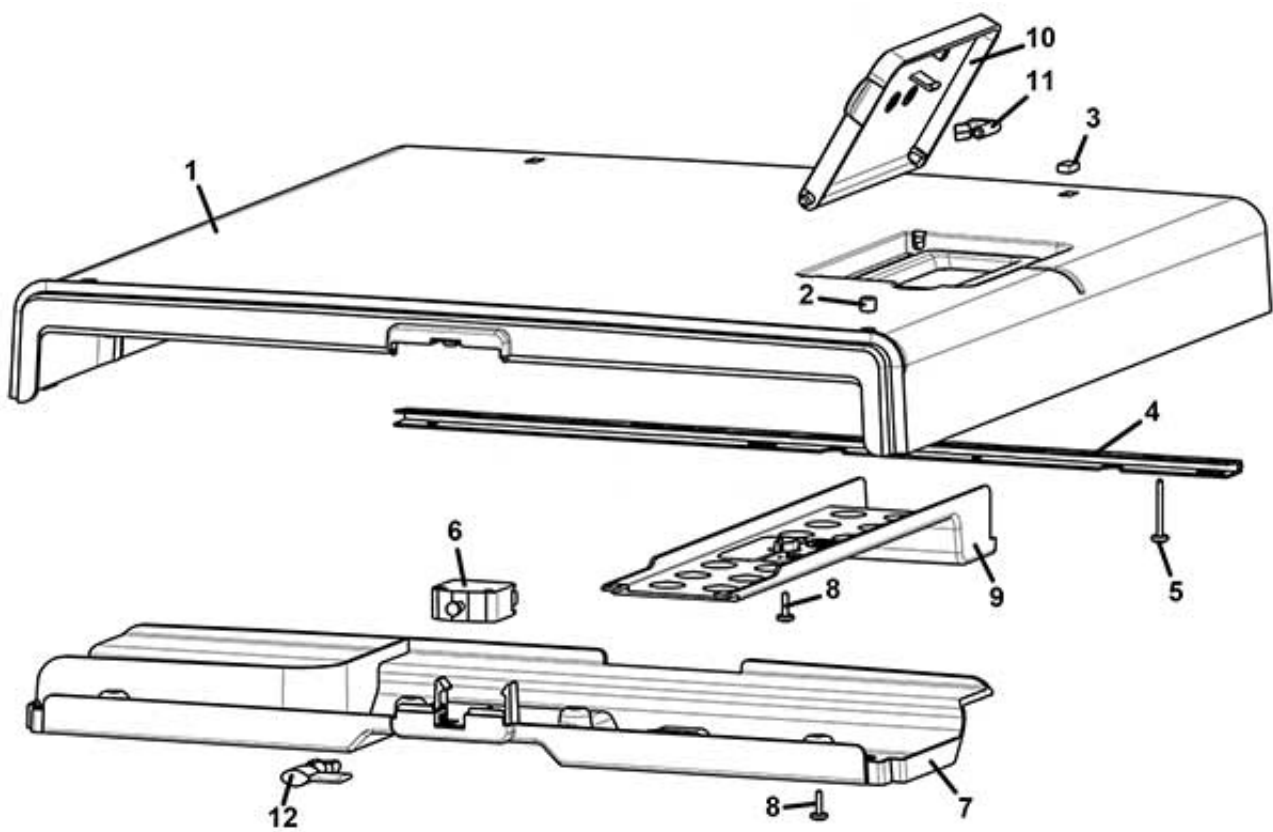
spare parts manual

cabinet



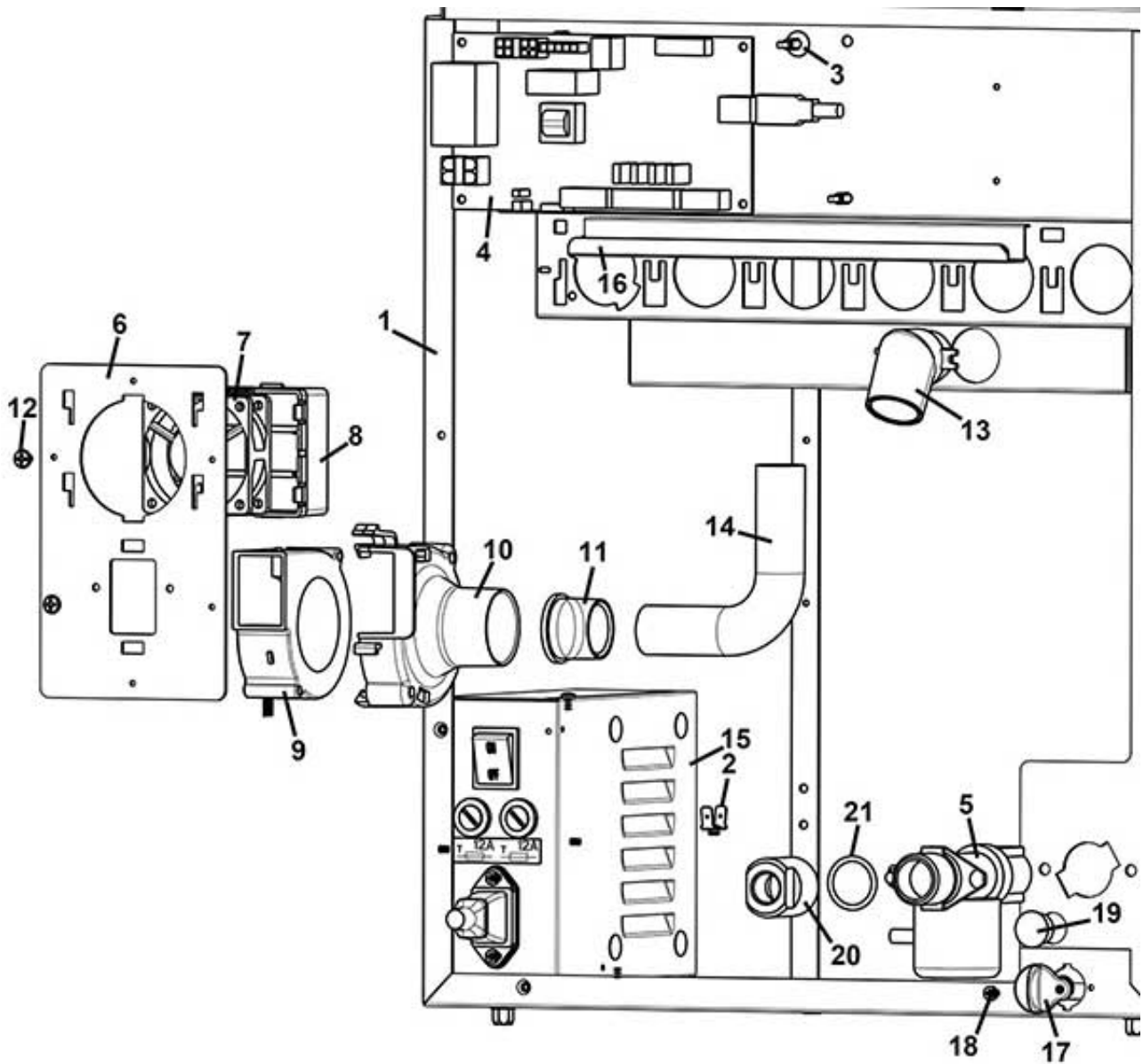
cabinet		
Pos.	Code	Description
1	Z001A122001NA	TALL UPPER LID
2	Z0010027036	TRAP DRAWER
3	Z0010027022	TRAP DRAWER REMOVABLE
4	Z0010024111CL1	§ MACHINE FOOT D.50X29 RAL9005
6	Z0090002113	MOTOR 24 DC 97 RPM
7	Z0010020029NA	GEARBOX MOTOR PLUG BLACK
8	Z0010020719	BOILER PLATE
9	Z0600014117	BOILER BRACKET
10	VIT0002009	SCREW ST HEAD CAP M3.5X6.5
11	Z0010027217	WIRING SUPPORT (BLACK)
12	Z0010024028NA	REAR PANEL RAL 9005
13	VIT0002401	SCREW ST HEAD CAP M3.5X9.5
14	Z0020039036CL	§ DRIP TRAY+SPRING BLACK
15	Z0020039035NA	DRIP TRAY GRID BLACK

UPPER COVER



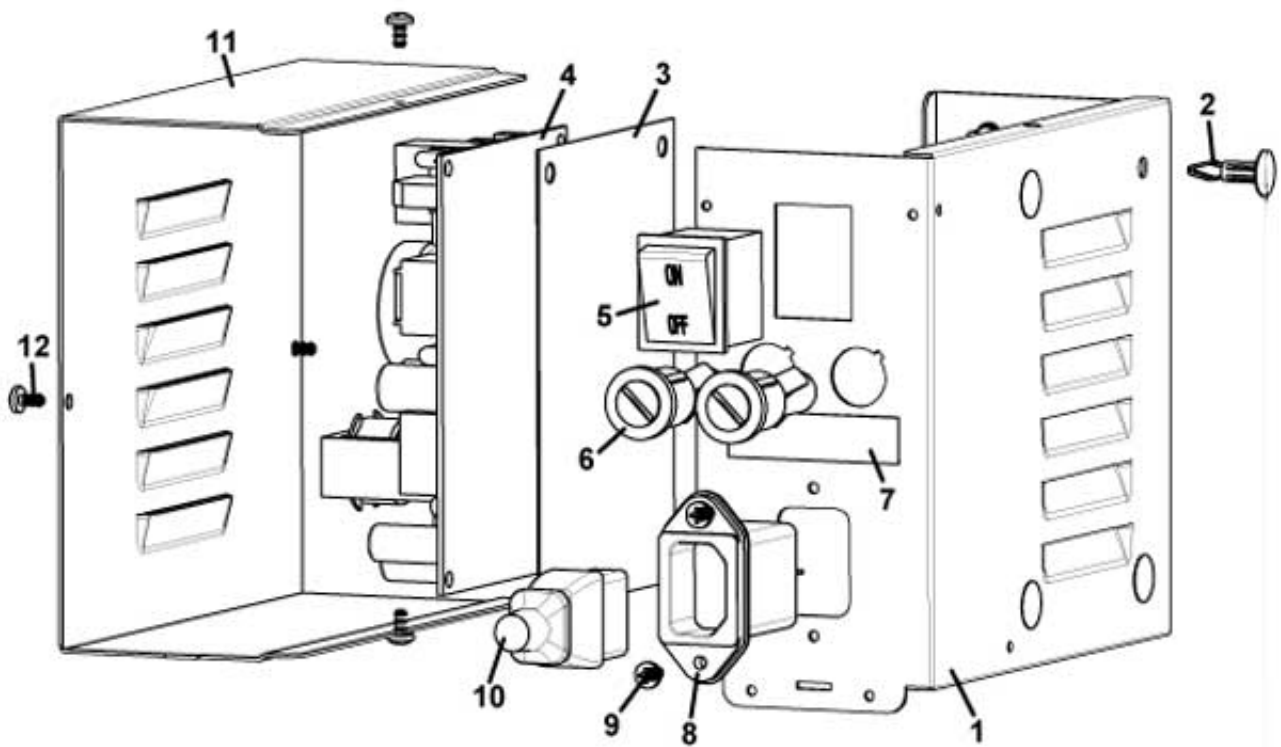
UPPER COVER		
Pos.	Code	Description
1	Z0010024116-03NA	UPPER COVER XS-08 RAL 9005
2	Z0010027344	RING PLUG
3	Z0010027343	PLUG SUPPORT COVER
4	Z0010024012	HINGE D.5,5 L.390
5	VIT0002456	SCREW HEAD TAP M3.5X25
6	ELE0002019	SWITCH 16A 250V
7	Z0010024117NA	UPPER COVER CLOSING BLACK
8	VIT0002469	SCREW HEAD TAP M3.5X10
9	Z0010024119NA	CABLE COVER
10	Z0010024118NA	INLET WATER LID XS08 RAL 9005
11	Z0020037124NA	PIN
12	Z0270011109IC	SERVICE KEY RAL2011

rear cabinet



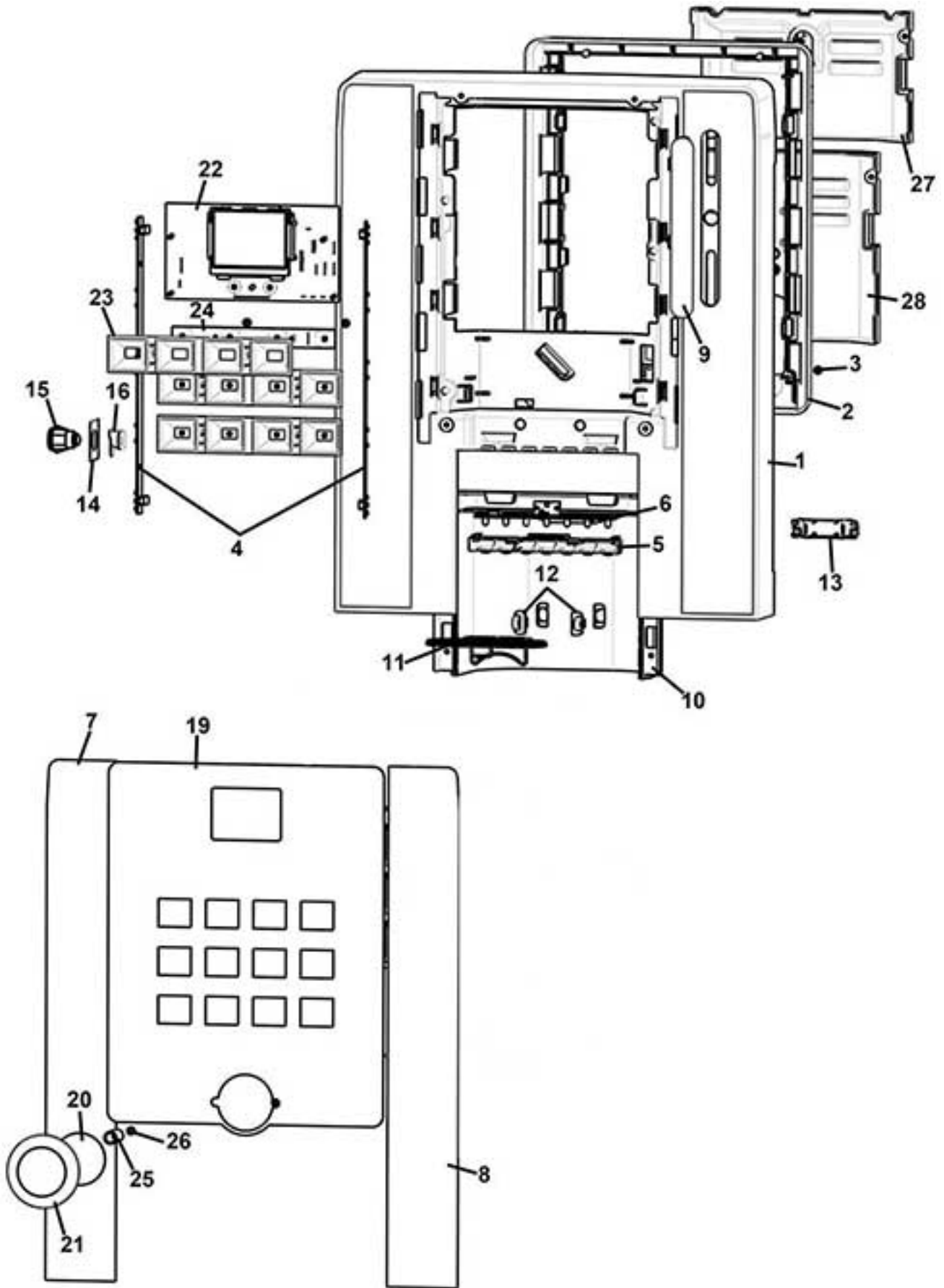
rear cabinet		
Pos.	Code	Description
1	Z001A122001NA	TALL UPPER LID
2	ELE0060520	GROUND PIN
3	ELE0062020	BOARD SUPPORT
4	SCH0007961	CPU/POWER BOARD
5	Z0110001058	WATER INLET VALVE 24V DC
6	Z0130013018NA	FAN SUPPORT BLACK
7	ELE0000462	FAN 24V DC-LOW SPEED
8	Z0010027064	FAN SUPPORT
9	ELE0000465R	§ TRAP 24V DC
10	Z0010024129NA	TRAP SUPPORT
11	Z0070020073NA	EXTRACTOR REDUCTION BLACK
12	VIT0002401	SCREW ST HEAD CAP M3.5X9.5
13	Z0010027043NA	EXTRACTOR TUBE BLACK
14	TEOL000001CL2	EXTRACTOR TUBE D.20 300MM
15		See table SWITCHING UNIT
16	Z0130013009	WIRING SUPPORT (BLACK)
17	Z0600016455	H2O OUTLET PLUG
18	VIT0002009	SCREW ST HEAD CAP M3.5X6.5
19	GUA0011010	PLUG
20	Z0100006001	F/F CYLINDRIC 3/4-3/8 CONNECTO
21	GUA0000021	OR 130 NBR AL 75 BLACK

SWITCHING UNIT



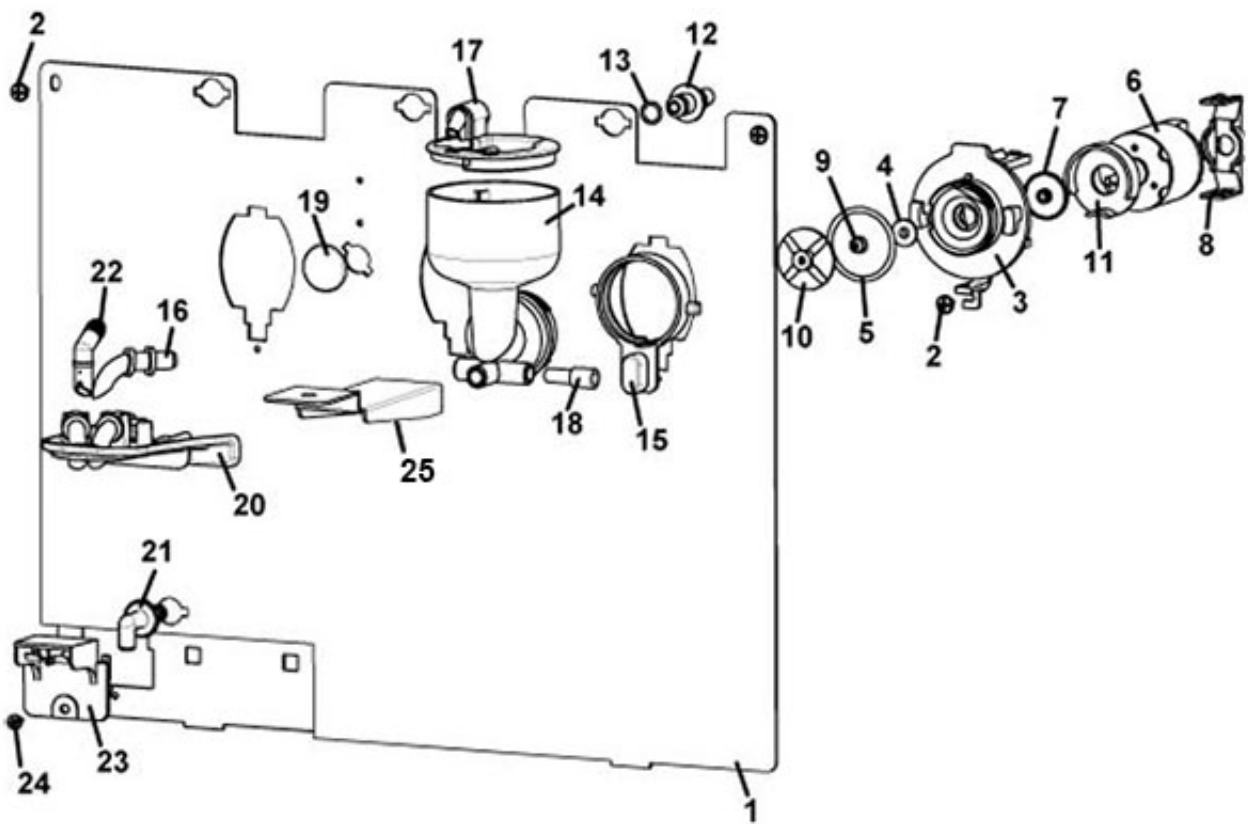
SWITCHING UNIT		
Pos.	Code	Description
1	Z0130013047-02	RIGHT SWITCHING POWER BOX
2	ELE0062020	BOARD SUPPORT
3	Z0130013014	SWITCHING BOARD COVER
4	SCH0007623-01	SWITCHING POWER BOARD 220V
5	ELE0002014	BIPOLAR SWITCH 15A 250V
6	ELE0003507CL	FUSE HOLDER+FUSE 12A
7	1010100124	FUSE 12A LABEL
8	ELE0002322	MAINS SOCKET 250V 10A
9	VIT0002009	SCREW ST HEAD CAP M3.5X6.5
10	ELE0055008	SUPPLY CABLE+PLUG+SCHUK.SOCKET
11	Z0130013043	LEFT SWITCHING POWER BOX
12	VIT0002009	SCREW ST HEAD CAP M3.5X6.5
100	Z0130013027CL	SWITCHING POWER BOX 10A Exluded pos. 10

door



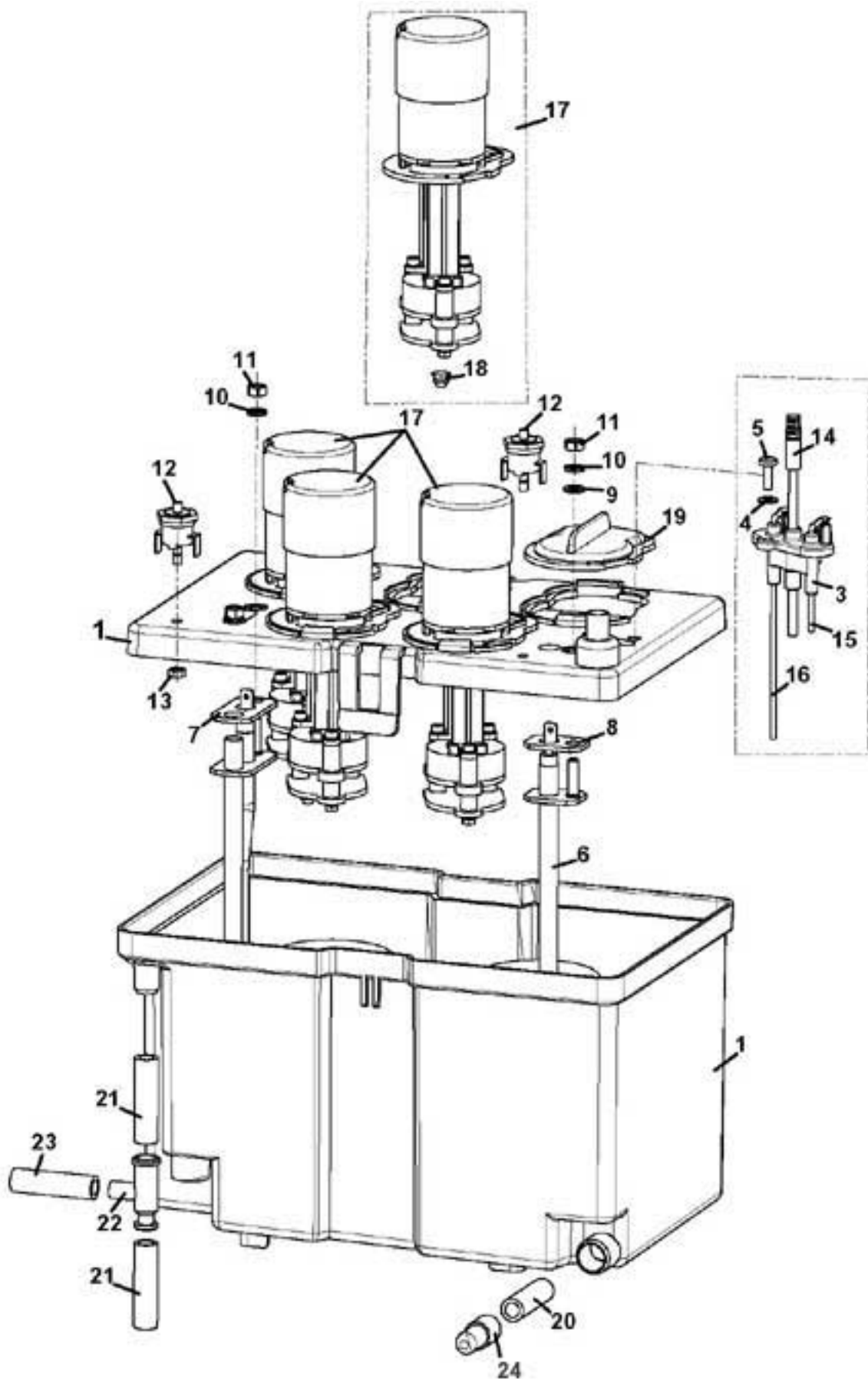
door		
Pos.	Code	Description
1	Z0020039131NA	DOOR (RAL9005)
2	Z0020039132NA	DOOR FRAME (BLACK)
3	VIT0002466	SCREW HEAD TAP M3.5X16
4	SCH0008120	LIGHTING BOARD
5	Z0020039078TR	CUP STAT.ENLIGHTENMENT SUPPORT
6	SCH0008144	LIGHTING CUP STATION BOARD
7/a	Z0020039043	LEFT PANEL RAL9005
7/b	1030000075	SIDE PANEL LEFT
8/a	Z0020039049	RIGHT PANEL W/O LOGO RAL9005
8/b	1030000074	SIDE PANEL RIGHT
9	Z0020039537NA	COIN ENTRY BLANK.PLATE
10	Z0020039071NA	CUPS STATION FRAME BLACK
11	Z0020039072NA-02	CUP SUPPORT BLACK
12	Z0020039073NA	CUP SUPPORT PIN BLACK
13	Z0020039087IC	CUP SUPPORT STOPPER
14	Z0020037014	LOCK PLATE
15	SER0000024/1	LOCK INOX RVI MM20 C.3374
16	Z0020037015	LOCK PLATE
19	1030000160R	§PLEX+CAP.KEYPD+BLACK PANEL
20	1030000297	BL LOGO
21	Z0020039084CL	§ DOOR LOGO FRAME
22	SCH0009983	3,5" DISPLAY BOARD
23	Z0020037675AB	LIGHT BUTTONS GUIDE
24	SCH0010060	KEYPAD LIGHTING BOARD
25	Z0020039137	SPACER
26	VIT0002461	SCREW HEAD TAP M4.2X26
27	Z0020039134IC	UPPER DOOR RAL2011
28	Z0020039076-01NA	LOWER INTER. DOOR COVER BLACK

mixer plan



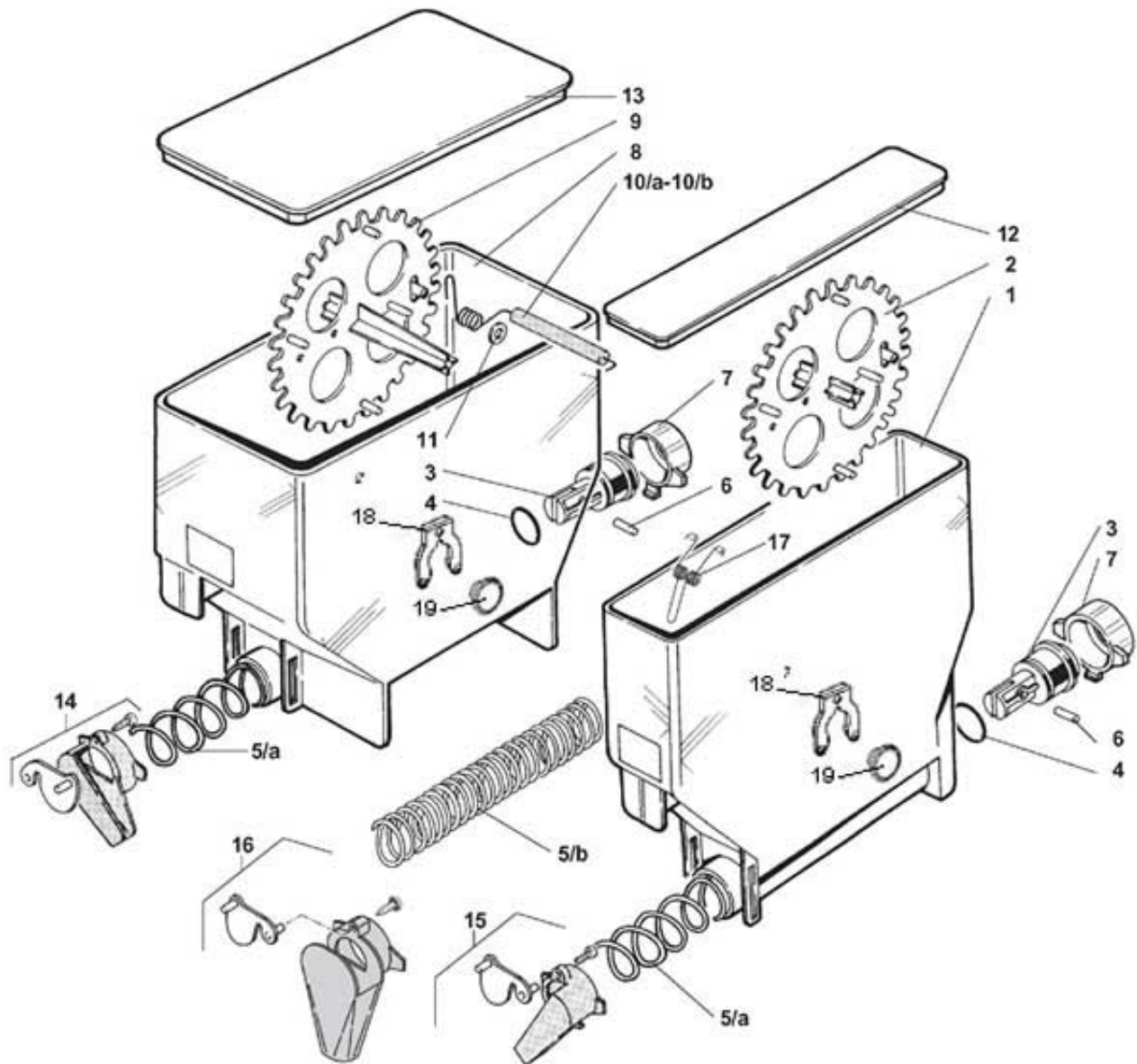
mixer plan		
Pos.	Code	Description
1	Z0080200002NAR	MIXER PLATE SUPPORT+TUBE
2	VIT0002401	SCREW ST HEAD CAP M3.5X9.5
3	Z0080100005	MOTOR MIXER BASE
4	Z0080100015	MIXER BUSH
5	GUA0000084	OR 3131 RED SILICONE A60
6	Z0090003023	MIXER MOTOR 24V DC SHAFT D.4
7	Z0080100024	MIXER FAN
8	Z0080100009IC	MIXER MOTOR SUPPORT RAL2011
9	Z0080100101	MIXER SHAFT GASKET
10	Z0080100011	MIXER FAN
11	Z0080100023IC	MIXER COVER RAL2011
12	Z0080100043	MIXER CONNECTOR BLACK
13	GUA0000085	OR 106 RED SILICONE A70
14/a	Z0080200110L	MIXING BOWL L.W/H20 BREAKER
14/b	Z0080200111R	MIXING BOWL R.W/H20 BREAKER
14/c	Z0080200112C	MIXING BOWL F.W/H20 BREAKER
15	Z0080100006IC	LOCK RING RAL2011
16	Z0010020052	PRODUCT NOZZLE
17	Z0080100042	MIXER RING W/PIPE X4,25 BLACK
18	Z0080100095	TUBE REDUCER D.4
19	Z0080100035NA	CONNECTOR PLUG BLACK
20	Z0020039552	NOZZLES HOLDER (BLACK)
21	Z0080100084	90° CONNECTOR
22	Z0020039533	SPOUT DELIVERY 30° D.6
23	Z0010020836CL	§ DRIP TRAY SENSOR SUPPORT
24	VIT0002009	SCREW ST HEAD CAP M3.5X6.5
25	Z0080200007NA	HOSES SUPPORT
100	Z0080100001R	§ MIXER BOWL BASE+MOTOR From pos.3 to pos. 11

boiler



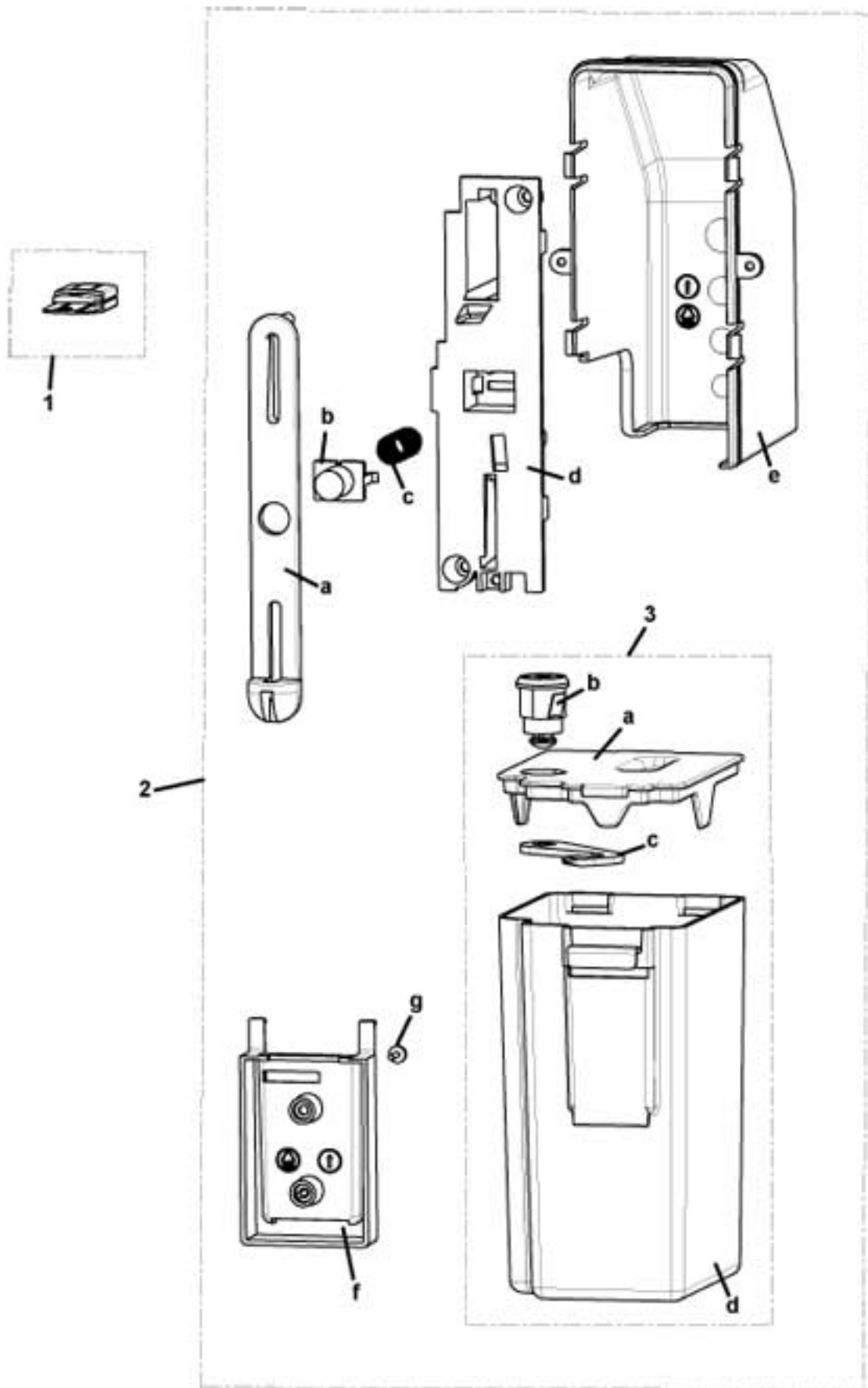
boiler		
Pos.	Code	Description
1	Z0600014111R	§ TANK+BOILER COVER
3	Z0600016089	PROBE SUPPORT
4	VIT0003211	WASHER 4,3X9X0,8
5	VIT0001005	SCREW HEAD TAP CAP M4X12
6	Z0600016138R	§ HEATING ELEMENT 1600W 230V
7	Z0600014113	HEATING ELEM GASKET
8	Z0600014114	HEATING ELEM GASKET
9	VIT0003203	WASHER 5,3X10X1
10	VIT0003111	SPRING WASHER 5,3
11	VIT0004804	NUT M5
12	ELE0000965	CLIXSON 88°
13	VIT0004816	NUT M4
14	ELE0000963R	§ TEMPERATURE PROBE+SENSOR
15	Z0600016054	MAXIMUM LEVEL PROBE
16	Z0600016053	MINIMUM LEVEL PROBE
17	Z0600016405R	§ BOILER PUMP
18	Z0080100101	MIXER SHAFT GASKET
19	Z0600016422	PUMP LID
20	TSIL10/14T	SILICON HOSE 10X14
21	TSIL07/11T	SILICON HOSE 7X11
22	Z0600016028	T CONNECTOR
23	TSIL05/08T	SILICON HOSE 5X8
24	650001057	DRAINER PLUG
100	Z0600014200CL2	§ BOILER PLUMBED 3PUMP 230V
101	Z0600014200CL3	§ BOILER UNPLUMBED 3PUMP 230V
102	Z0600014201CL2	§ BOILER PLUMBED 4PUMP 230V

products container



products container		
Pos.	Code	Description
1	Z0230030500	INGREDIENT CANISTER 54 190
2	Z0230030236AB	§ WHEEL MM54
3	Z0230030012	SPIRAL PIN
4	GUA0000083	OR 123 RED SILICONE A70
5/a	Z0230030014	SPIRAL 18
5/b	Z0230030013	SPIRAL 9
6	VIT0005106	PIN 2X14
7	Z0230030011	REAR BUSH
8	Z0230030520	INGREDIENT CANISTER 110-190
9	Z0230030237AB	§ WHEEL MM110
10/a	Z0230030064	AGITATOR 112 - RIGHT OUTLET
10/b	Z0230030062	AGITATOR 112 - LEFT OUTLET
11	VIT0003210	WASHER 8,4X16X1,6
12	Z0230030156	CANISTER 54 LID
13	Z0230030158	CANISTER 110 LID
14/a	Z0230030058R	§ INGRED. CHUTE-RIGHT ORANGE
14/b	Z0230030044R	§ INGREDIENT CHUTE-RIGHT RED
15/a	Z0230030057R	§ INGREDIENT CHUTE-LEFT ORANGE
15/b	Z0230030043R	§ INGREDIENT CHUTE-LEFT RED
16	Z0230030059R	§ INGRED. CHUTE-FRONTALORANGE
17	Z0230030060-05	MIXER
18	Z0230030239	WHEEL PIN FORK
19	Z0230030238	WHEEL PIN
100	Z0230030522R	§ CAN. 110-190 AGIT.18 W/LID-R
101	Z0230030525R	§ CAN. 110-190 AGIT.18 W/LID-L
102	Z0230030506R	§ CANIS. 54-190 WHEEL18 W/LID
103	Z0230030502R	§ CANIS. 54-190 WHEEL9 W/LID
104	Z0230030503R	§ CANIS. 54-190 AGIT.9 W/LID

OPTIONAL KIT



OPTIONAL KIT		
Pos.	Code	Description
1	Z0020040310CL/1	RHEA FLASH MEMORY
2	D2109600A0000	KIT W/FIT W/O MECH RAL9005
2/a	Z0020035031NA	COIN ENTRY PLATE BLACK
2/b	Z0020035033CM	COIN RETURN BUTTON RAL9006
2/c	Z0020035034	COIN RETURN BUTTON SPRING
2/d	Z0020035032NA	PAYM SYSTEM SUPPORT
2/e	Z0020039510NA	PAY. SYSTEM COVER BLACK
2/f	Z0020039528NA	COIN BOX SUPPORT
2/g	VIT0002452	SCREW HEAD TAP M3.5X12
3	Z0020039525R	§ COIN BOX
3/a	Z0020039527NA	COINS BOX LID BLACK
3/b	SER0000015	LOCK MM20 C.3430
3/c	Z0020037128	COIN BOX HOOK
3/d	Z0020039526NA	COIN BOX RAL 9005

WIRINGS

WIRINGS		
Pos.	Code	Description
1	CBLXS00203	WIRING 230V
2	CBLXS00204	WIRING 24V
3	CBLXS00206	ACTUATOR WIRING 24V
4	CBLXS00311	SUPPLY DOOR 5/24V WIRING
5	CBLXS00209	DOOR SWITCH WIRING
6	CBLXS00228	LED BOARD WIRING
7	CBLXS00278	POWER SUPPLY WIRING
8	CBLXM00108	LOGO ENLIGHTENMENT WIRING
9	CBLXM00109	LIGHTING LABELS SHORT WIRING
10	CBLXM00110	MED LABELS ENLIGHTENING WIRING
11	CBLXM00111	LABELS ENLIGHTENMENT WIRING