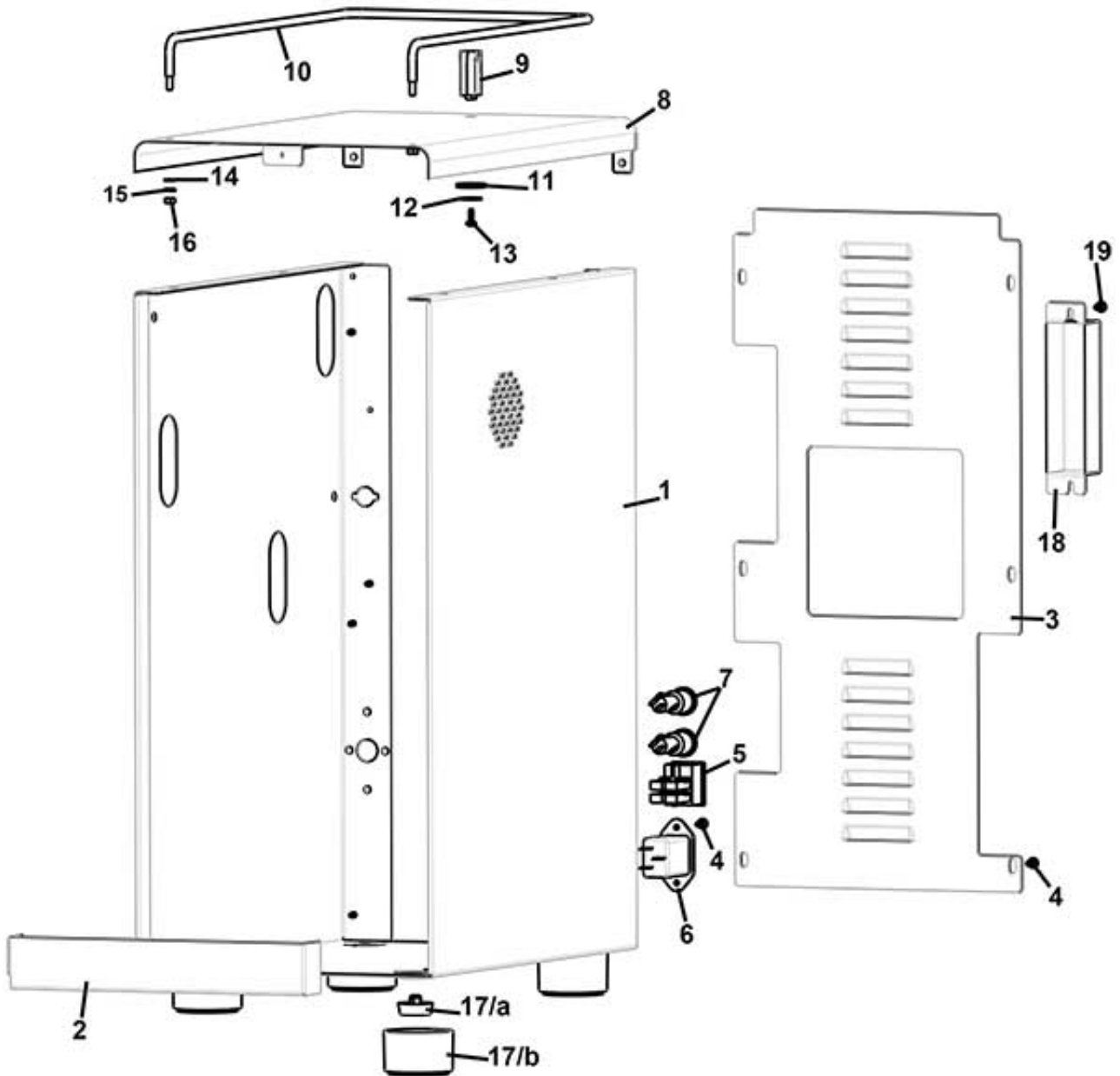


vending machine



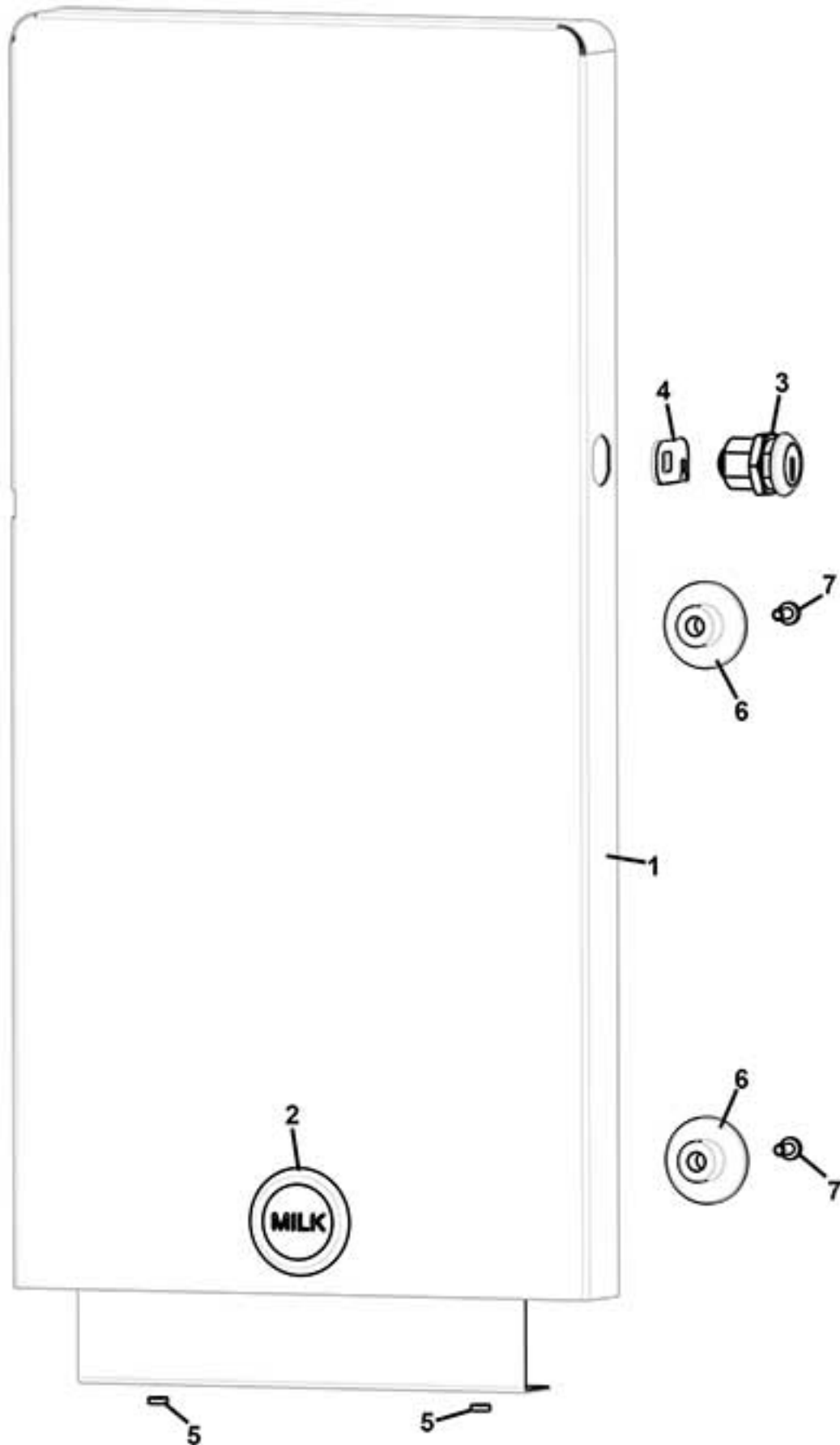
spare parts manual

MODULE STRUCTURE



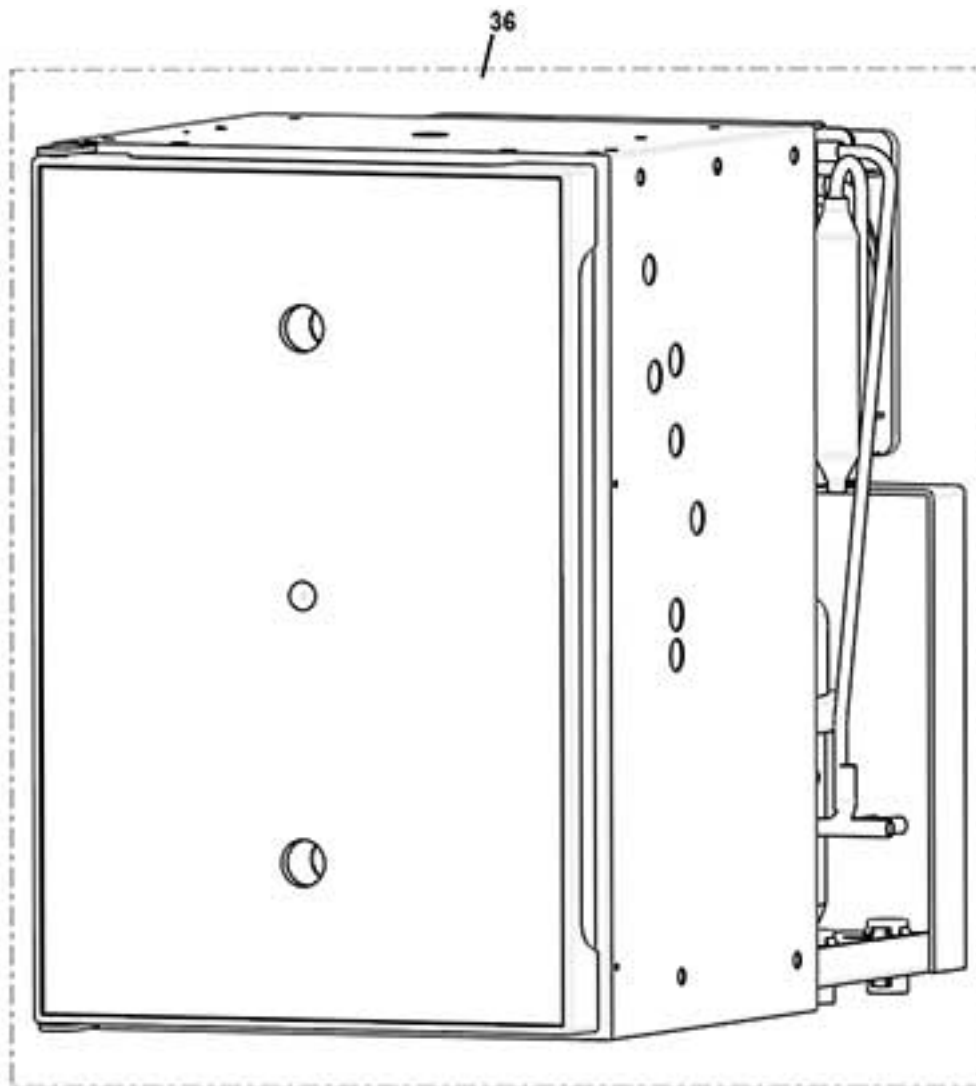
MODULE STRUCTURE		
Pos.	Code	Description
1	Z0010028480NA	CABINET RAL 9005
2	Z0010028487NA	FEET COVER (BLACK)
3	Z0010028489NA	REAR DOOR (BLACK)
4	VIT0002010	SCREW ST HEAD CAP M3.5X9.5
5	ELE0002020	BIPOLAR SWITCH 20A 250V
6	ELE0002315	MAINS SOCKET 115/250V 10A
7	ELE0003508CL	FUSE HOLDER+FUSE 12A
8	Z0010028492-02CM	UPPER LID (RAL9006)
9	Z0010027272AG	RING SUPPORT TRASPARENT
10	Z0010028495	RAIL
11	VIT0003007	WASHER 10,5X21X2
12	VIT0003302	WASHER 5,5X15X1,6
13	VIT0002466	SCREW HEAD TAP M3.5X16
14	VIT0003003	WASHER 4,3X8X0,8
15	VIT0003103	SPRING WASHER 4,3
16	VIT0004503	NUT M4
17/a	GUA0011011	MACHINE FOOT D.25 For EC version
17/b	Z0010024111CL1	§ MACHINE FOOT D.50X29 RAL9005 For XS GRANDE version
18	Z0010028372NA	STEAM COVER (BLACK)
19	VIT0000012	SCREW HEAD TAP CAP M4X10

DOOR MODUL ON CAPPUCCINO



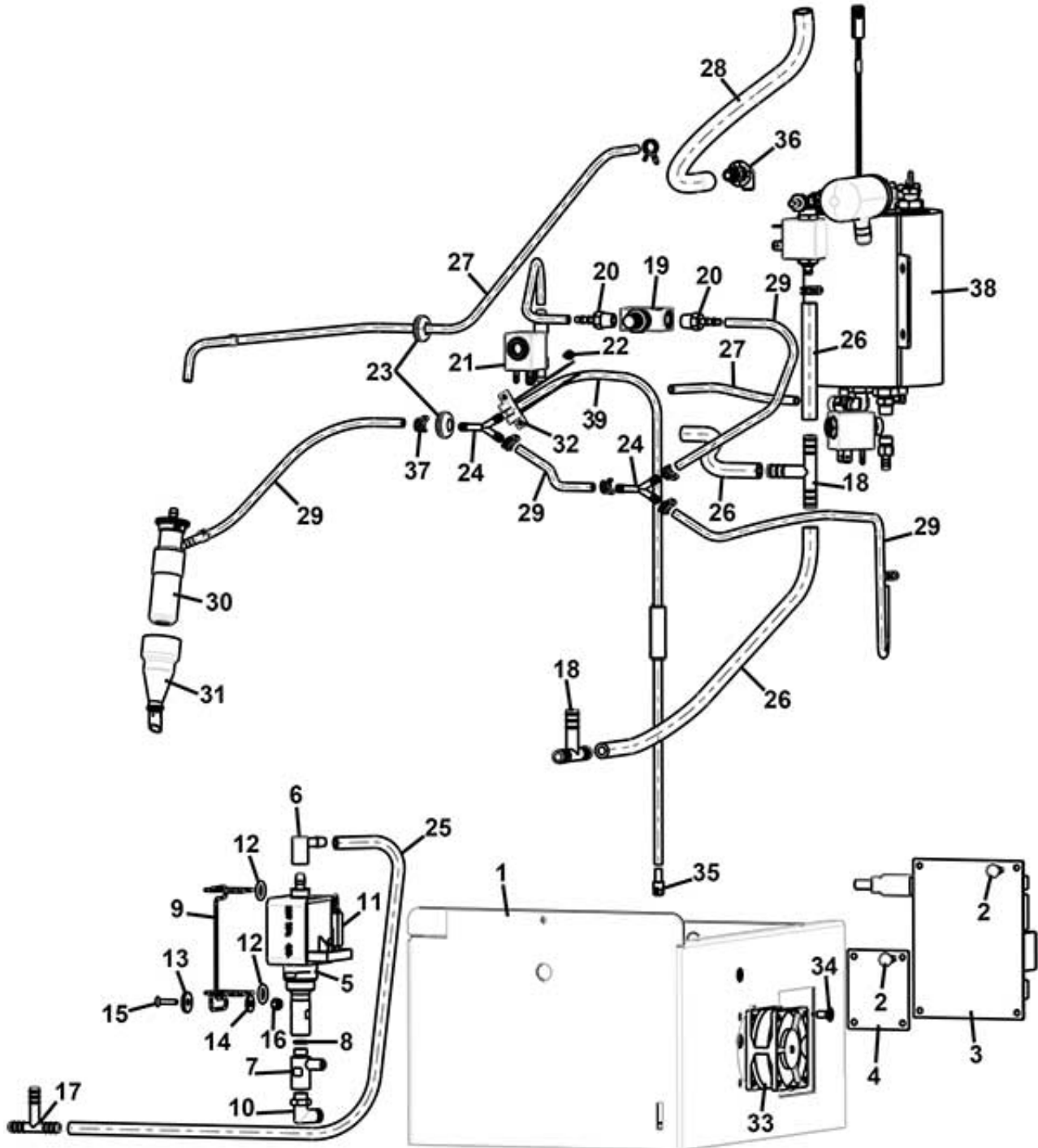
DOOR MODUL ON CAPPUCCINO		
Pos.	Code	Description
1	Z0010028483CM	CAPPUCCINO DOOR
2	1030000071	"MILK" ADHESIVE LOGO
3	SER0000028	LOCK MM20 C.3480
4	Z0010028488	LOCK BRACKET
5	Z0320001666	SPACER D.4x7x2
6	2500002003	BEARING
7	VIT0000012	SCREW HEAD TAP CAP M4X10

REFRIGERATOR



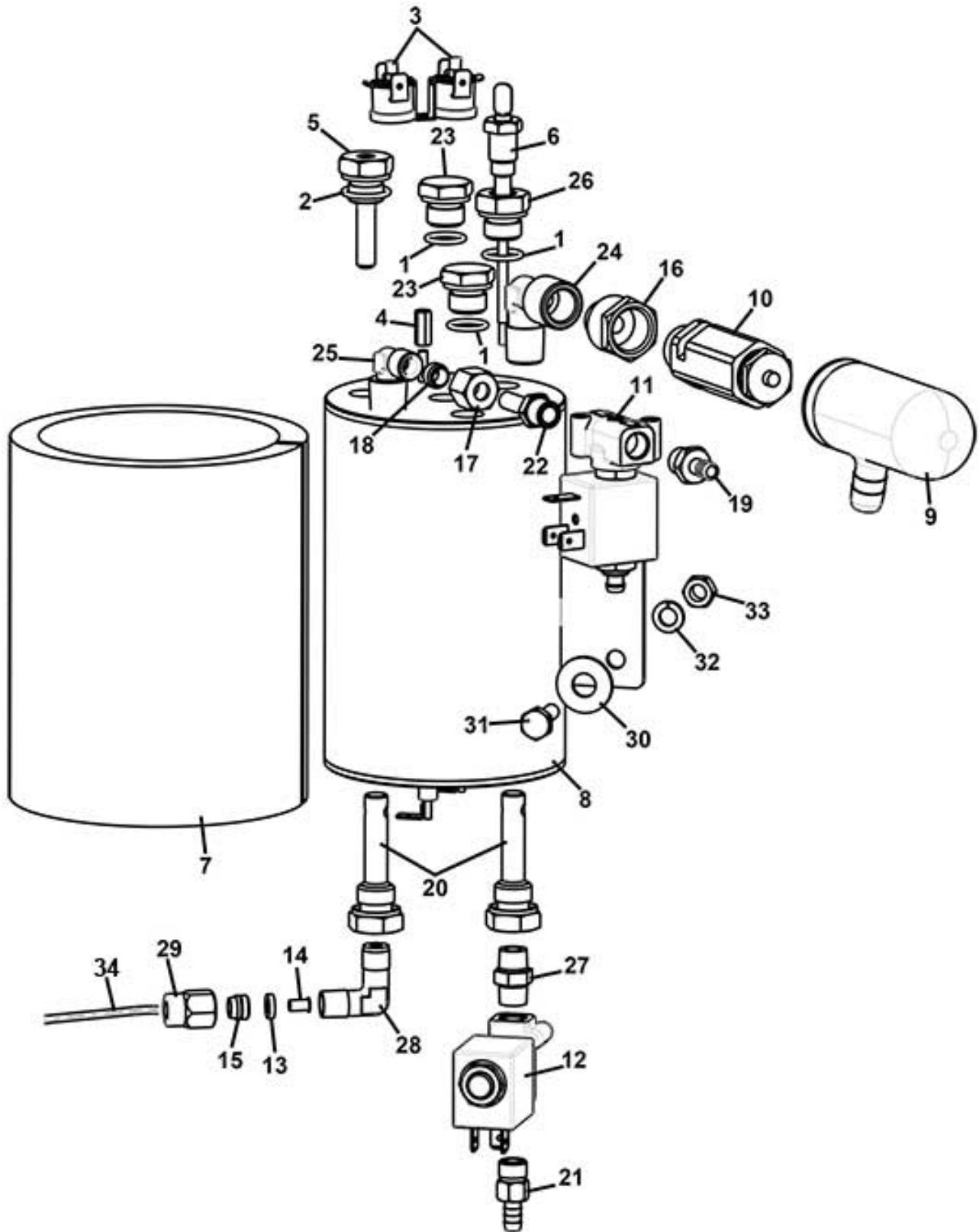
REFRIGERATOR		
Pos.	Code	Description
1	Z0550050071	REFRIGERATOR 230V
2	Z0800012050	MILK CANIST + LID 4L

HYDRIC CIRCUIT



HYDRIC CIRCUIT		
Pos.	Code	Description
1	Z0260012324NA-02	HYDRAULIC SUPPORT (BLACK)
2	ELE0062020	BOARD SUPPORT
3	SCH0007605	BOARD
4	SCH0005060	H2O LEVEL BOARD
5	Z0110004041	PUMP EX5 230V-50HZ
6	Z0110004023	CONNECTOR
7	Z0110004092	VALVE
8	GUA0000085	OR 106 RED SILICONE A70
9	Z0110004038	PUMP SUPPORT
10	Z0100001109CL	§ELBOW CONNECTOR 6-1/8+OR
11	ELE0000915	PUMP THERMOPROTECTOR
12	GUA0000043	OR 109 NBR AL 75 BLACK
13	1600001098	RUBBER SPACER D. 4,5
14	VIT0003301	WASHER 4,3X12X1,5
15	VIT0000108	SCREW COUNT FLAT HEAD M4X16
16	VIT0004815	NUT M4
17	Z0100003022	T CONNECTOR 461 TS UL
18	Z0100003023	T CONNECTOR 462 TS UL
19	Z0600019719	NSF FLOW REGULATOR
20	Z0100001125	RUBBER HOLDER CONN. NYLON 1/8M
21	Z0110001127	VALVE 2WAY 24V DC
22	VIT0002011	SCREW ST HEAD CAP M2.9X9.5
23	GUA0010002	CORE HITCH
24	Z0100001107	""Y"" FITTING"
25	TSIL06/09TC	SILICON HOSE 5,6X8,8
26	TSIL06/11T	SILICON HOSE 6X11
27	TSIL04/06T	SILICON HOSE 4X6
28	TSIL10/14T	SILICON HOSE 10X14
29	TSIL03/06T	SILICON HOSE 3X6
30	Z0380020007N	CAPUCCINO NOZZLE (NATURAL)
31	Z0380020002	BODY MILKER
32	ELE0004002R	§ MILK TUBE SENSOR
33	ELE0000462	FAN 24V DC-LOW SPEED
34	VIT0002115	SCREW TSP 4,8X16
35	Z0380020010	MILK INOX NOZZLE
36	Z0080100084	90° CONNECTOR
37	FASC000111	TUBE FIXING CLIP
38		See table STEAM BOILER
39	Z0380020020R	MILK INLET TUBE
100	Z0380020007R1	KIT CAPPUCCINO NOZZLE Pos.30+31 (sold in a 6 pieces packging)

STEAM BOILER



STEAM BOILER		
Pos.	Code	Description
1	GUA0000119	OR 114 VITON
2	GUA0000062	OR 2056 VITON
3	ELE0009035	CLIXSON 145°
4	Z0600019715	SPACER
5	ELE0000983	TEMPERATURE INOX PROBE 3K3
6	Z0600019713	LEVEL PROBE MM.94
7	Z0600019712	BOILER HOUSING INSULATION
8	Z0600019711	STEAM BOILER 230V
9	Z0110004091	SECURITY VALVE PROTECTION
10	Z0110004090	SECURITY VALVE
11	Z0110001128	VALVE 3W 1/8 24V DC 6W
12	Z0110001126	VALVE 2W 1/8 24V DC 6W
12/a	Z0110010150	SLEEVE
12/b	Z0110010145	COIL 6W 24V DC 70%
12/c	Z0110010124	§ CORE
13	Z0100003002	COPPER GASKET SO5-5-1/8
14	Z0100002005	NUT D.4
15	Z0100002002	LOCKING RING SO1-6
16	Z0100001126	STRAICHT RED. CONN. 1/4M-3/8F
17	Z0100001123	LOCKING NUT
18	Z0100001122	LOCKING RING
19	Z0100001120	RUBBER HOLDER CONNECTION 1/8M
20	Z0100001119	BOILER INJECTION
21	Z0100001118	RUBBER HOLDER D.0,8 1/8M
22	Z0100001117	ADJUSTABLE CONNECTION
23	Z0100001116	PLUG
24	Z0100001115	CONNECTION L MF 1/4-1/4
25	Z0100001114	CONNECTION L D.6 1/4M
26	Z0100001113	REDUCTION NIPPLE FM 1/8-1/4
27	Z0100001084	NIPPLE 1/8
28	Z0100001019	ELBOW CONNECTOR SO2400-6-1/8
29	Z0100001002	CONNECTOR NUT
30	GUA0005031	ISOLATION GASKET 20x8,5x1,5
31	VIT0000222	SCREW M 6X20 H.H.
32	VIT0003453	SPRING WASHER 6,4
33	VIT0004505	NUT M6
34	TTEF04/06T	PTFE PIPE 4X6