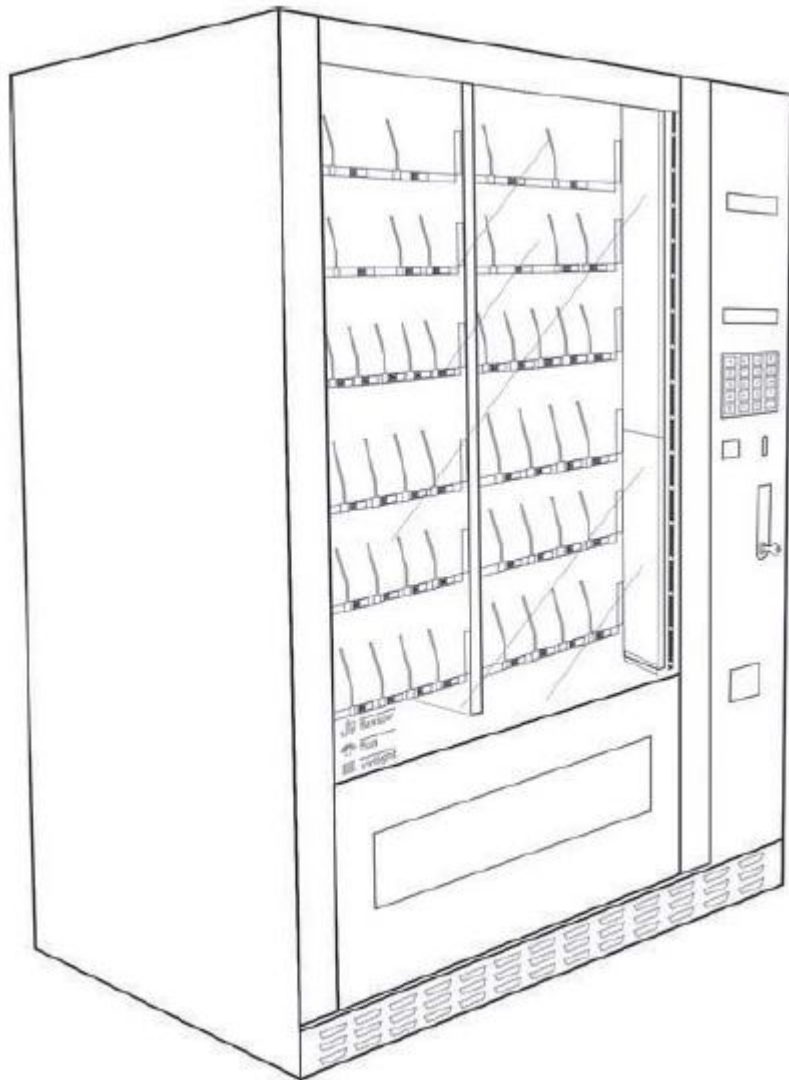
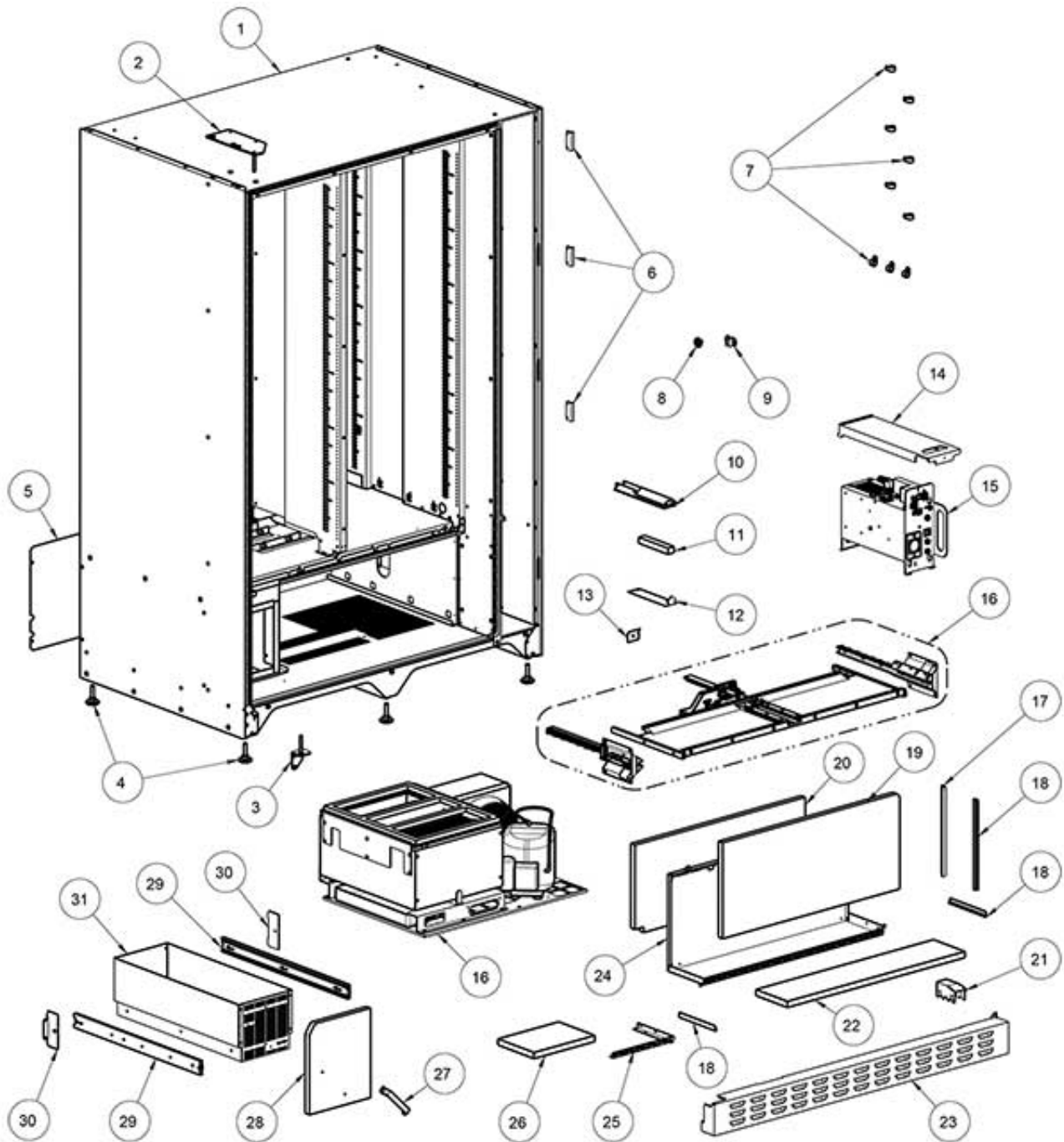


vending machine



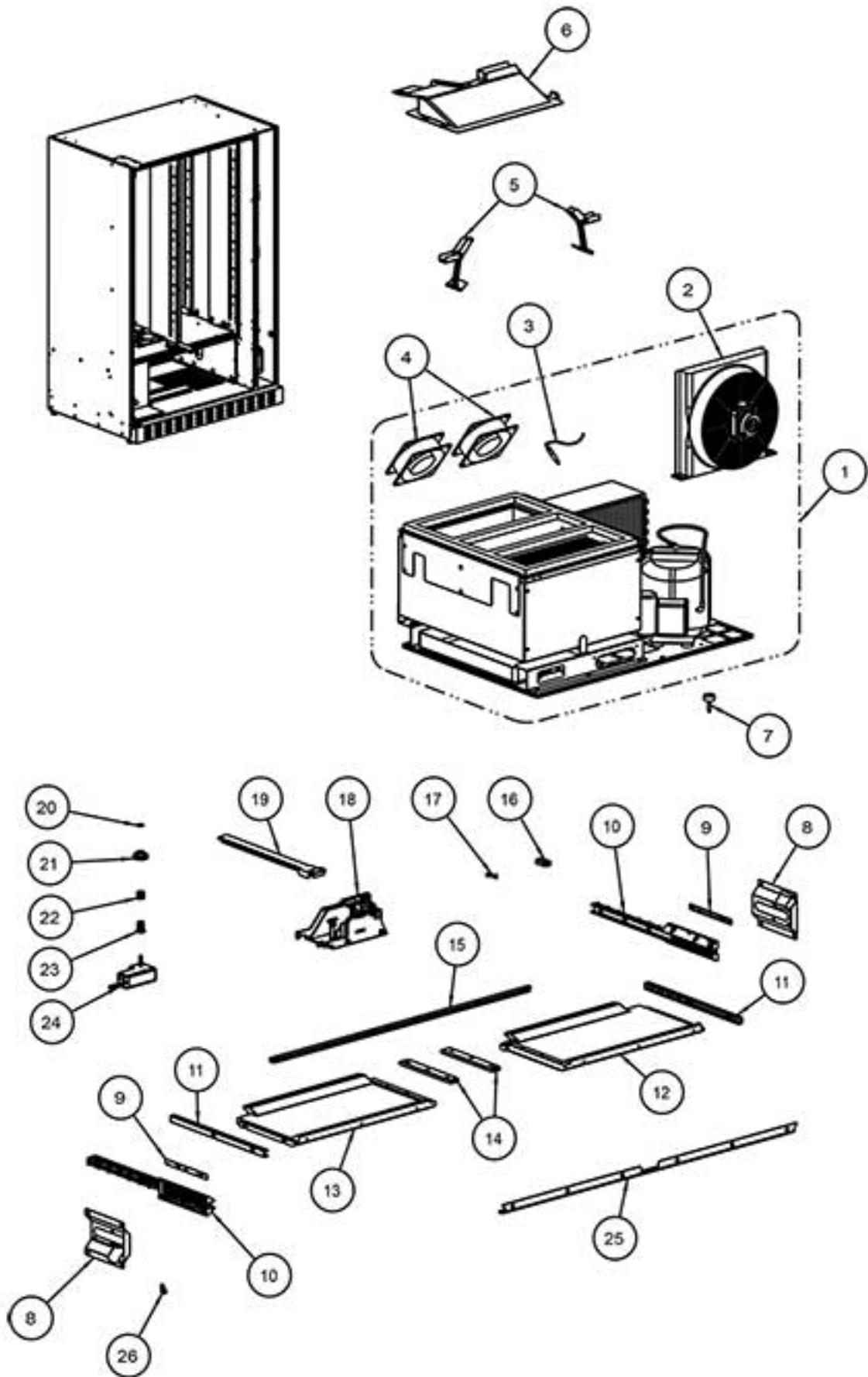
spare parts manual

cabinet



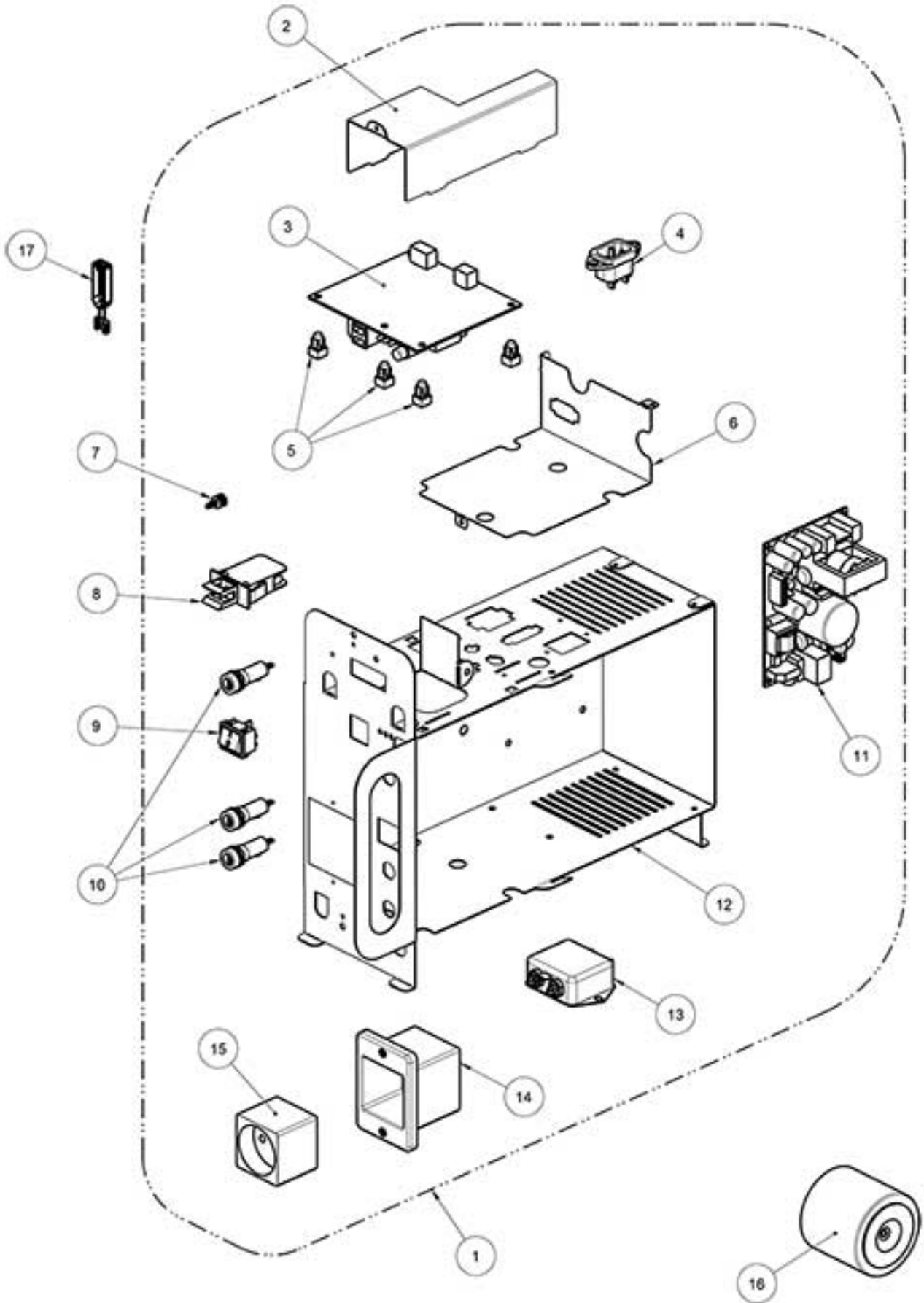
cabinet		
Pos.	Code	Description
1	Z001D605360NA	CABINET UNIT WITH INTERIOR
2	Z001D605022XD	DOOR UPPER HINGE
3	Z001D605026XD	DOOR LOWER HINGE
4	Z0010013208	MACHINE FOOT
5	Z001D605007	CABINET REAR GRID
6	Z001D605012	BRACKET HOOKING SLIDING FRAME
7	FASC000557	Clips for cable D. 15,9 (WHC-625-01)
8	H61302015	DRAWER SLIDING WHEEL
9	Z002D605021	WHEEL SUPPORT SLIDING FRAME
10	Z001D605015NA	ANTI-THEFT PANEL CENTRAL GUIDE
11	Z001D605088	INSULATING VEOLENE 25X140 SP20
12	Z001D605018	ADHESIVE INSULATING PLASTIC
13	Z001D605019	VERTICAL INSULATING PLASTIC
14	Z001D605021	DUCT CABLE COVER
15	Z001D605400CL1	§ ELECTRICAL BOX COMPLETE 230V
16		See table REFRIGERATOR
17	Z001D605028	CLOSING FRIDGE BRACKET BEATING
18	H501530023	GASKET 18XD.6
19	Z001D605079	INSULATION VERT.CLOS.REFRIGAT.
20	Z001D605083	VERTICAL INSULATION FRIDGE C.
21	Z001D605029	SLIDE FOR DOOR WHEEL
22	Z001D605080	HORIZONTAL INSUL.CLOS FRIDGE
23	Z001D605009NA	CABINET FRONT SKIRTING
24	Z001D605023	CLOSURE COOLING UNIT PANEL
25	Z001D605024	DX CLOSURE COOLING UNIT PANEL
26	Z001D605084	HORIZONTAL BASE INSULATION
27	H61121013-VCM	HANDLE
28	Z001D605065	DRAWER LOWER INSULATING
29	H501500068	Guides for EUR7 sliding door (BeeSlide)
30	Z001D605056	LOWER DRAWER GUIDE BRACKET
31	Z001D605055	DRAWER LOWER FRAME

REFRIGERATOR



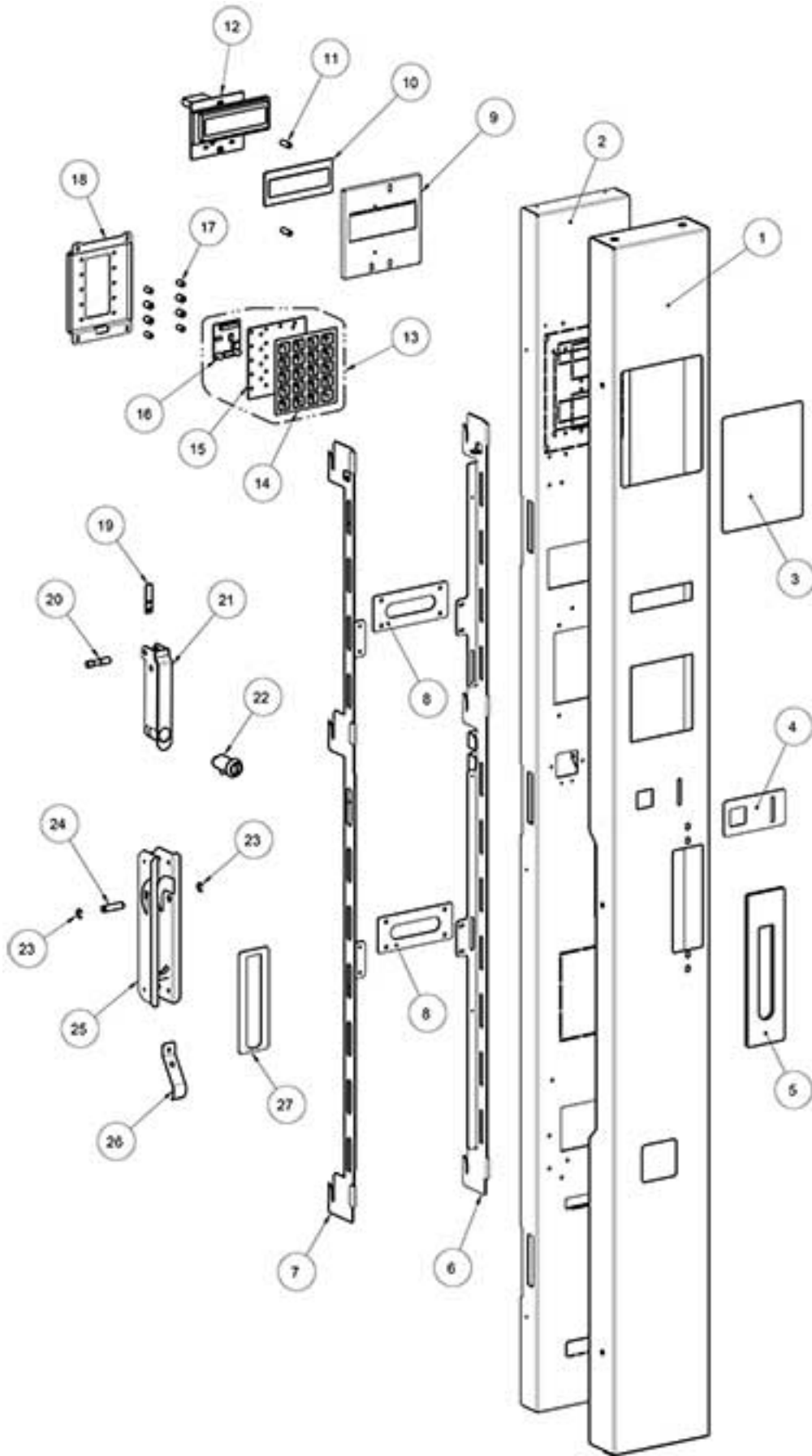
REFRIGERATOR		
Pos.	Code	Description
1	FRID605001	COOLING UNIT GAS134A
2	ELE0000484	FAN FOR COOLING UNIT
3	H00069030	PROBE FOR COOLING UNIT
4	H601400005-4E	FAN FOR COOLING UNIT
5	Z001D601424	HOOK GROUP ASSEMBLY FRIDGE
6	Z001D605060	VENTILATION DUCT
7	H00040090	SCREW KNOB M6 X 20
8	Z001D605025NA	FTCA GUIDE SUPPORT
9	H00067041	IR FTCA BARRIER BOARD
10	H601500042	GUIDE SLIDING PANEL-SUPPORT FTCA
11	H501500034	SKATER FOR ANTITHEFT SLIDING PANEL
12	Z001D605011	RIGHT ANTI-THEFT SLIDING PANEL
13	Z001D605010	LEFT ANTI-THEFT SLIDING PANEL
14	Z001D605016	SKATER FOR ANTI-THEFT PANEL
15	Z001D605014NA	PANEL REAR REINFORCEMENT
16	H00027003	MICROSWITCH CROUZET
17	ELE0001906	MICROSWITCH LEVER
18	H501500032	SLIDING ANTI-THEFT MOTOR SUPPORT
19	Z001D605017	RACK ROD FOR ANTI-THEFT(SHORTE
20	H501500047	WASHER 6X10X1
21	H501500036	ANTI-THEFT SLIDING PANEL GEARW
22	H501500046	SPRING FOR SLIDING PANEL GEARW
23	H501500037	SHAFT FOR GEARWHEEL
24	H601510019	GEAR MOTOR 24VDC 287RPM
25	Z001D605013NA	PANEL FRONT REINFORCEMENT
26	DAM0000042	CABLES CLIP

Electrical box



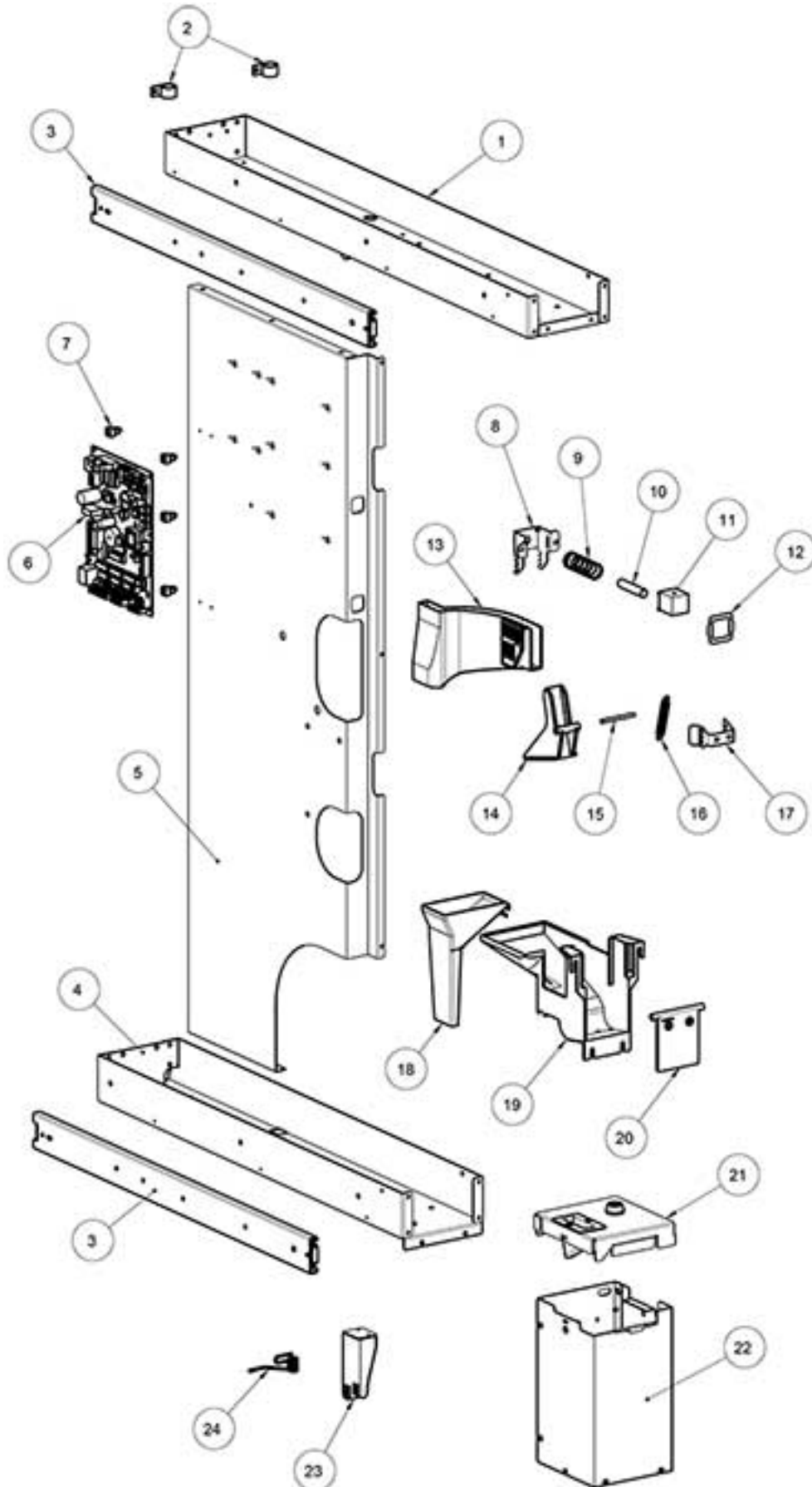
Electrical box		
Pos.	Code	Description
1	Z001D605400CL1	§ ELECTRICAL BOX COMPLETE 230V
2	Z002D605039 Z002D605039	SAFETY SWITCH COVER
3	H00065009	POWER BOARD
4	H00020071	PANEL PLUG WITH SCREWS
5	H00040092	SPACER H.6,4
6	Z002D605019	ELECTRICAL BOX SEPARATOR
7	H00025055	SPACER H.6
8	ELE0002009	BIPOLAR SWITCH 15A 250V
9	H00027030	ELECTRICAL BOX SWITCH
10	H00029006	FUSE HOLDER
11	SCH0009921-01	SWITCHING BOARD 220V
12	Z002D605020	ELECTRICAL BOX FRAME
13	ELE0009065	NOISE FILTER 6A FN2030-6-06
14	ELE0002307	ELECTRIC SOCKET 2 POSITION
15	ELE0002319	SOCKET
16A	H601511005-1E	TRANSFORMER 230/24V 60W
16B	H501510030-1E-RIC	Kit option for Executive EUR7
17	H00027007	SAFETY SWITCH KEY

MODULE AESTHETIC



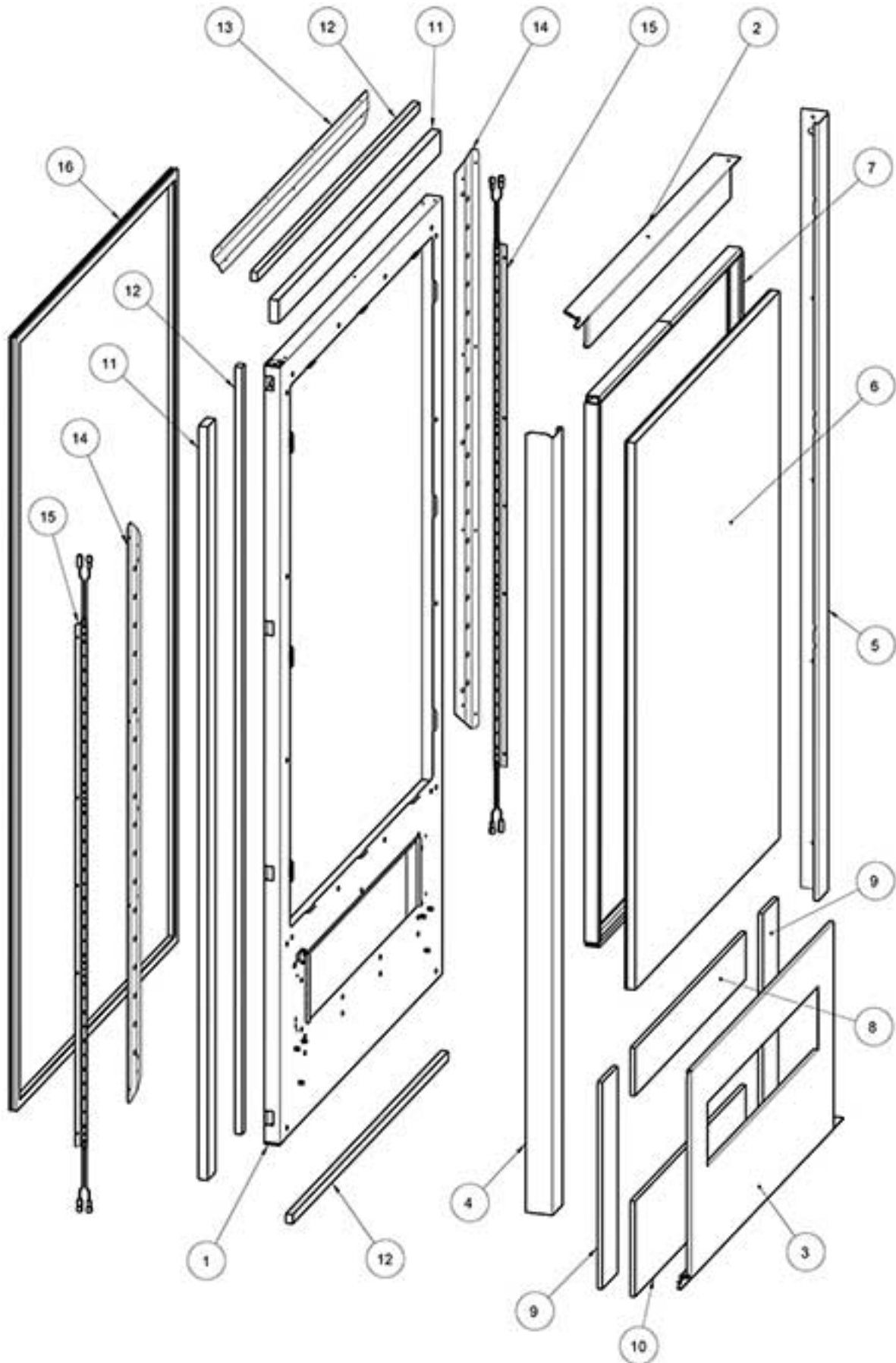
MODULE AESTHETIC		
Pos.	Code	Description
1	Z002D605030NA	PAYM.MODULE FRONT AESTHETIC
2	Z002D605010	SLIDING FRONT FRAME
3	Z002D605037NA	COVER READER BANKNOTES
4	Z002D605044	REDUCTION COINS INOX PLATE
5	Z002D605038NA	EXTERNAL HANDLE FRAME
6	Z002D605015	RIGHT LEVER FOR HANDLE
7	Z002D605013	LEFT LEVER FOR HANDLE
8	Z002D605014	TRAVERSE FOR LEVER HANDLE
9	Z002D605032	DISPLAY SUPPORT
10	Z0020030271	PLEXIGLASS DISPLAY
11	H00040083	NYLON SPACER 3,7X6,4 H.17,5
12	H00061041	DISPLAY BOARD
13A	H601151008NA	K-SENS KEYPAD (20 BUTTONS) GRE
13B	H601151008AE	K-SENS KEYPAD(20 BUTTONS) BLUE
14	H00018060NA	ADHESIVE SERIGR KEYBOARD 20 KEYS
15A	H00068008NA	K-SENS KEYPAD (20 BUTTONS)
15B	H00068008AE	K-SENS KEYPAD (20 BUTTONS)
16	H00067057	INTERFACE BOARD
17	H00040071	SPACER 8 X 11
18	Z002D605033	KEYBOARD SUPPORT
19	H75130008	STOP FOR HANDLE
20	Z002D605025	PIN FOR HANDLE
21A	H601130012-VNA	HANDLE FRAME D.7,5 RAL9005
21B	H601130009-VNA	HANDLE FRAME D.9,5 RAL9005
22A	SER0000035	LOCK MOD.4000
22B	H13130001	LOCK
22C	SER0000003	LOCK c.7851
23	VIT0006506	RING 7
24	H00040059	HANDLE PIN 8X32
25	Z002D605009	INTERNAL HANDLE FRAME
26	H61130010	SPRING FOR HANDLE
27	Z002D605029	THICKNESS LATCH HANDLE

SLIDING MODULE

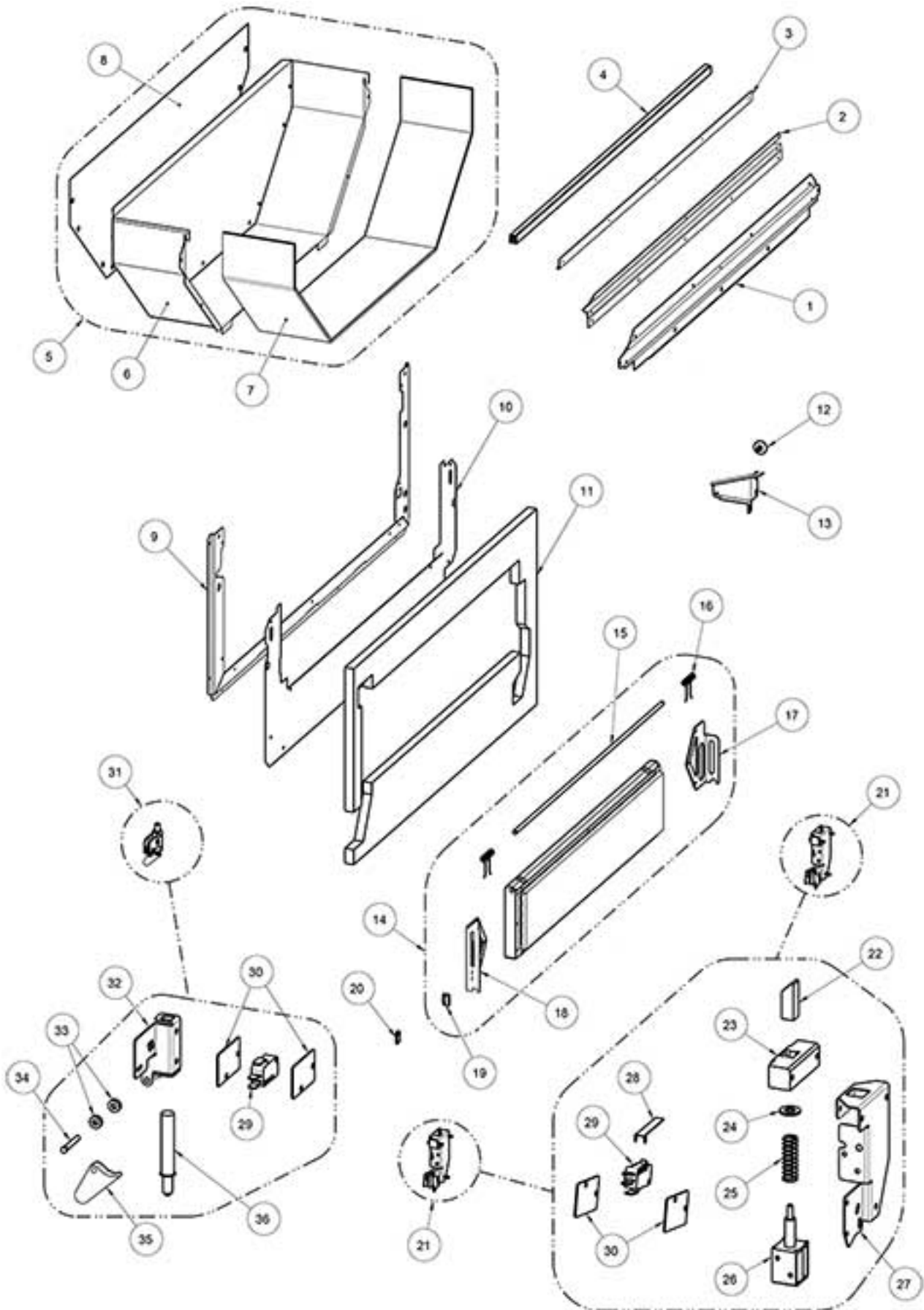


SLIDING MODULE		
Pos.	Code	Description
1	Z002D605016	UPPER SLIDING BEAM
2	FASC000557	Clips for cable D. 15,9 (WHC-625-01)
3	H501500068	Guides for EUR7 sliding door (BeeSlide)
4	Z002D605017	LOWER SLIDING BEAM
5	Z002D605018	SLIDING LATERAL FRAME
6	SCH0010430	CL1 CPU FLASH ELECTRONIC CARD
7	H00040092	SPACER H.6,4
8	Z002D605035	COIN REJECTION SUPPORT
9	H00016005	SPRING PUSH BUTTON R/R
10	H00040082	COIN RETURN PIN
11	4050010072XC	COIN RETURN BUTTON CHROMO
12	Z002D605034	DIAPHRAGM FOR R/R SUPPORT
13	H502120031	EUR7-MPE Coin channel
14	H502120033	EUR7-MPE Change return lever square
15	H61120040	EB coin rejection lever pin
16	H00016006	TRACTION SPRING FOR RETURN LEVER
17	H502120039	EUR7-MPE Spring for change return lever
18	H502120042	COIN BOX CHUTE
19	H502120041	COINS RETURN CHUTE
20	Z0020038144XC	COINS RETURN FLAP CHROME
21A	H502120017	COIN BOX LID
21/B	H502120018	COIN BOX LID
22	Z002D605105CL	§ COIN BOX COMPLETE
23	Z002D605022	SAFETY SWITCH BRACKET
24	H502100043	SAFETY SWITCH BRACKET

Door Unit

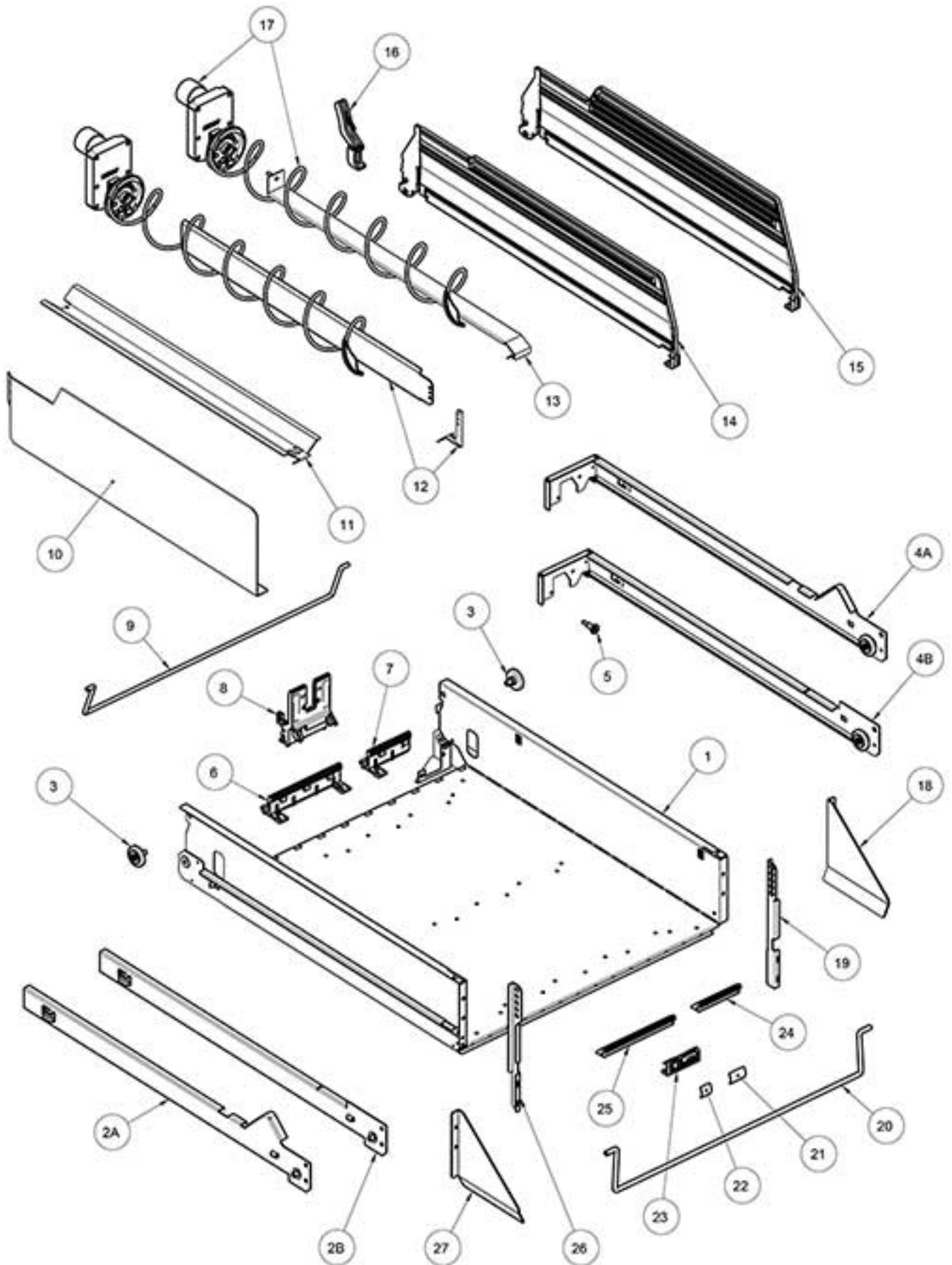


Door Unit		
Pos.	Code	Description
1	Z002D605069NA	DOOR FRAME COMPLETE
2	Z002D605070NA	HORIZONTAL UPPER AESTHETIC
3	Z002D605071NA	HORIZONTAL LOWER AESTHETIC
4	Z002D605072NA	LEFT VERTICAL AESTHETIC
5	Z002D605073NA	RIGHT VERTICAL AESTHETIC
6	Z002D605045	DOUBLE GLAZED GLASS-CASE
7	Z002D605046	GLASS-WINDOWS SEAL
8	Z002D605091	INSULATION 2 LOWER AESTHETIC
9	Z002D605090	INSULATION 1 LOWER AESTHETIC
10	Z002D605092	INSULATION 3 LOWER AESTHETIC
11	Z002D605098	INSULATION 20 X 50 (METER)
12	Z002D605097	INSULATION 20 X 15 (METER)
13	Z002D605042	HORIZONTAL TOP GLASS HOLDER
14	Z002D605041	VERTICAL GLASS HOLDER
15	Z002D605101CL	§ LAMP LED SUPPORT COMPLET
16	Z002D605060	EXTERNAL MAGNETIC GASKET



selvage group		
Pos.	Code	Description
1	Z002D605043	HORIZONTAL LOWER GLASS HOLDER
2	Z002D605080	ANTITHEFT GASKET SUPPORT
3	Z002D605062	SEAL SUPPORT
4	Z002D605061	CENTRAL MAGNETIC GASKET
5	Z002D605102CL	§ DISPENSER UNIT ASSEMBLY
6	Z002D605083	ASSEMBLY PRODUCT BOX
7	Z002D605055	PRODUCT BOX INSULATOR
8	Z002D605054	PRODUCT BOX BACK WALL ADHESIVE
9	Z002D605067	SUPPORT LOWER GASKET
10	Z002D605063	DOOR LOWER INTERIOR
11	Z002D605093	INSULATION DOOR LOWER INTERIOR
12	H61302015	DRAWER SLIDING WHEEL
13	Z002D605065	DOOR WHEEL SUPPORT
14	Z002D605100CL	§ PRODUCT FLAP COMPLET
15	Z002D605056	PRODUCT FLAP D.8 ROD
16	H601100044	SPRING FOR PRODUCT FLAP
17	Z002D605059XC	COUPLER PLATE SX ELECTROMAGN.
18	Z002D605058XC	COUPLER PLATE DX ELECTROMAGN.
19	H00017065	MAGNET
20	DAM0000048	REED SENSOR MK04U-1A71
21	H601100036	MAGNET GROUP FOR BLOCK 'PUSH'
22	H601100039-VXC	HEAD FOR ELECTROMAGNET PIVOT
23	H601100053	GUIDE BLOCK FOR PIN MAGNET
24	VIT0003301	WASHER 4,3X12X1,5
25	H601100034	SPRING FOR PIVOT OF ELECTROMAG
26	DAM0000021	ELECTROMAGNET
27	H601100030	ELECTROMAGNET BLOCK 'PUSH' SUP
28	H00027015	MICROSWITCH LEVER
29	H00027003	MICROSWITCH CROUZET
30	H00012002	MICROSWITCH PLATE
31	H601100046	COMPLETE PISTON OF SLOWING-DOW
32	H601100031	SUPPORT FOR PISTON OF SLOWING-
33	H00040081	PVC SPACER 4,5X9,5 H.3
34	H00040041	STAINLESS PIN M5X27
35	H601100038	LEVER FOR PISTON OF SLOWING-DO
36	H601100041	Piston of slowing-down BLM

Flexspir Drawer Unit



Flexspir Drawer Unit		
Pos.	Code	Description
1	Z840D605110	LXL6 DRAWER (SHEET METAL WITH GUIDES)
2A	H501301003C	DRAWER RECLINING LEFT-HAND GUIDE WITH WHEEL
2B	H501300003C	DRAWER FIXED LEFT-HAND GUIDE WITH WHEEL
3	H61302015	DRAWER SLIDING WHEEL
4A	H501301005C	DRAWER RECLINING RIGHT-HAND GUIDE WITH W.
4B	H501300005C	DRAWER FIXED RIGHT-HAND GUIDE WITH WHEEL
5	H00040065	SPACER 12,5X8
6	H601300036	RACK SUPPORT FOR DRAWER MOTOR
7	Z840D605036	CUT RACK SUPPORT FOR DRAWER MOTOR
8	H601300035	SUPPORT SINGLE-MOTOR DRAWER
9	Z840D605012	SUPPORT CABLE ROD FOR DRAWER
10	H601300024-VNA	METAL PRODUCTS SEPARATOR
11	H601300008-VNA	PRODUCT CONVEYOR SPIRAL
12	H601301026	SPIRAL SEPARATOR COMPLETE
13	H601300017	PRODUCT SUPPORT BRIDGE STAINLESS STEEL
14	H601301019	PLASTIC PRODUCT SEPARATOR (LOW)
15	H601301024	PLASTIC PRODUCT SEPARATOR (HIGH)
16	H601301020	LEVER FOR PLASTIC SEPARATOR
17		See table Spiral unit
18	Z840D605013	RIGHT DIVERTER ON PLASTIC
19	H601300066-VNA	RIGHT LOW SUPPORT FOR BOTTLE DROP STOPPER
20	Z840D605011	STOPPER BOTTLES ROD FOR DRAWER
21	H601320021	SHEET PRICES
22	Z840D605211	SHEET POSITIONS
23	H601300016	PRICE HOLDER DRAWER
24	Z840D605037	CUT RACK SUPPORT FOR PRICE HOLDER
25	H601300037	RACK SUPPORT FOR PRICE HOLDER
26	H601300065-VNA	LEFT LOW SUPPORT FOR BOTTLE DROP STOPPER
27	Z840D605014	LEFT DIVERTER ON PLASTIC

Spiral unit		
Pos.	Code	Description
1/A	H61311024-VNA	RIGHT SPIRAL D.65 P.24
1/B	H61311032-VNA	RIGHT SPIRAL D.65 P.32
1/C	H61311045-VNA	RIGHT SPIRAL D.65 P.45
1/D	H61311060-VNA	RIGHT SPIRAL D.65 P.60
1/E	H61311079-VNA	RIGHT SPIRAL D.65 P.78,5
1/F	H61311091NA	RIGHT SPIRAL D.65 P.94
1/G	H61311117NA	RIGHT SPIRAL D.65 P.117
1/H	H61311067NA	RIGHT SPIRAL D65P67 7 STEPS
2	H601300029	SPIRAL MOTOR SHAFT
3	H601300012	SPIRAL ATTACHMENT RING NUT
4	H601300034	FRICTION FOR SPIRAL ATTACHMENT
5	VIT0003512	NYLON WASHER 12,7X35X1,5
6	H61302011	GEAR MOTOR 24VDC
7	H601300031	TOOTHED WHEEL FOR SPIRAL
8	H601300032	SUPPORT FOR TOOTHED WHEEL
9/A	H61312024-VNA	LEFT SPIRAL D.65 P.24
9/B	H61312032-VNA	LEFT SPIRAL D.65 P.32
9/C	H61312045-VNA	LEFT SPIRAL D.65 P.45
9/D	H61312060-VNA	LEFT SPIRAL D.65 P.60
9/E	H61312079-VNA	LEFT SPIRAL D.65 P.78,5
9/F	H61312091NA	LEFT SPIRAL D.65 P.94
9/G	H61312117NA	LEFT SPIRAL D.65 P.117
10	H60300043	SPIRAL SHOVEL