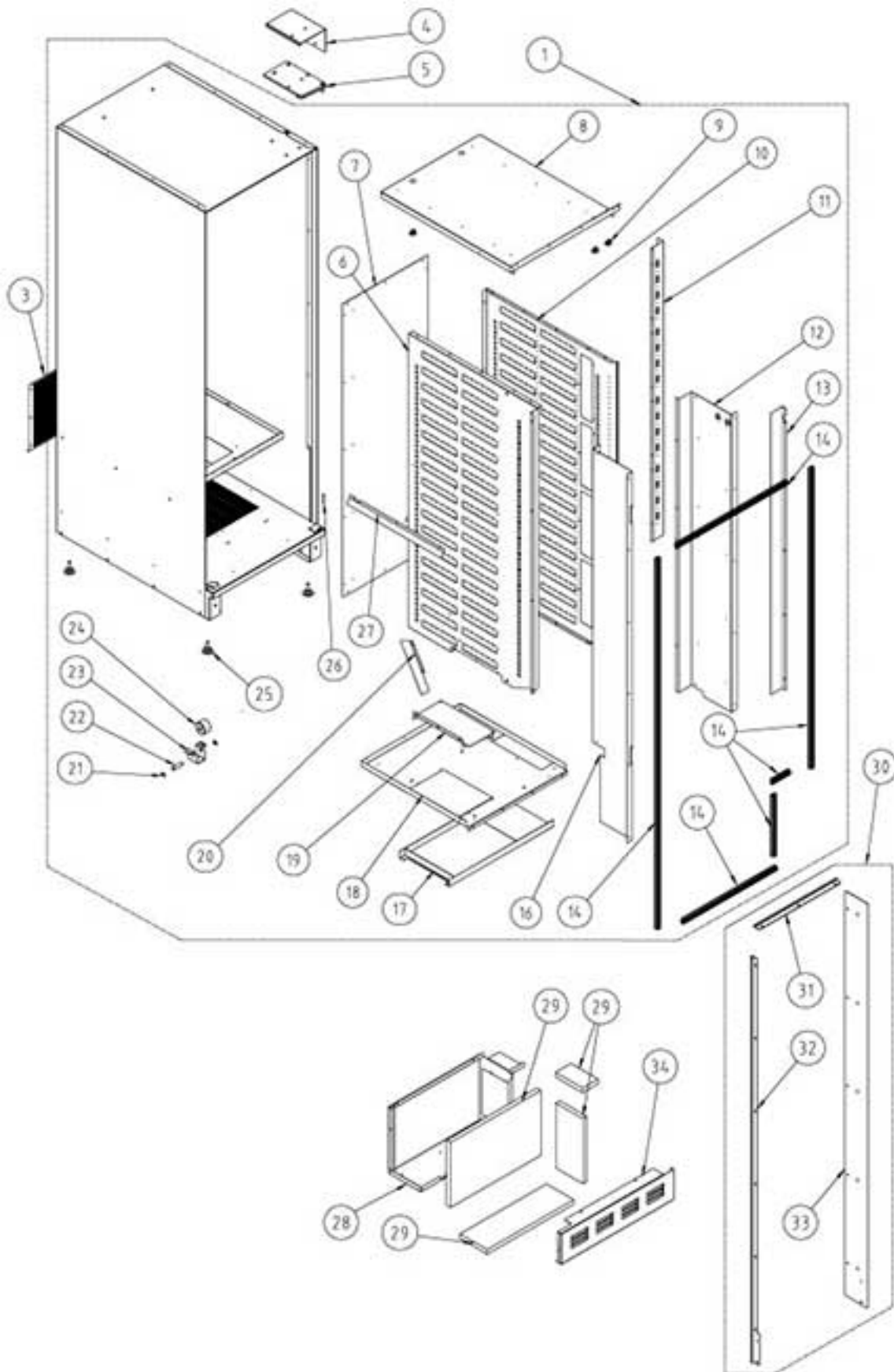


vending machine



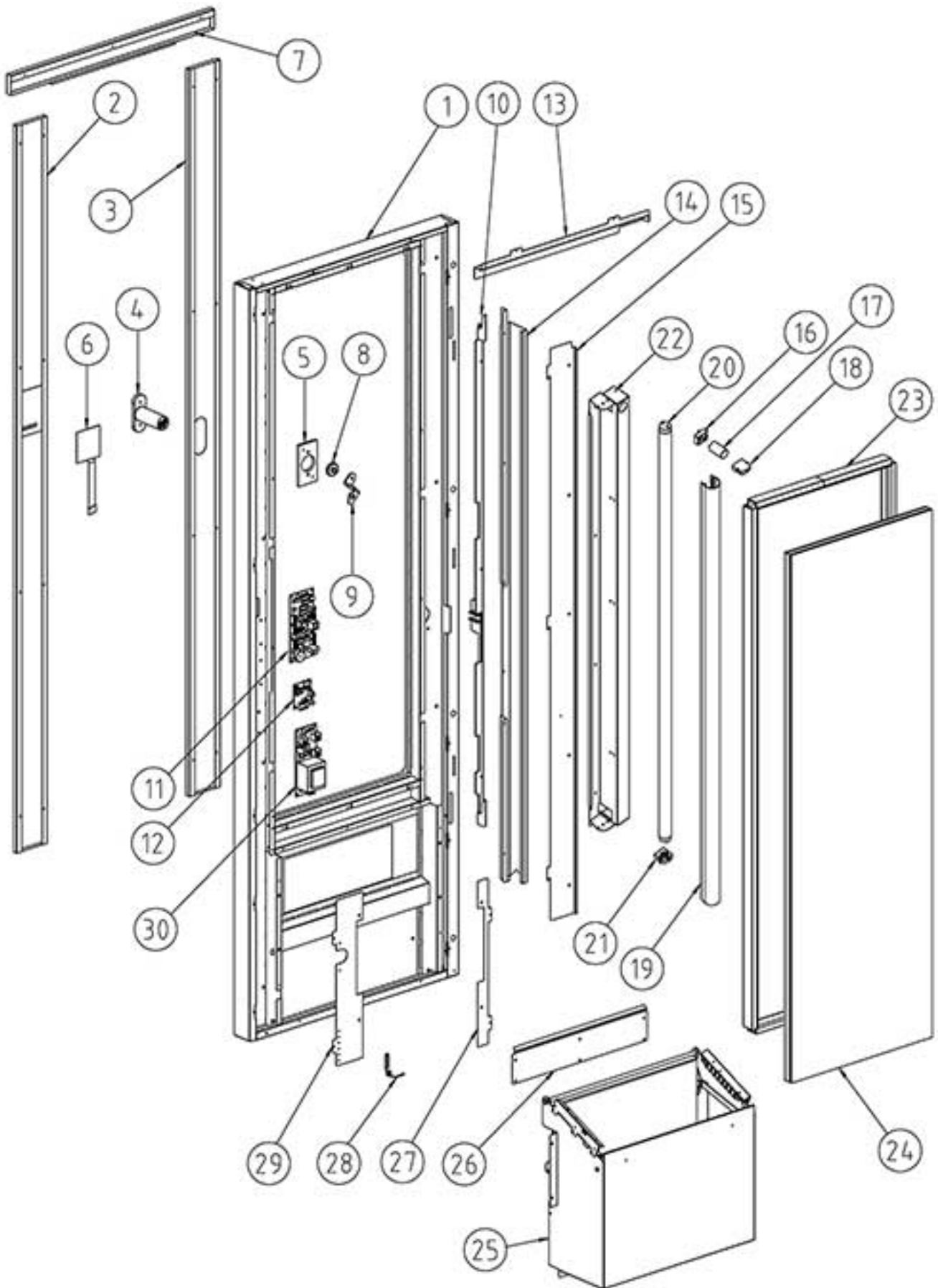
spare parts manual

Cabinet unit



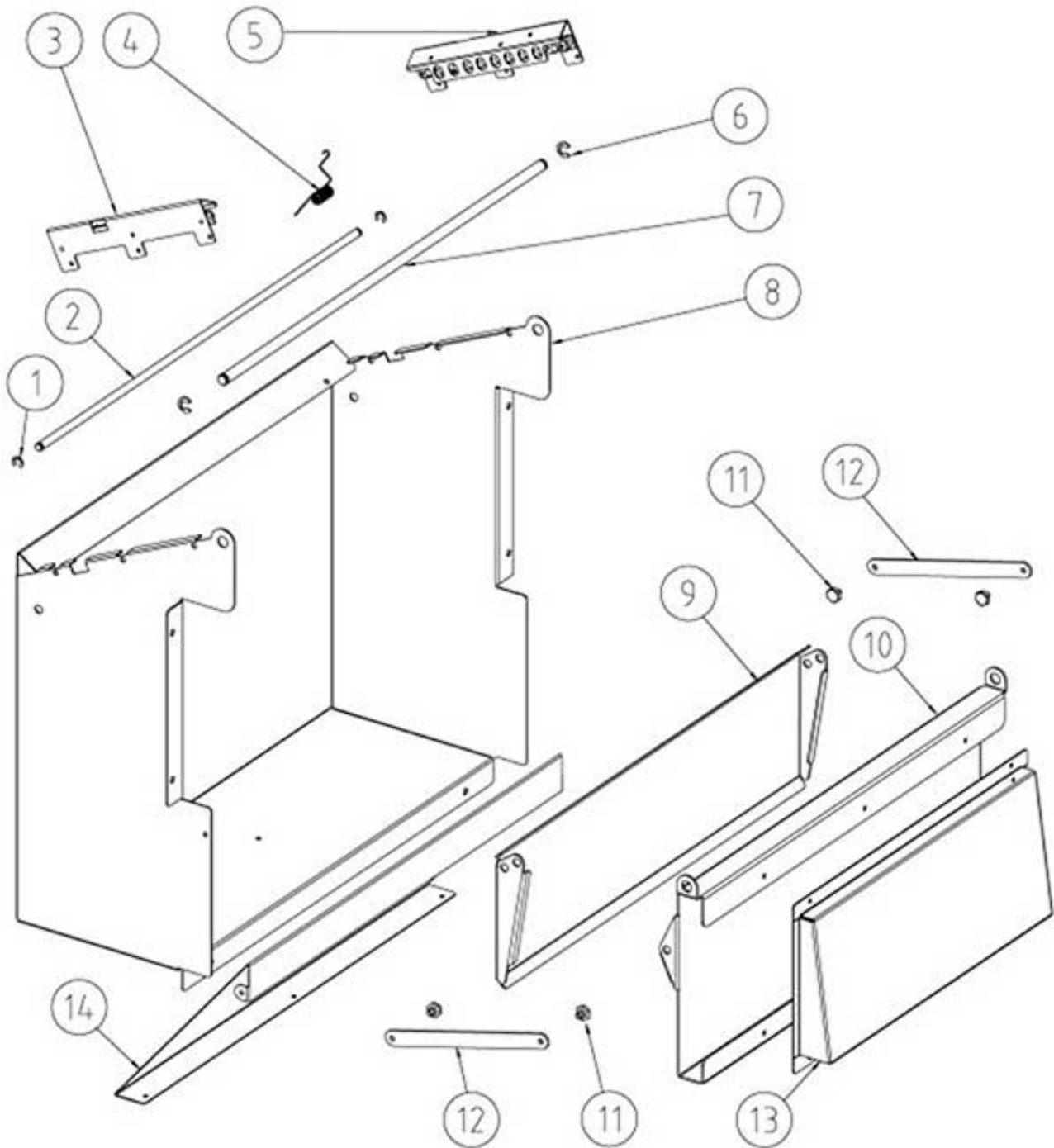
Cabinet unit		
Pos.	Code	Description
1	84500002	XTS5 cabinet frame
3	84500007	Rear XTS5 grid
4	84580006-V	XTS5 Door upper pintle protection
5A	84500008-V	Gond supérieur porte XTS5
5B	84500018-V	Gond supérieur renforcé porte XTS5
6	84550006	XTS5 left drawers support
7	84560003	Interior back of XTS5 unit
8	84560002	Interne supérieur armoire EP8
9	Z00015071	Internal hole covering cup
10	84550003	XTS5 right drawers support
11	84560015	Connector support XTS5
12	84560007	XTS5 right interior
13	84560005	XTS5 Right closing of the cabinet
14	61500021	Black cabinet seal per mt
16	84560006	XTS5 left front interior
17	84400004	Refrigerator air baffle XTS5
18	84560001	XTS5 interior lower
19	84400009	XTS5 Refrigerator fan cover
20	84550007	XTS5 Air conveyer of the refrigerator
21	Z00033003	D.7 radial
22	Z00040059	8x32 pin
23	75100012	Support for wheel Sh door
24	Z00041002	Nylon wheel Sh door support
25	Z00014001	Cabinet foot
26	61500060	Lower EB door hinge pivot
27	84550008	Airflow trap XTS5
28	84500005	Front panel XTS5
29	63500003	Front panel insulation device XTS5/EM8S
30	84580051K	Kit de renforce pour armoire XTS5
31	84580003-V	Protection supérieure armoire XTS5
32	84580005-V	Protection latérale armoire XTS5 (côté de poignée)
33	84580004-V	Protection latérale armoire XTS5 (côté de charnière)
34A	84500009-V	Socle avant armoire XTS5
34B	84500019-V	Socle avant renforcé armoire XTS5

Door Unit



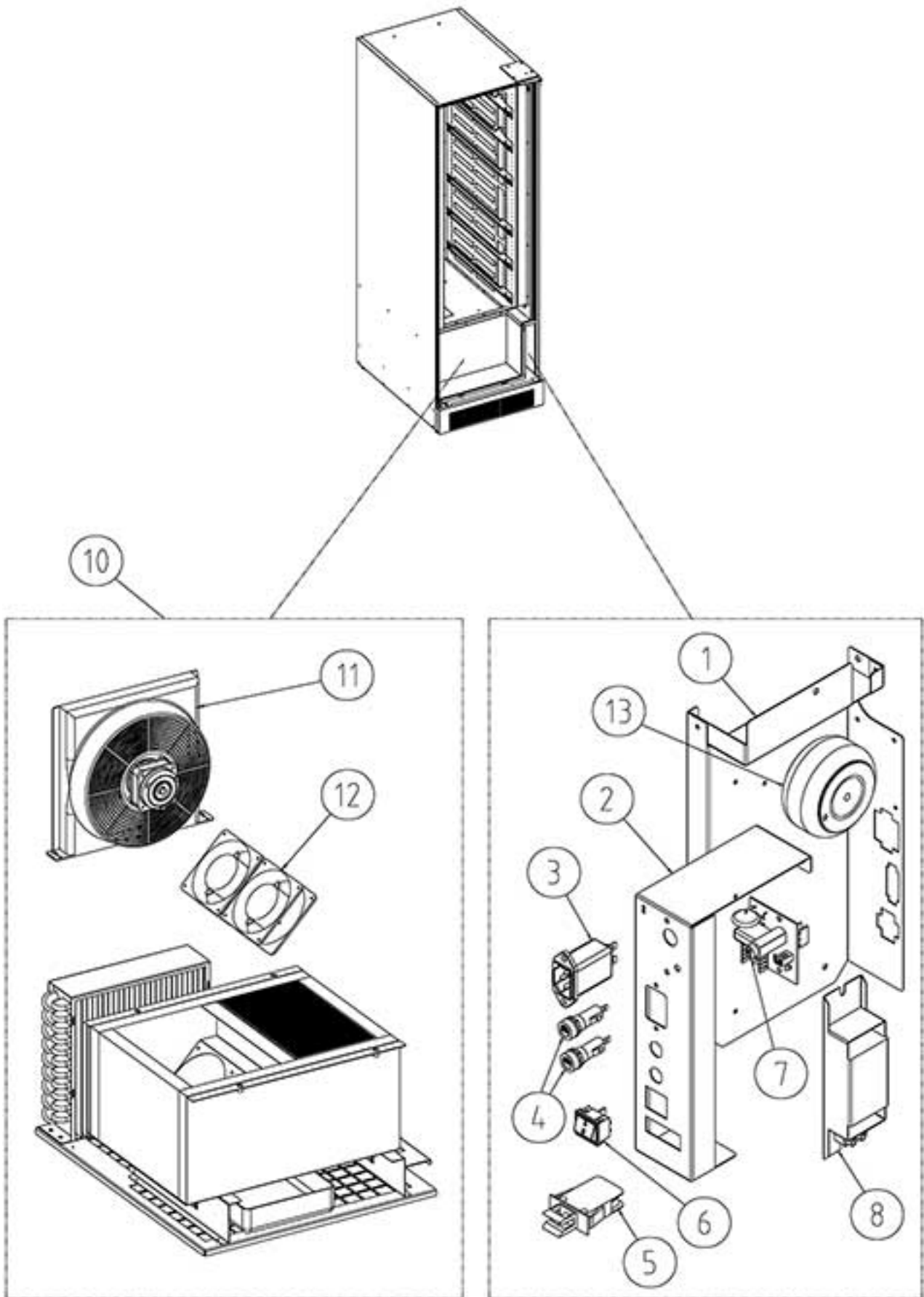
Door Unit		
Pos.	Code	Description
1	84100003-V	Châssis porte XTS5
2	84100093-V	Cadre vertical droite porte XTS5
3	84100092-V	Cadre vertical gauche porte XTS5 (coté serrure)
4	63130002	EM8S/EP8 door handle
5	84130008	XTS5 Door handle plate
6	Z00061057	XTS5 Keyboard (9 keys)
7	84100090-V	Protection décorative supérieur porte XTS5
8	61300015	EB/EP8 drawer sliding wheel
9	84130007	Lock shoe XTS5
10	84130006	XTS5 door chime
11	Z00120201	SELV4-CPU Flash electronic card for EUS7 REF TI 259.17_GB
12	Z00067007	EB IR-FTCA barrier interf. Card
13	84101025	Door upper cover XTS5
14	84101003	XTS5 right glass stop
15	84101009	XTS5 Right locking door
16	Z00028009	Head for XTS5 starter
17	Z00028005	Starter for neon
18	Z00028010	Head for XTS5 neon (with spring)
19	84510025	XTS5 neon screen
20	12100004	36W neon lamp
21	Z00028011	Head for XTS5 neon (fixed)
22	84101028	XTS5 Glass stop / lamp support
23	84101008	XTS5 glass-window seal
24	84101001	XTS5 double glazed glass-window
25	84100032	XTS5 dispenser unit
26	84101005	XTS5 lower horizontal glass-stop
27	84101002	Door left lower cover XTS5
28	63101047	EM8S safety switch spring
29	84101007	Door right lower cover XTS5
30	Z00067056	

Dispenser unit



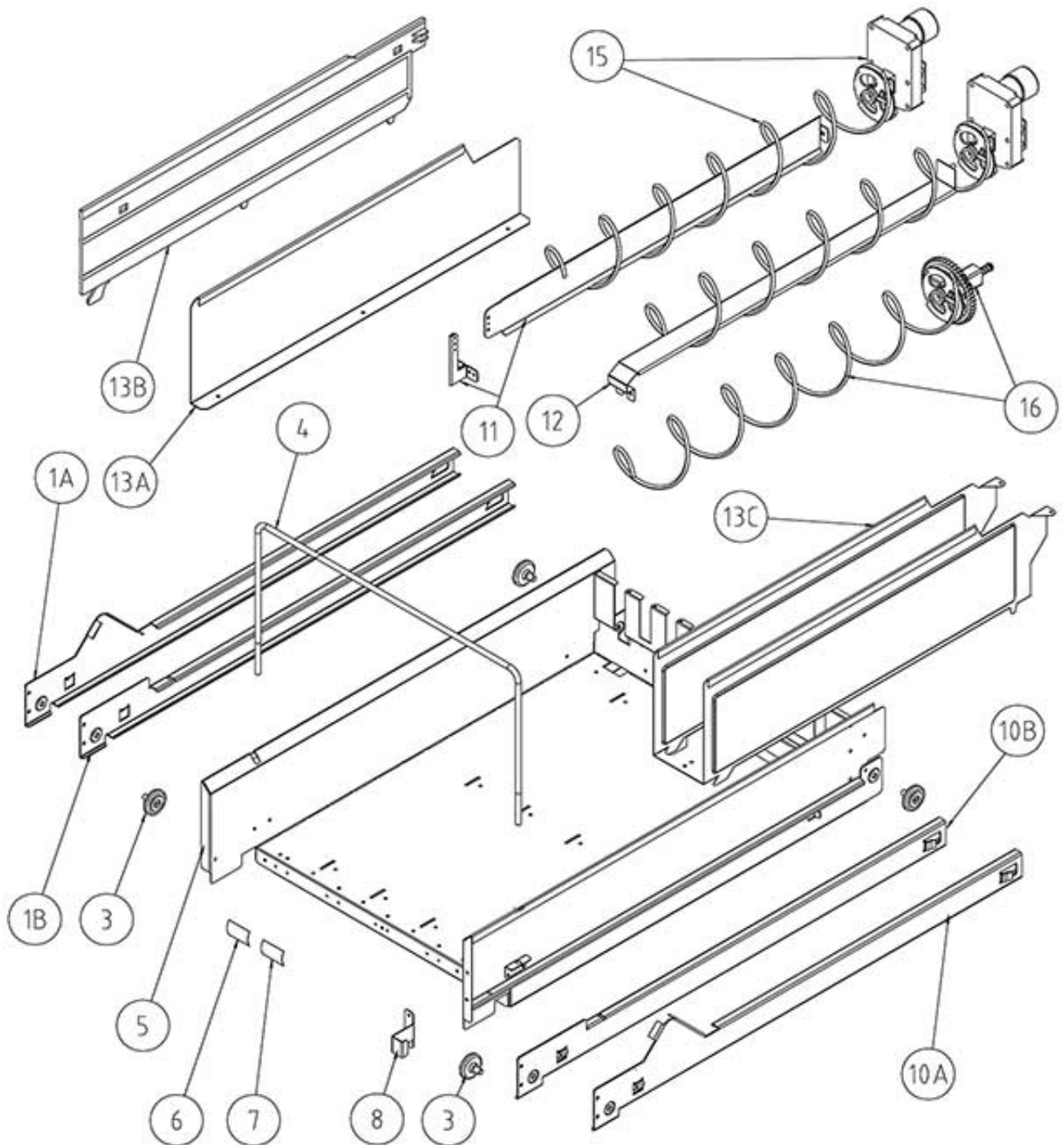
Dispenser unit		
Pos.	Code	Description
1	Z00033005	D. 5 radial
2	84100054	Rod for XTS5 anti-theft
3	65150016	Left FTCA sensor support
4	61103045	R.2 EB product anti-theft spring
5	65150015	Right FTCA sensor support
6	Z00033006	Radial D. 8
7	84100035	XTS5 products door pins
8	84100033	XTS5 product extraction box
9	84100012	XTS5 anti-theft panel
10	84100006	XTS5 Product extraction door sheet
11	61100008-Z	Pivot pour levier volet
12	84100034	XTS5 anti-theft panel lever
13	H84103009NA	PRODUCT DOOR "PUSH XTS5"
14	84100031	XTS5 product extraction tray bottom

Electrical Box/Cooling Unit



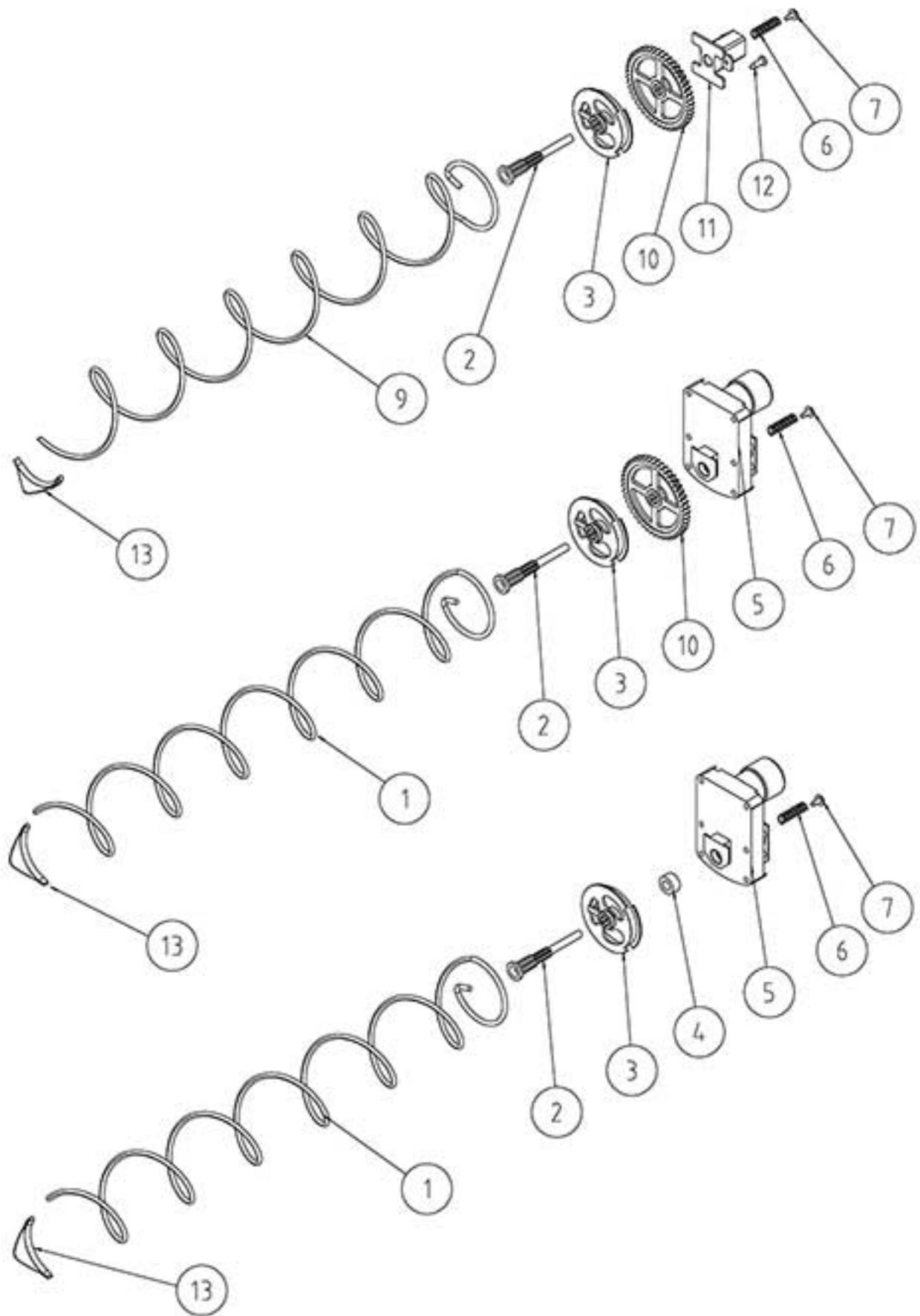
Electrical Box/Cooling Unit		
Pos.	Code	Description
1	84510017	Châssis boîte électrique XTS5 R.2
2	84510016	Couvercle boîte électrique XTS5 R.2
3	Z00020073	Panel pin with filter 10A
4	H00029006	FUSE HOLDER
5	ELE0002009	BIPOLAR SWITCH 15A 250V
6	H00027030	ELECTRICAL BOX SWITCH
7	H00065102	TRIACK/FUSE BOARD
8	61511006	EB lamp reactor 36W
10A	FRID840001	COOLING UNIT XTS5 STD GAS 134A
10B	84760001	Groupe réfrigérant XTS5 Pro 2°
11	63400006	Fan for EM8S refrigerator unit compressor
12	63400005	Fan for EM8S refrigerator evaporator
13	84510005	Transformateur Xtra Tore 230/21- 30 VA

Drawer unit



Drawer unit		
Pos.	Code	Description
1A	66301003-V	Guide tiroir EP8 gauche inclinable
1B	66300003-V	Guide tiroir EP8 gauche fixe
3	61300015	EB/EP8 drawer sliding wheel
4	84300028	XTS5 bottle drop stopper
5	84307001	XTS5 Drawer
6	66320011	EP8 position sheet
7	61320021	EB/EP8 price sheet
8	84300041-V	Equerre arrête-tiroir XTS5
10A	66301002-V	Guide tiroir EP8 droite inclinable
10B	66300002-V	Guide tiroir EP8 droite fixe
11	61301026	Spiral separator
12	61300017	Product support bridge stainless steel
13A	61362024-V	Répartiteur produits en métal (6 spirales)
13B	61301024	PLASTIC PRODUCTS SEPARATOR
13C	61302024-V	Répartiteur produits double
15		See table Spiral unit
16		See table Spiral unit

Spiral unit



Spiral unit		
Pos.	Code	Description
1A	61311024-V	Right spiral D.65 thread 24 (20 products)
1B	61311032-V	RIGHT SPIRAL D.65 - PITCH 32 (15 PRODUCTS)
1C	61311045-V	Right spiral D.65 thread 45 (10 products)
1D	61311060-V	Right spiral D.65 thread 60 (8 products)
1F	61311079-V	Right spiral D.65 thread 78,5 (6 products)
1G	61311091	Right spiral D.65 thread 94 (5 products)
1H	H61311067NA	RIGHT SPIRAL D65P67 7 STEPS
2	61300029	Spiral motor shaft
3	61300012	Spiral attachment ring nut
4	61300033	Bush for spiral without gears
5	61300011	Spiral gearmotor
6	61300030	Spiral motor shaft spring
7	Z00035025	Self-tapping screw 3.5 x 9,5
9A	61312024-V	Left spiral D.65 thread 24 (20 products)
9B	61312032-V	Left spiral D.65 thread 32 (15 products)
9C	61312045-V	Left spiral D.65 thread 45 (10 products)
9D	61312060-V	Left spiral D.65 thread 60 (8 products)
9F	61312079-V	Left spiral D.65 thread 78,5 (6 products)
10	61300031	Spiral toothed wheel
11	61300032	Bush for toothed wheel
12	Z00035012	Self-tapping screw TC+3,9x6,5 without point
13	60300043	Small spoon for spiral