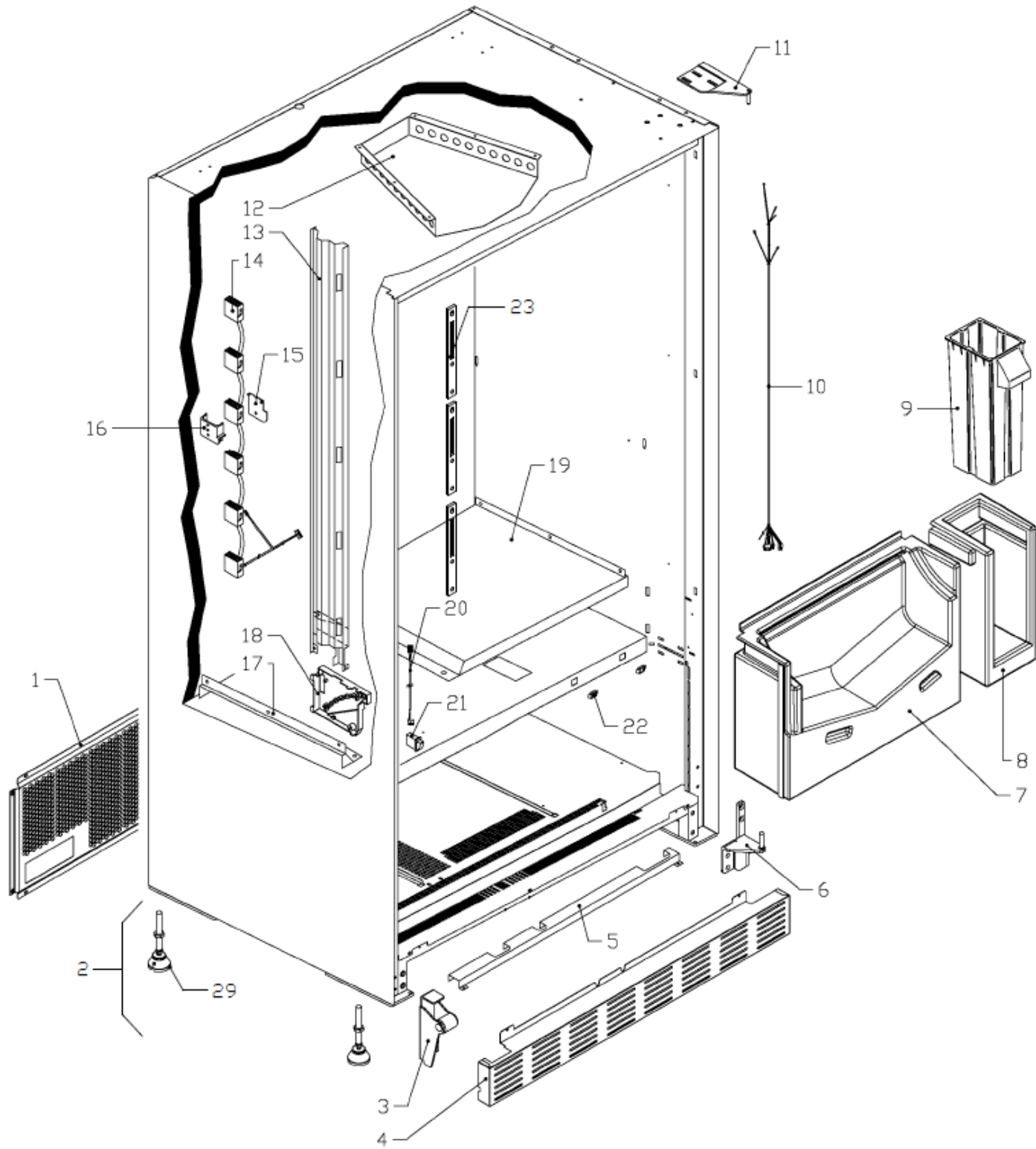


1. **984860T-CASSONE - CABINET**
2. **984860T-CASSETTO - TRAY**
3. **984860T-PORTA - DOOR**
4. **984860T-STRUTTURA_PORTA - DOOR FRAME**
5. **984860T-SPONDE_SUPPORTO_CASSETTI - TRAYS SUPPORT SIDES**
6. **984860T-PANNELLO_ELETTRICO - POWER SUPPLY UNIT**
7. **984860T-GRUPPO_FRIGO - REFRIGERATION UNIT**
8. **984860T-PANNELLO_FRONTALE - FRONT PANEL**
9. **984860T-ACCESSORI - ACCESSORIES**

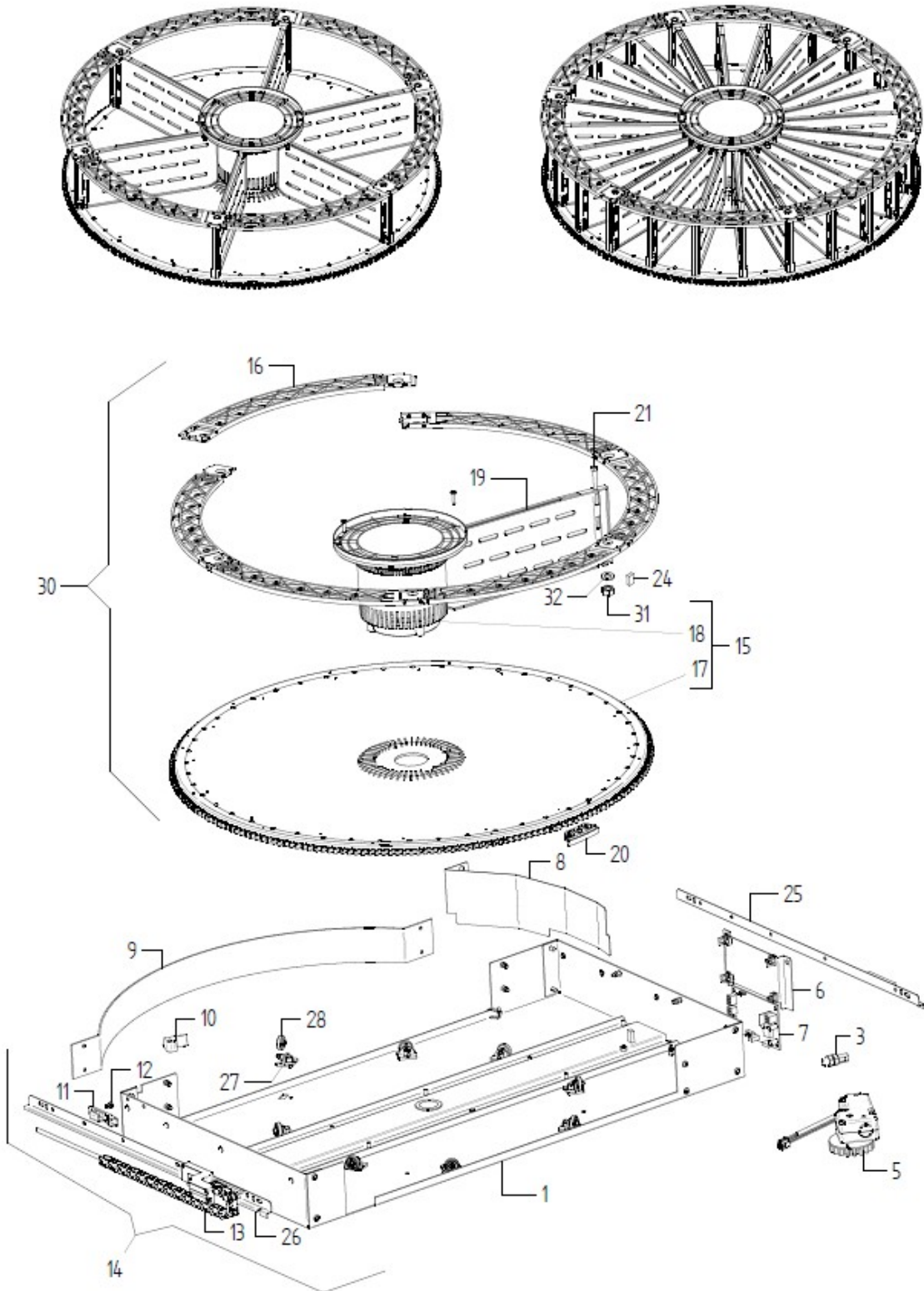
984860T-CASSONE - CABINET



PARTS LIST

Pos.	Code	Description	Suggested	Price
0001	621590	REAR GRID		
0002	820437	COMPLETE FOOT WITH ANTISLIP BASE		
0003	720488	DOOR SLIDEBRACKET		
0004	855419	LEG COVER 900 RAL7021		
0005	631419	CABLES COVER E6000 BASE		
0006	201124	SCTREW M6X20 GALV. UNI5933		
0006	720544NN	DOOR ANTITHEFT LOWER HINGE		
0007	826521	PRODUCT DELIVERY POCKET M		
0008	401575	MONEY BOX POCKET FASTER MSP		
0009	401150	PLASTIC COIN BOX		
0010	310637	MAIN R32 E6000 N.E. CONNECTION HARNESS		
0011	720545NN	DOOR UPPER HINGE		
0012	631421	DRUM COVER		
0013	820464	LEFT COVER		
0014	310636	SHELVES DISTRIBUTION HARNESS E6000 N.E.		
0015	401140	COVER FOR FEMALE CONNECTOR HOLDER		
0016	401139	FEMALE CONNECTOR HOLDER		
0017	621108	AIR CONVEYOR RAL 9005		
0018	401131	PHOTOCELLS COVER		
0019	621147	ASPIRATION AIR CONVEYOR		
0020	310407	HARNESS FOR DOOR MICROSWITCH		
0021	310047	NO MICROSWITCH ARCOLECTRIC C3006CB-FUSIT	✓	
0022	210059	RECEPTACLE		
0023	621555ZI	EXTERNAL LOCK BLADE		
0029	400908	BASE ANTISLIPPING FOOT		

984860T-CASSETTO - TRAY



PARTS LIST

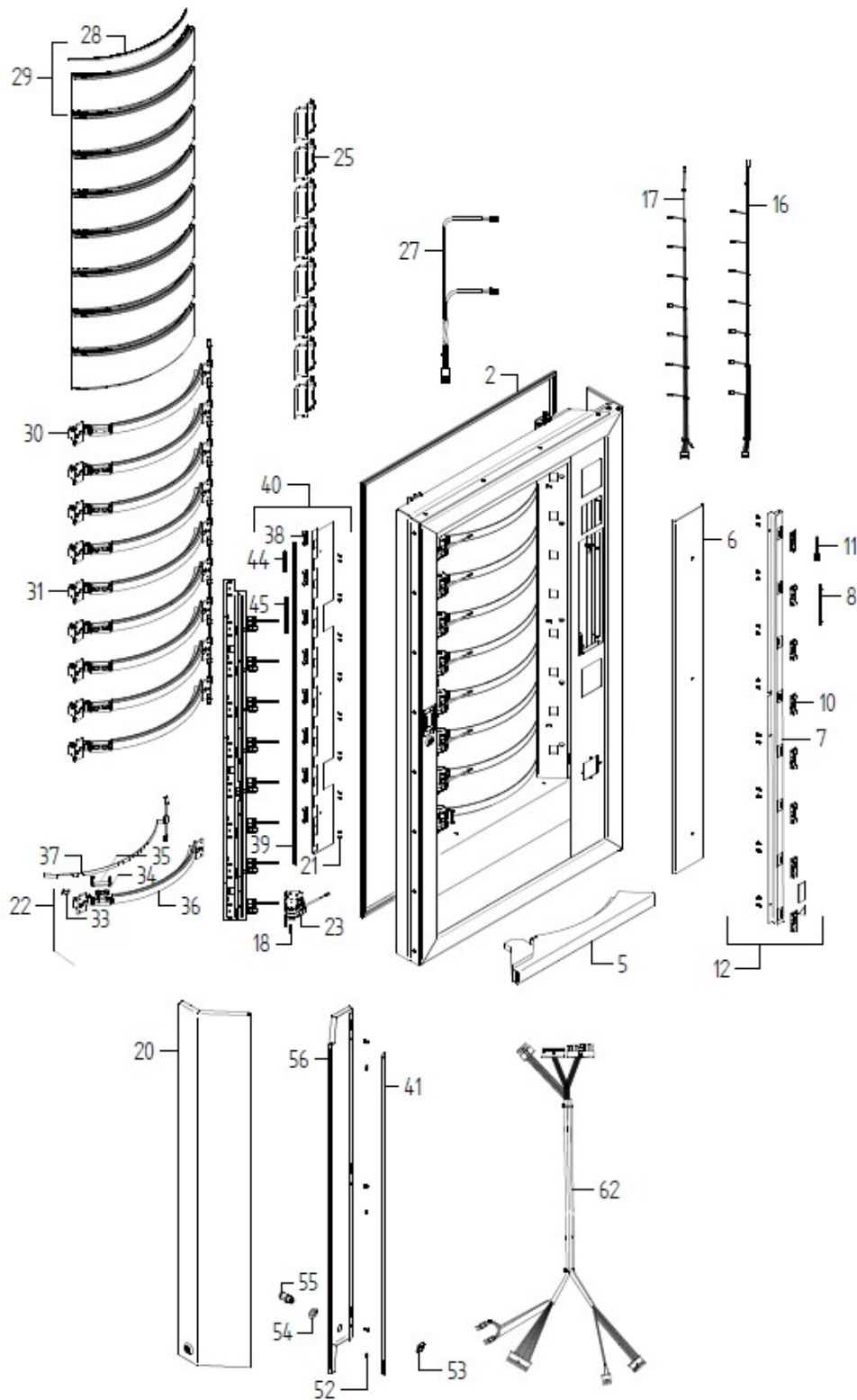
Pos.	Code	Description	Suggested	Price
0001	830673	TRAY FRAME		
0003	750093	HALL EFFECT SENSOR		
0005	302024	DRUMS GEARMOTOR WITH GEAR WHEEL		
0006	830649	DRUM MOTORGear BOARD SUPPORT		
0007	082711	DRUM MOTORGear BOARD		
0008	631501	RIGHT BAFFLE PLATE		
0009	401279	REAR BAFFLE PLATE		
0010	401253	DOOR END-OF-STROKE		
0011	401141	PEG FOR TRAY HARNESS		
0012	210287	PLASTIC RIVET RICHCO SR-4060-BK		
0013	750097	TRAY CHAIN HARNESS		
0014	830674	DRUM SUPPORT TRAY		
0015	830637	DRUM WITH HUB		
0016	401234	UPPER CIRCLE SECTOR FOR DRUM		
0017	401232	PLASTIC DRUM		
0018	830638	CENTRAL DRUM HUB WITH INSERTS		
0019	401235	DRUM SEPARATOR		
0020	860120	20 PCS. ANTI-FALLING WITH SCREWS/NUTS		
0021	202033	TIE ROD M5X122		
0024	210021	MAGNET		
0025	210349	SUPPORT FLASK RIGHT		
0026	210347	SUPPORT FLASK LEFT		
0027	401240	BEARING BRACKET EASY 6000		
0028	401241	DELRIN TRIC T 19 SF 4319 BEARING		
0030	830655	DRUM 12 SECTORS EASY 6000		
0030	830657	DRUM 24 SECTORS EASY 6000		

984860T



Pos.	Code	Description	Suggested	Price
0031	203015	HEXAGONAL NUT MA 5 ZINC.771		
0032	204015	5 MM FLAT WASHER UNI6592		

984860T-PORTA - DOOR

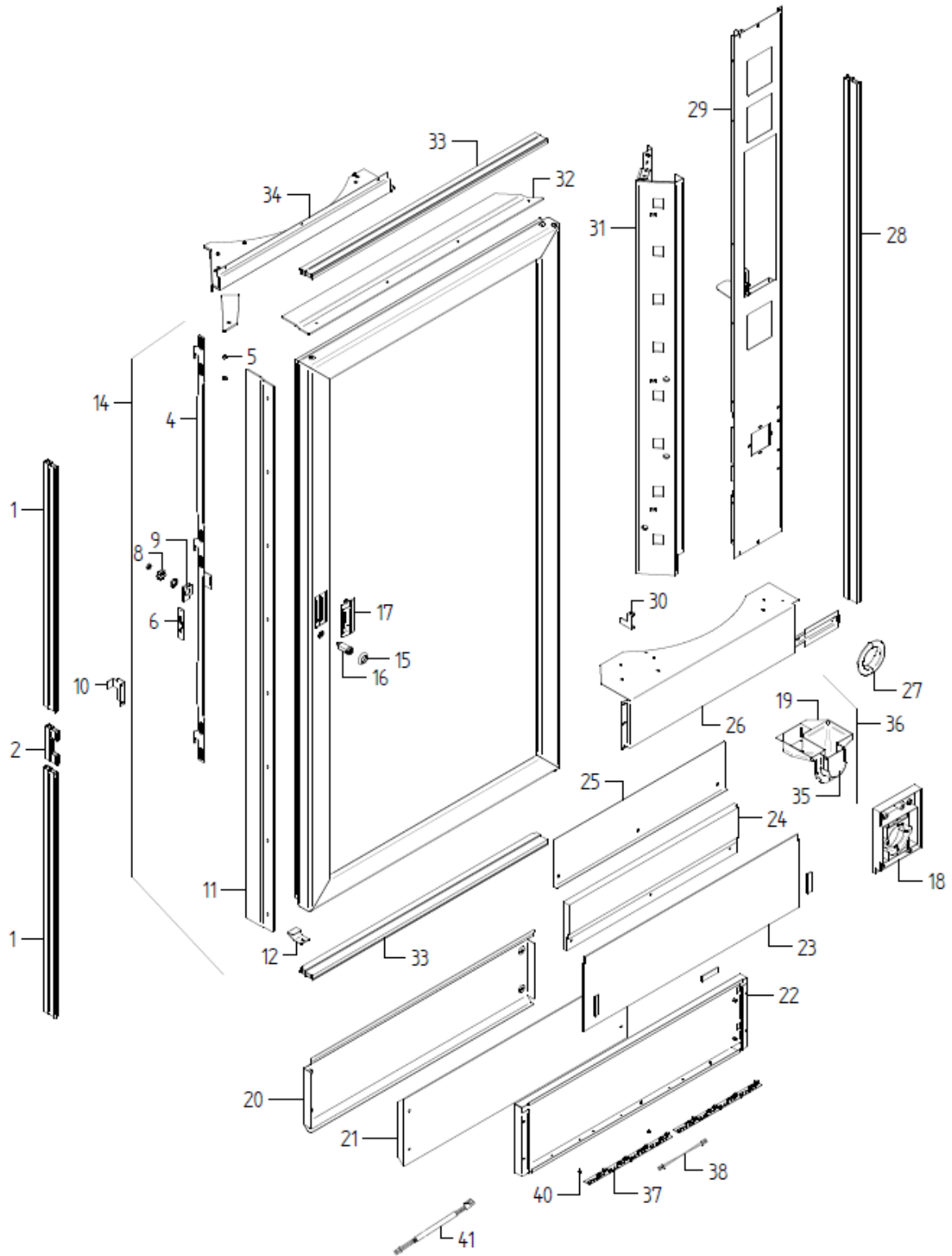


PARTS LIST

Pos.	Code	Description	Suggested	Price
0002	221053	MAGNETIC GASKET 1638X838 I.M.11,6X3		
0005	726462	FRONT LOWER BLACK COVER		
0006	726768NG	RIGHT FRONT COVER 'NG' ASS. EASY6000 MSP		
0007	627194	LED HOLDER RIGHT ROD		
0012	826715	LED RIGHT ROD		
0016	310401	DELIVERY DOOR MICRO LOOM		
0017	310418	DOOR MOTOR HARNESS		
0018	211049	SPRING 0.8X9XL32.6		
0020	726723	MOTOR COVER+LOCK EASY6000 GCD R5011 ASS.		
0021	210289	PLASTIC RIVET RICHCO SR-3045-B RMS-52		
0022	826744	DELIVERY DOOR SLIDE		
0023	825551	DELIVERY DOOR MOTORGear	✓	
0025	401215	PLASTIC DOOR BEAT		
0027	310402	POWER-LED HARNESS ON E6000 DOOR		
0028	626930	TOOTHED BELT		
0029	826471	DELIVERY DOOR H.120	✓	
0030	826735	DELIVERY DOOR SLIDE		
0031	826734	DELIVERY DOOR SLIDE WITH RESISTANCE		
0033	310425	DOOR SLIDE MICROSWITCH		
0034	400492	GUIDE PULLEY		
0035	400465	GUIDING PULLEY INSERT		
0036	400486	DELIVERY DOOR GUIDE		
0037	310426	DOOR SLIDE RESISTANCE		
0038, 0010	082782	BOARD WITH LED ASSEMBLY	✓	
0039	627177	LED HOLDER ROD		

Pos.	Code	Description	Suggested	Price
0040	826711	LED LEFT ROD		
0041	627222	EASY 6000 MOBILE ROD FOR MOTORS BOX		
0044, 0011	310384	BOND FOR LED BOARDS		
0045, 0008	310429	FAS LED BARS (120) EXPANSION CABE		
0052	700489	CLOSING BAR BUSH FOR175 S&F		
0053	624672	120° LOCK FRAME		
0054	700505	LOCK PROTECTION WASHER		
0055	210249	RIELDA KEY LOCK MOD.511 + KEY	✓	
0056	627941NG	MOTOR COVER CASING + LOCK NG EASY6000		
0062	310635	PAN-DOOR MOT-MICRO-LED E6000 N.E CABLE		

984860T-STRUTTURA_PORTA - DOOR FRAME

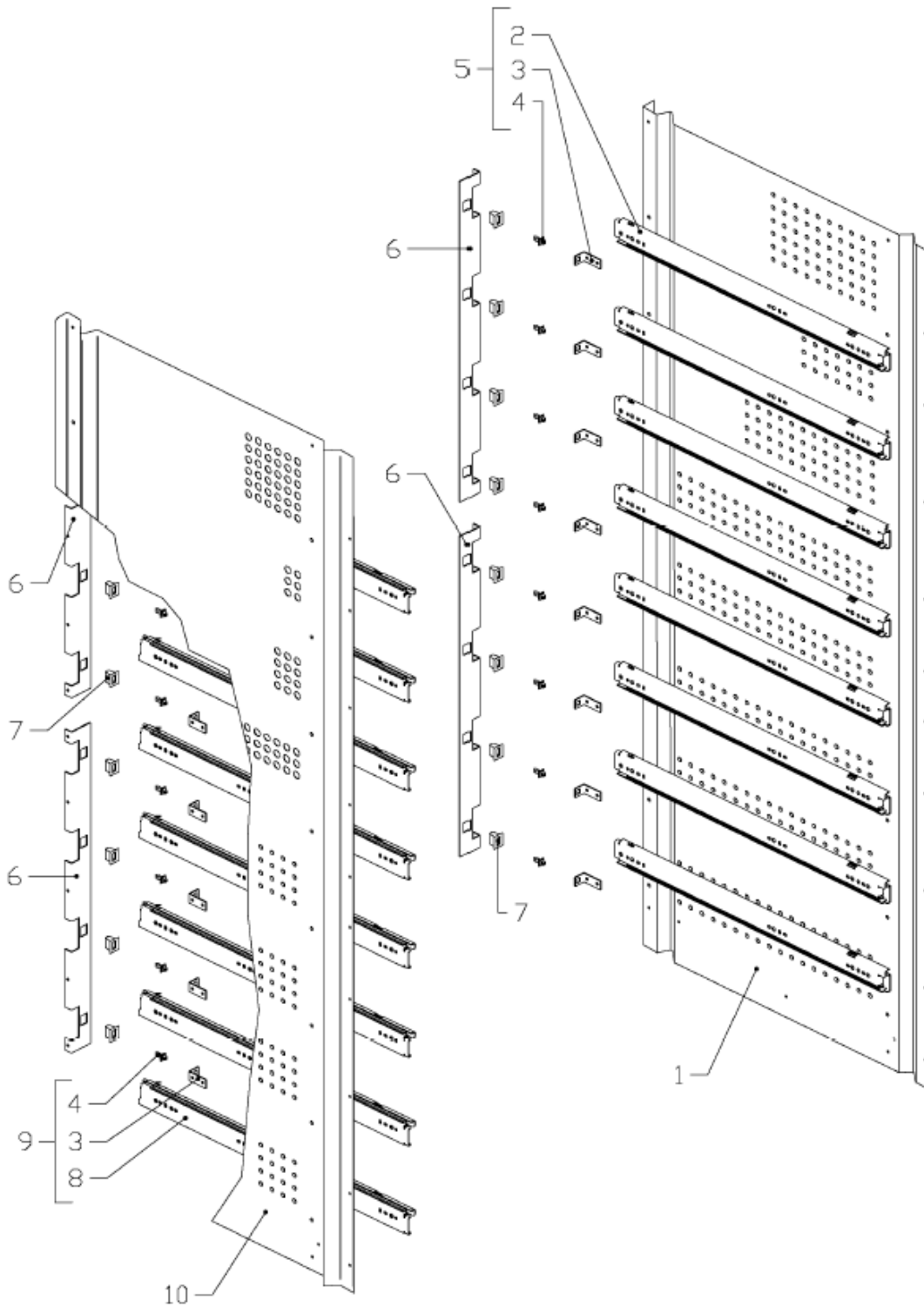


PARTS LIST

Pos.	Code	Description	Suggested	Price
0001	400841	LOWER RIGHT GASKET PROFILE (L=760)		
0002	401104	RIGHT GASKET HOLDER		
0004	726499	DOOR CLOSING ANTI-THEFT BAR		
0005	700434	BUSH FOR CLOSING ROD SLIDING		
0006	726286ZI	120° LOCK RACK		
0008	624672	120° LOCK FRAME		
0009	627725	ANTIROTATION LOCK INCREASED		
0010	627210	MICRO-PUSHER BRACKET		
0011	624623MM	SIDE ANTITHEFT BAR		
0012	631085	DOOR WHEEL RAISER		
0014	827192	DOOR FRAME ASSEMBLY FASTER GCD 900 R5011		
0015	700505	LOCK PROTECTION WASHER		
0016	210249	RIELDA KEY LOCK MOD.511 + KEY	✓	
0017	401134	DOOR HANDLE		
0018	400928	COIN RETURN SUPPORT		
0019	401260	REINFORCED CHANGE-GIVER BODY		
0020	628137NN	DOWN INSULATING COVER EASY6000 MSP NN		
0021	401603	DOWN DOOR INSULAT. PANEL EASY6000 MSP		
0022	827279	DOWN METAL PLATE LEDS SUPPORT E.6000 MSP		
0023	401601	DOOR SILK-SCREENED LEXAN EASY6000 MSP		
0024	401600	INSULATING PANEL EASY 6000 MSP DOOR		
0025	628134NN	DOOR INSULATING COVER EASY6000 MSP NN		
0026	726767NG	FRONT DOOR POST EASY6000 MSP NG ASSEMBLY		
0027	401523TG	COINS RETURN FRAME TM TG STANDARD		

Pos.	Code	Description	Suggested	Price
0028	400867	LEFT GASKET PROFILE (L=1620)		
0029	827120	FRONT FANEL FASTER TM GCD NG ASSEMBLY		
0030	726456	MOTOR DOOR HINGE		
0031	827277	RIGHT DOOR POST EASY6000 MSP ASSEMBLY		
0032	624867MM	DOOR UPSIDE ANTITHEFT BAR 900		
0033	400869	HORIZONTAL GASKET PROFILE (L=848)		
0034	726461	DOOR UPPER POST		
0035	624641	INOX COIN-GIVER DOOR		
0036	826751	REINFORCED CHANGE-GIVER BODY		
0037	310368	LED LIGHTING BAR SGG-12D12W-A0	✓	
0038	310366	LED BAR CONNECTION CABLE		
0040	210289	PLASTIC RIVET RICHCO SR-3045-B RMS-52		
0041	310416	PANEL LIGHTING HARNESS		

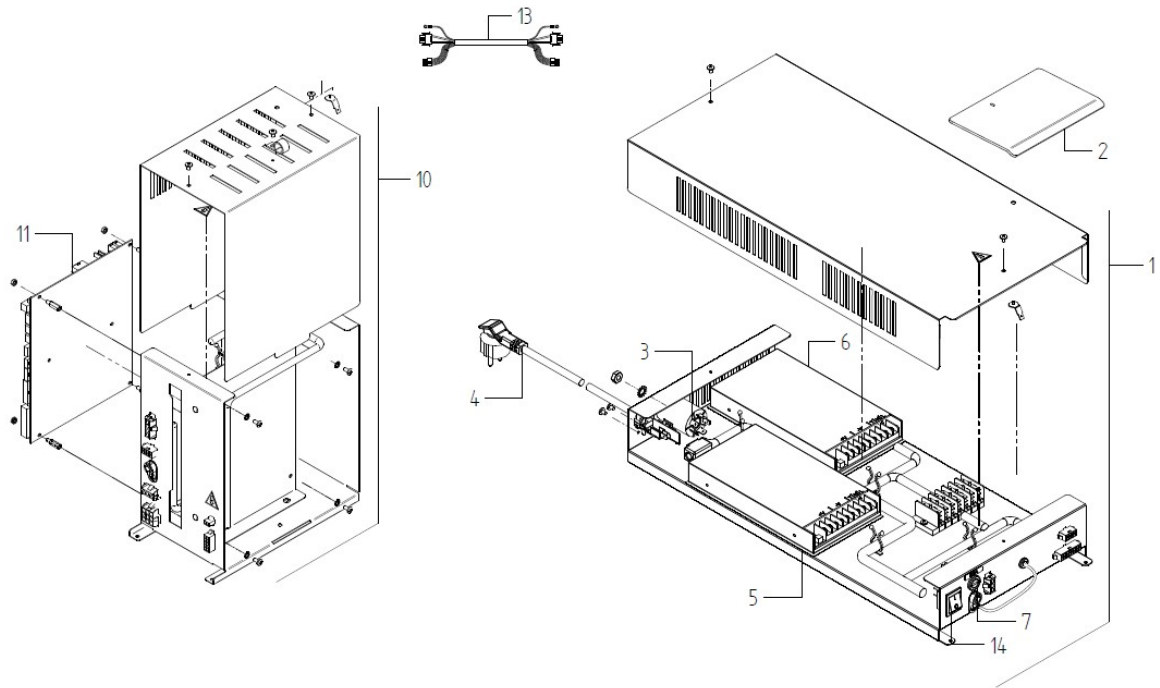
984860T-SPONDE_SUPPORTO_CASSETTI - TRAYS SUPPORT SIDES



PARTS LIST

Pos.	Code	Description	Suggested	Price
0001	730292	RIGHT TRAY-HOLDER FLANK		
0002	210348	ACCURIDE RIGHT SLIDE CZ 7400-055-R		
0003	631456	SIDE BOARD MALE BRACKET		
0004	210121	MALE FASTENER FOR 7x7 HOLE		
0005	801052	RIGHT ACCURIDE SLIDE		
0006	631455	SIDE BOARD FEMALE BRACKET		
0007	210058	FEMALE QUICK HOOK 0191 AA01 FF		
0008	210346	ACCURIDE LEFT SLIDE CZ 7400-055-L		
0009	801051	LEFT ACCURIDE SLIDE		
0010	730291	LEFT FLANK		

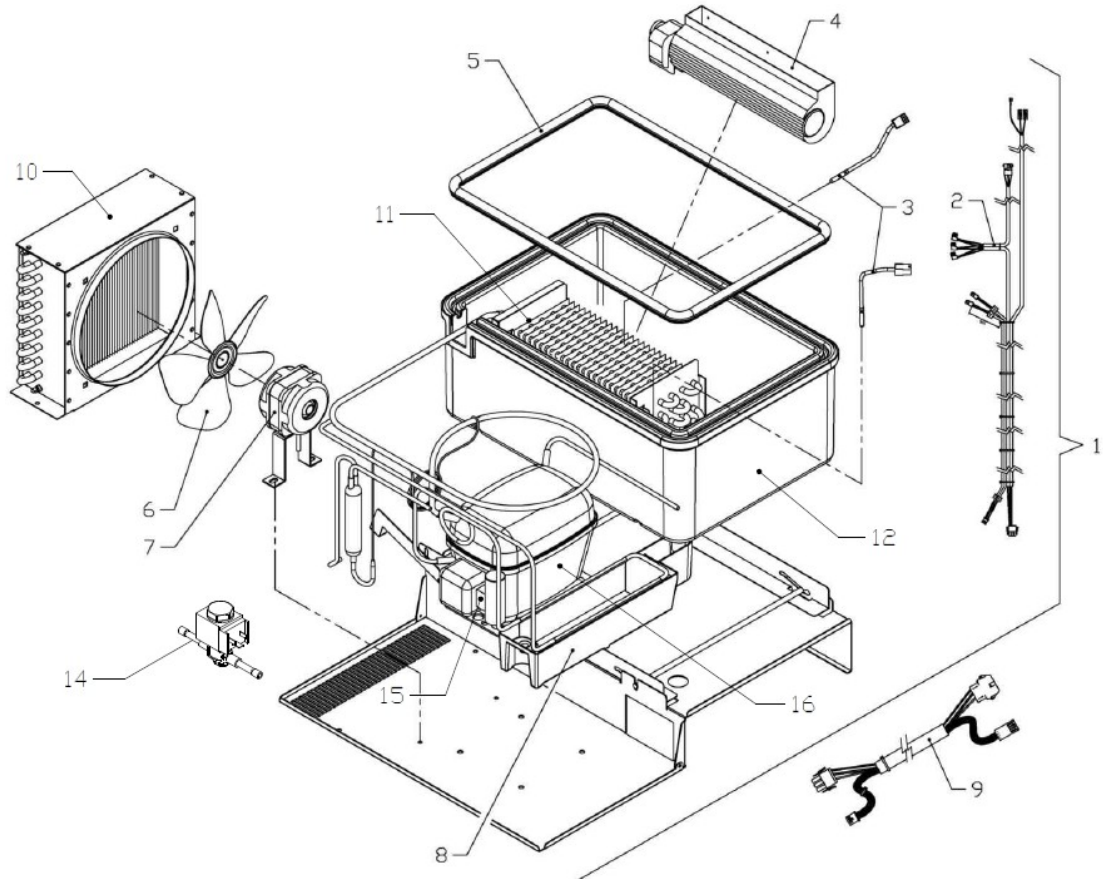
984860T-PANNELLO_ELETTRICO - POWER SUPPLY UNIT



PARTS LIST

Pos.	Code	Description	Suggested	Price
0001	845307	POWER ELECTRICAL PANEL E6000 N.E.		
0002	401239	FEEDER PANEL CONNECTOR COVER		
0003	C300066	NET FILTER	✓	
0004	300133	STANDARD POWER SUPPLY LOOM		
0005	310645	SWITCHING POWER SUPPLY 27VDC 200W(PFC)		
0006	310644	SWITCHING POWER SUPPLY 15VDC 200W(PFC)		
0007	300425	DELAYED 6,3X32 16 A FUSE	✓	
0010	845306	EL. BOARDS ELECTRICAL PANEL E6000 N.E.		
0011	082076	POWER BOARD EASY 6000		
0013	310408	FEEDER PANELS CONNECTION HARNESS		
0014	310439	BIPOLAR SWITCH 16A 250V		

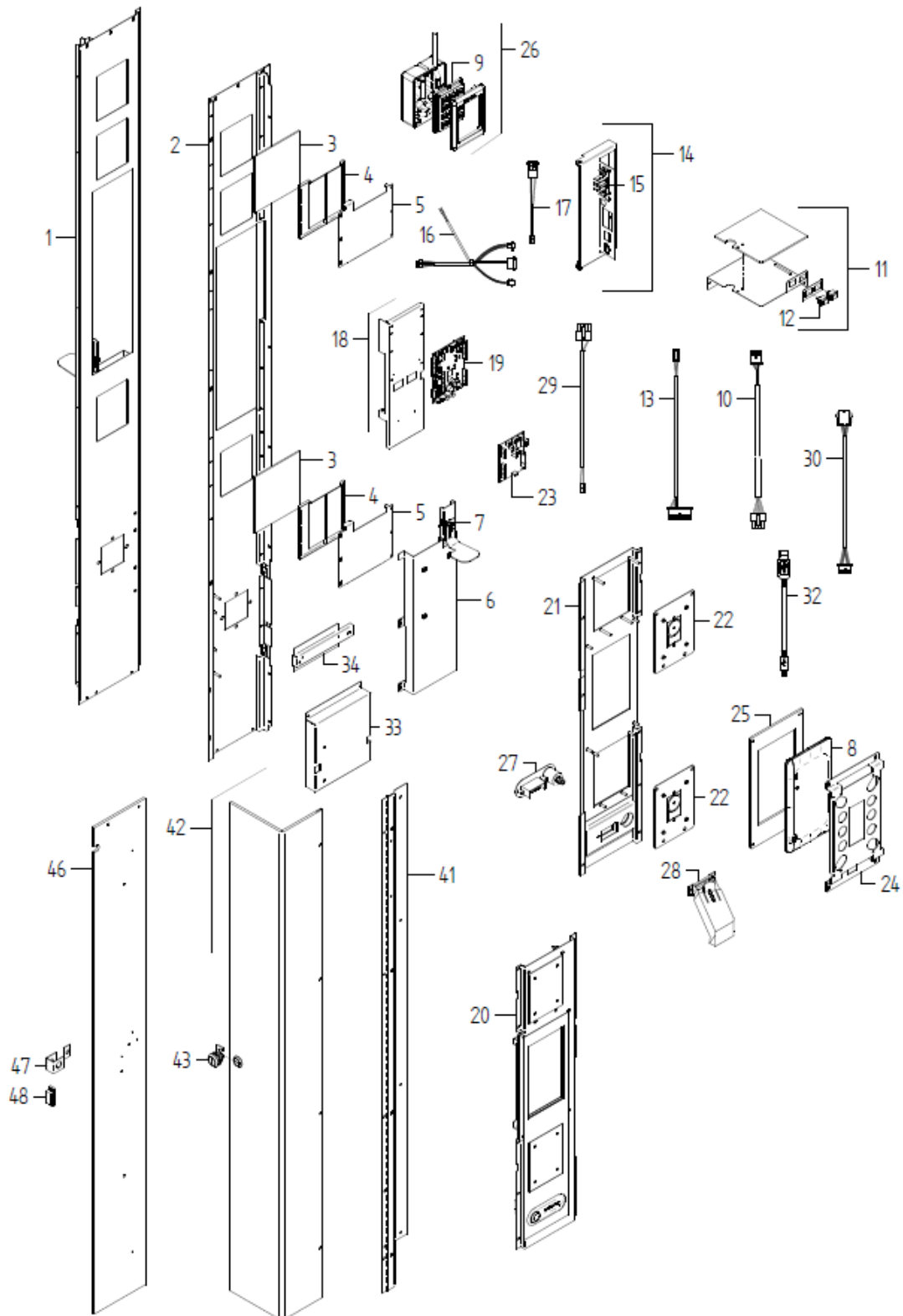
984860T-GRUPPO_FRIGO - REFRIGERATION UNIT



PARTS LIST

Pos.	Code	Description	Suggested	Price
0001	840242	REFRIGERATION UNIT POWERED EAS600-FASTER		
0002	310513	FASTER REFRIGER. UNIT WITH S.V. HARNESS		
0003	310455	TEMPERATURE PROBE	✓	
0004	410139	TANGENTIAL FAN TAS30 FA014	✓	
0005	221112	EVAPORATOR BOX GASKET L=1570		
0006	410408	FAN DIAM. 230-5-34 DEGREES-A		
0007	410381	BLOWER 82E-3016/55 EMI 16W 230/50		
0008	400840	CONDENSATE DRAIN PAN		
0009	310554	REFRIG. UNIT INTER. HARNESS EASY6000		
0010	410094	EVAPORATOR 1T		
0011	410317	C 1024/4 CAPACITOR		
0012	740092	PLYSTYRENE EVAPORATOR BOX ASSEMBLIY		
0014	410384	1028/20DS1/4-9150R02 SOLENOID VALVE		
0015	845332	ELECTRICAL COMPONENTS COMPRESSOR 410146		
0016	410146	COMPRESSOR NEU6214Z CSIR		

984860T-PANNELLO_FRONTALE - FRONT PANEL

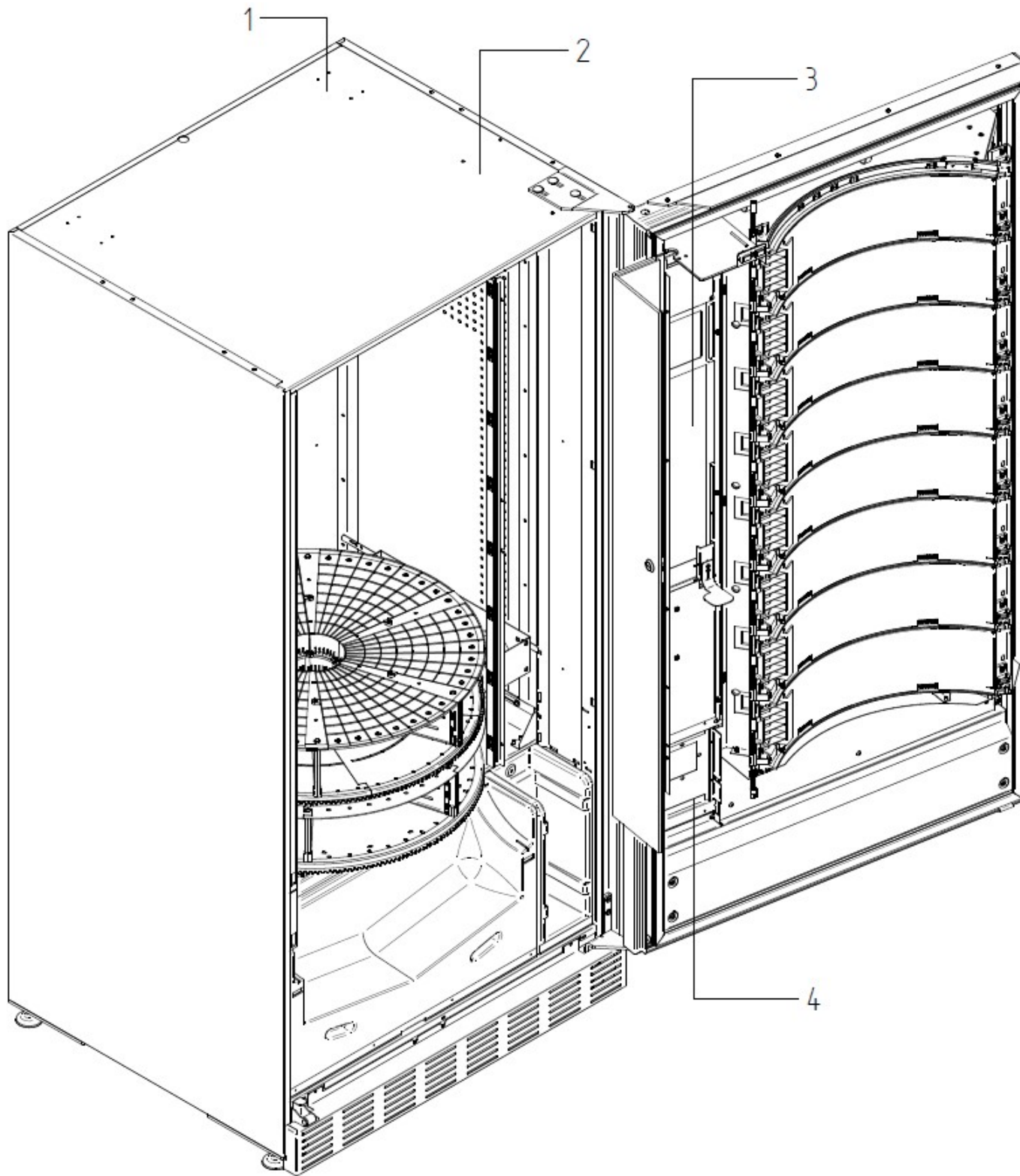


PARTS LIST

Pos.	Code	Description	Suggested	Price
0001	827120	FRONT FANEL FASTER TM GCD NG ASSEMBLY		
0002	726698NG	FRONT PANEL MSP NG ASSEMBLY		
0003	400972	POCKET GLASS		
0004	400971	LABEL POCKET		
0005	627863	POCKET GLASS METAL LOCK TM		
0006	827047	COIN MECHANISM SUPPORT TM ASSEMBLY		
0007	211063	SPRING 0.8X9XL	✓	
0008	310708CO	TABLET 7 P. HANNSPREE MID721+SW		
0009	301203	KEYBOARD		
0010	310694	MAIN PROG. CABLE R32 DA 082938		
0011	750256	PROGRAMMING BUTTONS COVER EASY6000 MSP		
0012	400941	PROGRAMMING PUSHBUTTONS		
0013	310666	CABLE FROM EL.B.082938 TO MAIN 082670(TM)		
0014	827169	CONNECTORS SUPPORT ASSEMBLY FASTER TM		
0015	082720	24VOLT POWER DISTRIBUTION PCB		
0016	310693	PAYMENT SYST. INTERFACE WITH EL.B.082670		
0017	310580	BOX RESISTANCE HARNESS FASTER GCD		
0018	827048	ELECTRONIC BOARDS SUPPORT TM		
0019	082670	GCD MAIN BOARD	✓	
0020	827328	COINS INSERT ASSEMBLY EASY6000 T MSP STD		
0021	726670NG	COINS INSERT STANDARD ASS. S&F TMT NG		
0022	726278NG	BILL READER CLOSING PLATE NG FAST/R		
0023	082938	TABLET INTERFACE ELECTRONIC BOARD		
0024	627932	REAR METAL PLATE TABLET 7 HANNSP. MID721		

Pos.	Code	Description	Suggested	Price
0025	401641	INSULATING MASK FOR 7 TABLET		
0026	850302	PROGRAMMING KEYBOARD		
0027	826922	COINS RETURN BUTTON ASSEMBLY RAL7004 TG		
0028	826494	COIN CHUTE		
0029	310692	POWER SUPPLY CABLE EL. B.082938 FASTER T		
0030	310810	PROGRAMMING KEYPAD INTERFACE EASY 6000T		
0032	310789	CABLE (OTG) USB A - MICRO B M/M 700M		
0033	827280	DOOR INSULATING SUPPORT EASY6000MSP ASS.		
0034	628135	HOR. UPRIGHT SUPP. UPPER OMEGA EASY6000		
0041	726263	BOX DOOR SUPPORT		
0042	827133	DOOR BOX FASTER TM ASSEMBLY		
0043	210320	BLOCK LOCK WITH CAM		
0046	401598	PAYMENT SYSTEMS BOX BODY EASY600 MSP		
0047	624567	COUPLER BOX LOCK		
0048	15100041A	MAGNETIC BLACK CLOSING		

984860T-ACCESSORI - ACCESSORIES



PARTS LIST

Pos.	Code	Description	Suggested	Price
0001	855394	WALL FIXING BRACKETS		
0002	855395	KIT MACHINES FIXING BRAKETS		
0003	855540	KIT SPECIAL COINS INSERT. TMT MSP BLACK		
0003	855436	KIT MASTER/SLAVE EXECUTIVE OMNIA		
0003	855539	KIT SPECIAL COINS INSERT. TM MSP		
0003	855451	KIT MECH. COUNTER WIN./FASTER/YOUNG TMT		
0004	855567	KIT SPECIAL COINS RETURN S&F MSP		