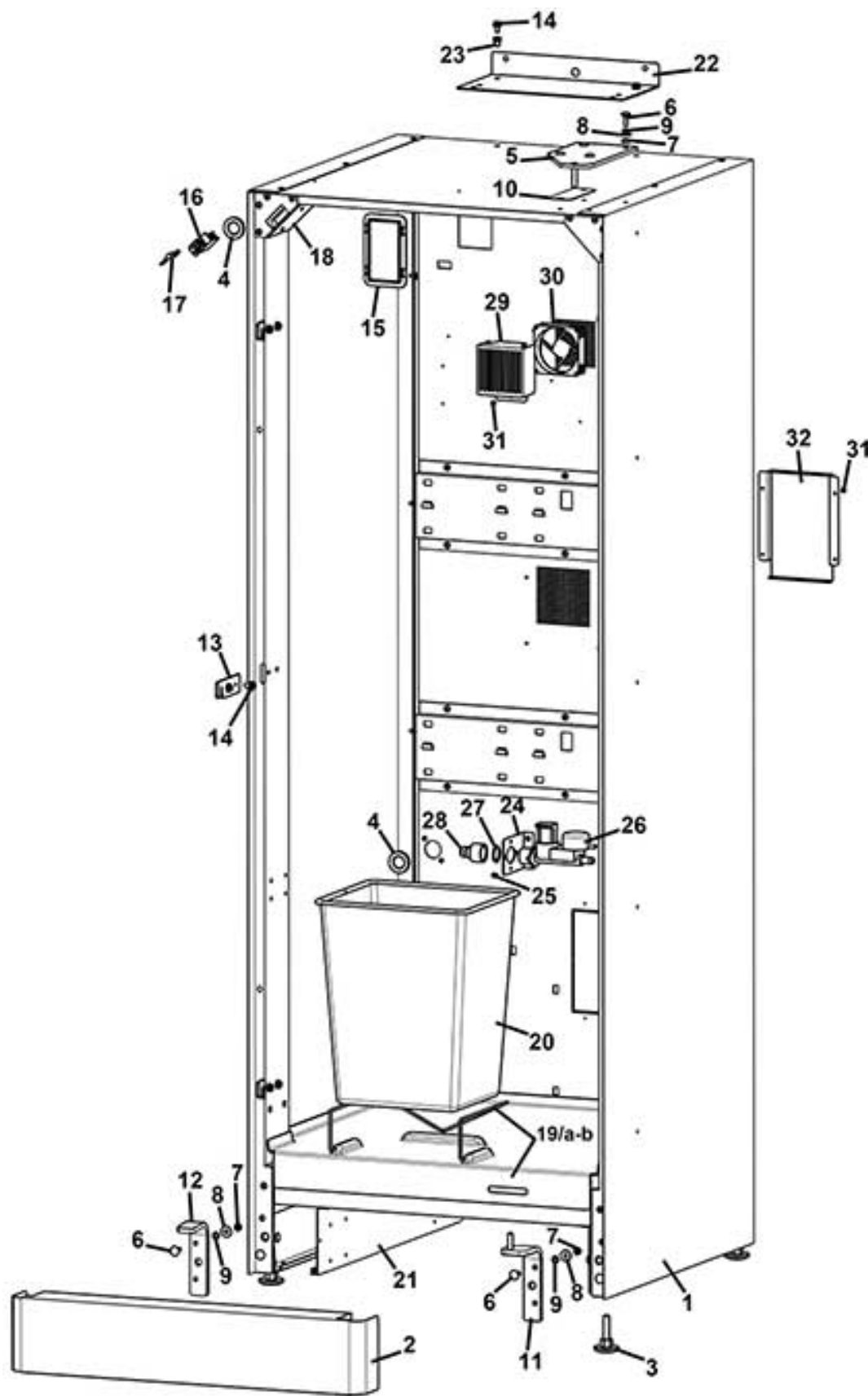


[LUCE X2 PRO]

LUCE X2 PRO - cabinet

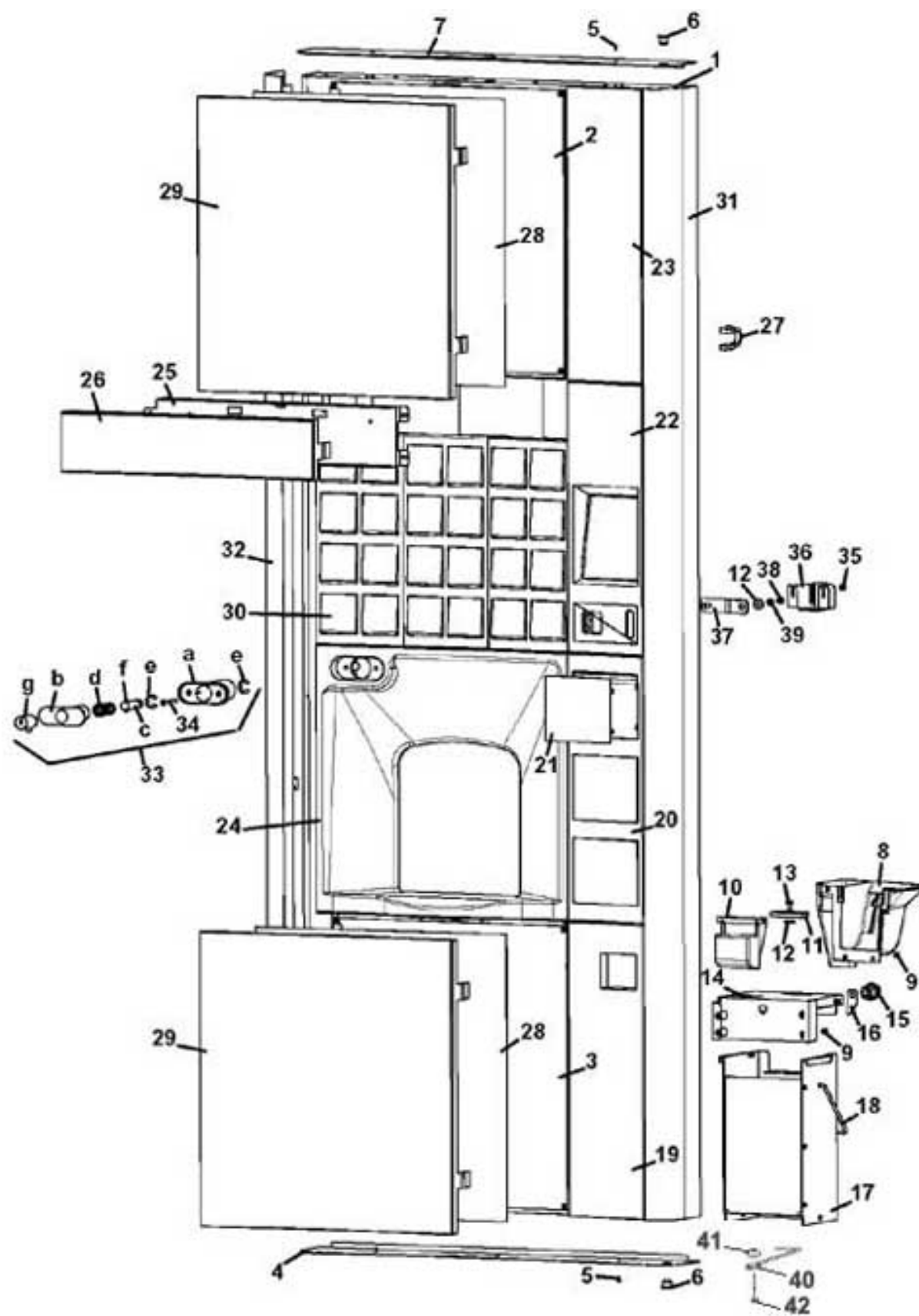


LUCE X2 PRO

LUCE X2 PRO - cabinet

Pos. Code	Description
1 0010030021DA	CABINET RAL 9022
2/a 0010030055DA	KICK PLATE RAL 9022
2/b 0010030059NA	KICK PLATE BLACK
3 0010013208	MACHINE FOOT
4 GUA0010502	ELETRICAL GROMMET Å~21
5 0010030028	UPPER HINGE
6 VIT0005802	SCREW 6X20
7 VIT0004505	NUT M6
8 VIT0003303	WASHER 6,6X18X1,5
9 VIT0003453	SPRING WASHER 6,4
10 0010030042	THICKNESS HINGE
11 0010030029	LOWER HINGE
12 0010030031	MACHINE FOOT
13 0010030015	LOCK HOOK
14 VIT0000236	SCREW HEX HEAD M6X11
15/a 0010030054CW	DOOR SWITCH SUPPORT (TRAFFIC GREY RAL 7043)
15/b 0010030054NA	WIRING SUPPLY COVER (BLACK)
16 ELE0002009	BIPOLAR SWITCH 15A 250V
17 0270011109CL	Å§ SERVICE KEY
18 0010030075	DOOR SWITCH SUPPORT
19/a 0010030049	BIN FRAME
19/b 0010030066NA	BOTTOM PROTECTION (BLACK)
20 CON0000201	BIN
21 0010030077	CABINET REINFORCEMENT
22 0010018071	MACHINE FIXING PLATE
23 VIT0005702	THREADED INSERT
24 0010030082	DOUBLE EV SUPPORT
25 VIT0002010	SCREW ST HEAD CAP M3.5X9.5
26 0110001109	INLET WATER VALVE 2W 24V DC
27 GUA0000021	OR 130
28/a 0010019223	H2O INLET CONNECTOR 3/4F-3/8M
28/b 0810010556	H2O INLET CONNECTOR
29 0010030043	FAN SUPPORT
30 ELE0000463R	Å§ FAN 24V DC D.80
31 VIT0002009	SCREW ST HEAD CAP M3.5X6.5
32 0010030121	DEFLECTOR From serial 20133800000

LUCE X2 PRO - external door

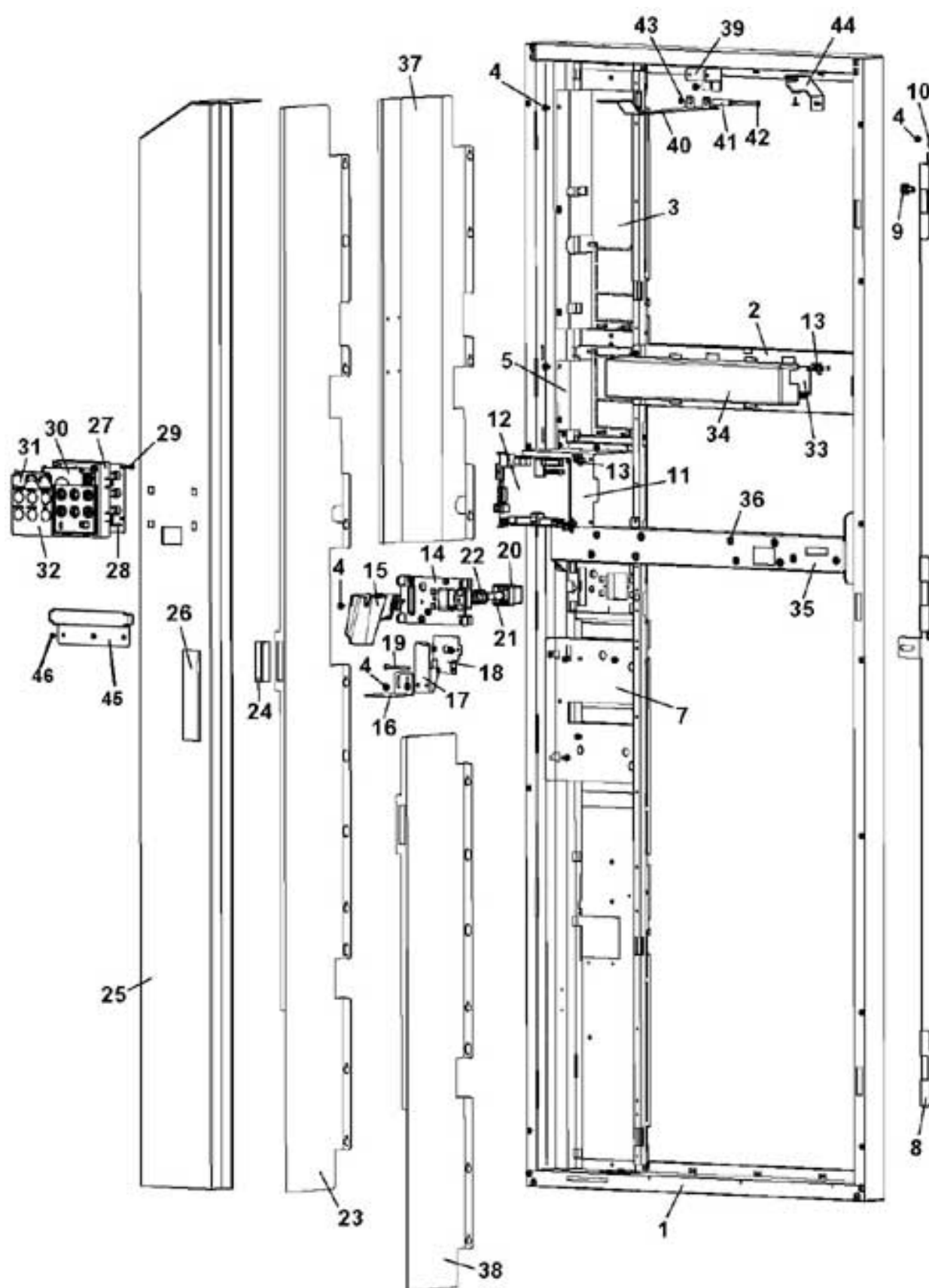


LUCE X2 PRO

LUCE X2 PRO - external door

Pos. Code	Description	
1	0020042005	AS DOOR
2		See table upper lighting kit
3		See table bottom lighting kit
4	0020042075	DOOR LOWER CLOSING PLATE
5	VIT0007020	BLIND RIVET
6	0020034156	DOOR HINGE BUSH
7	0020042061	DOOR UPPER CLOSING PLATE
8	0020042014CY	COINS RETURN CHUTE RAL9018
9	VIT0002401	SCREW ST HEAD CAP M3.5X9.5
10	0020042056XC	COINS RETURN FLAP CHROME
11	0020042082	COIN RETURN FLAP COUNTERWEIGHT
12	VIT0000208	SCREW HEX HEAD M5X10
13	VIT0003302	WASHER 5.5X15X1.6
14	0020042095	COIN BOX LID
15	SER0000010	LOCK MM20 C.3480
16	SER0001005	LOCK PLATE
17	0030006255-02	COIN BOX
18	0030006258	COIN BOX HOOK
19/a	0020042045DA	COIN RETURN FRAME RAL9022
19/b	0020042045NA	COIN RETURN FRAME BLACK
20/a	0020042044DA	INSTRUC. MODULE FRAME RAL9022
20/b	0020042044NA	INSTRUC. MODULE FRAME BLACK
21/a	0020042079	INSTRUCTION MODULE
21/b	0020042079ND	INSTRUCTION MODULE (BLACK)
22		See table display kit
23/a	0020042920DA	PAY. SYSTEM PANEL RAL9022
23/b	0020042042NA	PAY. SYSTEM PANEL BLACK
24/a		See table 1 turret cups station
24/b		See table 2 turrets cups station
25	0020042055	INSTRUCTION MODULE SUPPORT
26/a	0020042021DA	INSTRUCTION FRAME RAL9022
26/b	0020042021NA	INSTRUCTION FRAME (BLACK)
27	0020042175	PLEXIGLASS HOOK
28	0020042320	GRAPHIC PANEL COVER
29	0020042015	PLEXIGLASS PICTURE
30		See table KEYBOARD
31/a	0020042013DA	RIGHT DOOR COVER RAL9006
31/b	0020042838CM	RIGHT DOOR COVE (RAL9006)
32/a	0020042058DA	LEFT DOOR COVER RAL9006
32/b	0020042840CM	LEFT DOOR COVER (RAL9006)
33 1	1150003213DA	LOCK RIELDA RAL9022
33 1/a	1150003126DA	SLEEVE (RAL9022)
33 1/b	1150002112DA	SLEEVE RAL9022
33 1/c	1150002111	PIN
33 1/d	1150002113	SPRING
33 1/e	VIT0006508	RING 10
33 1/f	VIT0005203	DOWEL PIN 4X18
33 1/g	SER0000022	LOCK
33 2	1150003200NA	LOCK BLACK
33 2/a	1150003126NA	SLEEVE BLACK
33 2/b	1150002112NA	SLEEVE (BLACK)
33 2/c	1150002111	PIN
33 2/d	1150002113	SPRING
33 2/e	VIT0006508	RING 10
33 2/f	VIT0005203	DOWEL PIN 4X18
33 2/g	SER0000003	LOCK
34	VIT0000125	SCREW COUNT FLAT HEAD M4X45
35	VIT0004815	NUT M4
36	0020042280	LOCK PROTECTION
37	0020042036	LOCK PLATE
38	VIT0003302	WASHER 5.5X15X1.6
39	VIT0003104	SPRING WASHER 5.3
40	0020034172	DOOR STOP
41	VIT0007102	BENZING CLIP
42	0020034173	DOOR STOP IN

LUCE X2 PRO - internal door

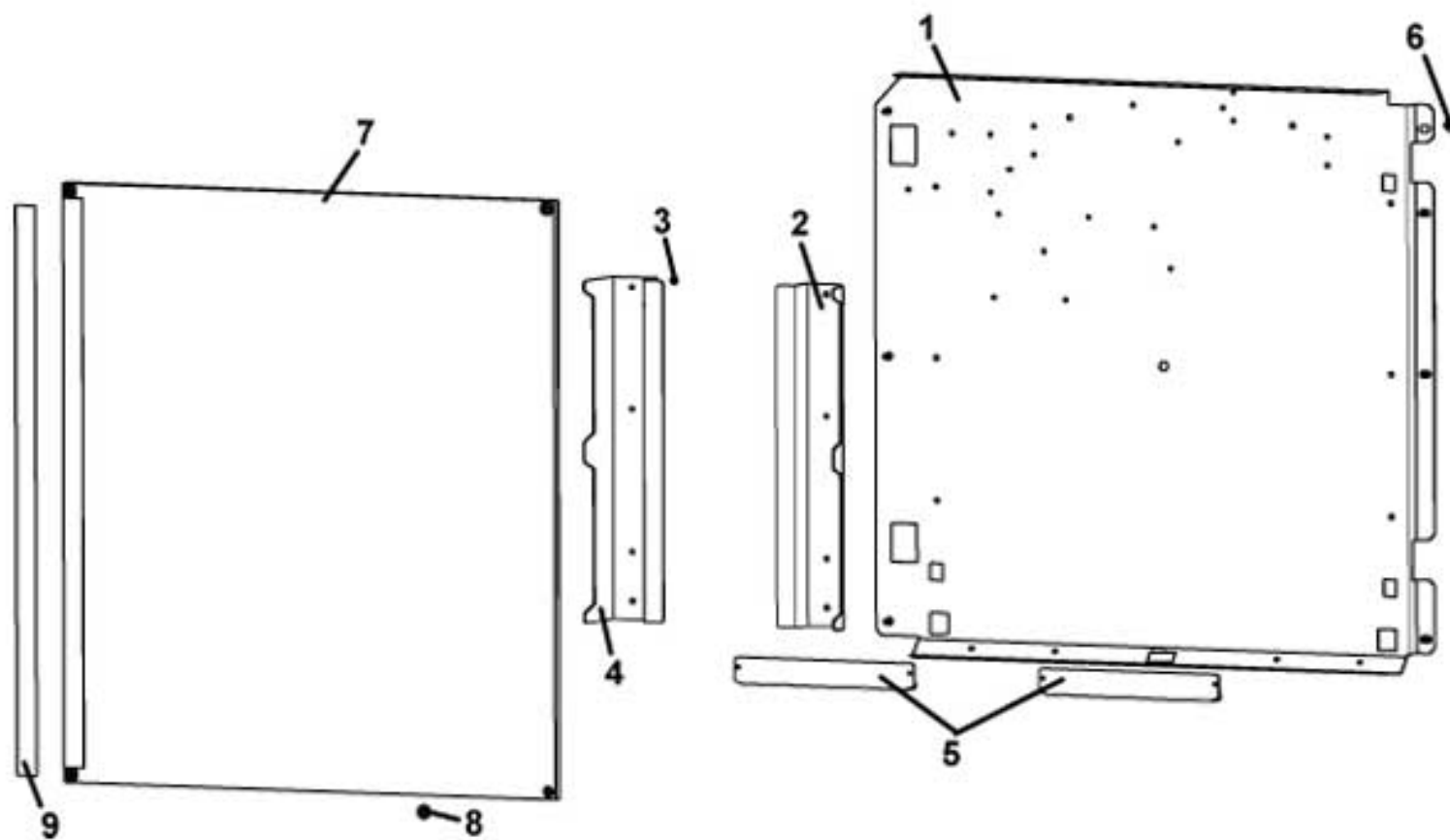


LUCE X2 PRO

LUCE X2 PRO - internal door

Pos. Code	Description	
1	0020042005	AS DOOR
2	0020042055	INSTRUCTION MODULE SUPPORT
3	0020042106	PAY. SYSTEM PLATE
4	VIT0002401	SCREW ST HEAD CAP M3.5X9.5
5	0020042149	PAYMENT SYSTEM PLATE
7	0020042063	PAYM SYSTEM SUPPORT
8	0020042913-02	DOOR BLOCK SHAFT
9	0020029923	FIXING SCREW
10	0020042911	DOOR BLOCK SHAFT SPRING
11	0020042103	CPU SUPPORT
12	SCH0007902	CPU BOARD
13	ELE0062003	BOARD SUPPORT
14	0020042083	COIN ENTRY GUIDE
15	0020042051CY	COINS ENTRY CHUTE RAL9018
16	0020042052	LOWER BRACKET
17	0020042057	UPPER BRACKET
18	0020042064	COIN RETURN BUTTON PLATE
19	0020034173	DOOR STOP IN
20	0020042062XC	COIN RETURN BUTTON CHROMO
21	0020034023	COIN RETURN PIN
22	4050010074	COIN RETURN BUTTON SPRING
23	0020042122	5C COIN BOX RETURN PROTECTION
24	ELE0000103	MAGNETIC CLICK-LOCK
25/a	0020042097-05	5C COIN BOX PROTECTION
25/b	0020042919-01	PAY. SYSTEM COVER 4C
26	0020034823	HANDLE
27	0020042172	CLEANING KEYBOARD FRONTAL
	0020042172AH	CLEANING KEYBOARD FRONTAL RAL 9003 SIGNAL WHITE
28	SCH0007182	PROGRAM KEYPAD
29	VIT0002469	SCREW HEAD TAP M3.5X10
30	0020042171	KEYBOARD COVER
31	0020042164	PROGRAMM LABEL
32	0020042165	CLEANING LABEL
33	SCH0008420	KEYPAD BOARD
34	0020042173NA	KEYPAD COVER BLACK
35/a		See table 1 TURRET DB SUPPORT
35/b		See table 2 TURRETS DB SUPPORT
36	VIT0000236	SCREW HEX HEAD M6X11
37	0020042110	PAY. SYSTEM SUPPORT COVER
38	0020042031	COIN MECH. COVER
39	0020042124	UPPER HINGE TURRET SUPPORT
40/a	0020042188	TURRET 5COLUMNS UPPER HINGE
40/b	0020042126	TURRET 4COLUMNS UPPER HINGE
41	0020038167	HINGE SPACER
42	0020034173	DOOR STOP IN
43	VIT0007102	BENZING CLIP
44	0020042162	DOOR SWITCH SUPPORT
45/a	0020042142	INGREDIENT CANISTER SUPPORT For version 1 turret
45/b	0020042150	INGREDIENT CANISTER SUPPORT For versione 2 turrets
46	VIT0007020	BLIND RIVET

LUCE X2 PRO - upper lighting kit

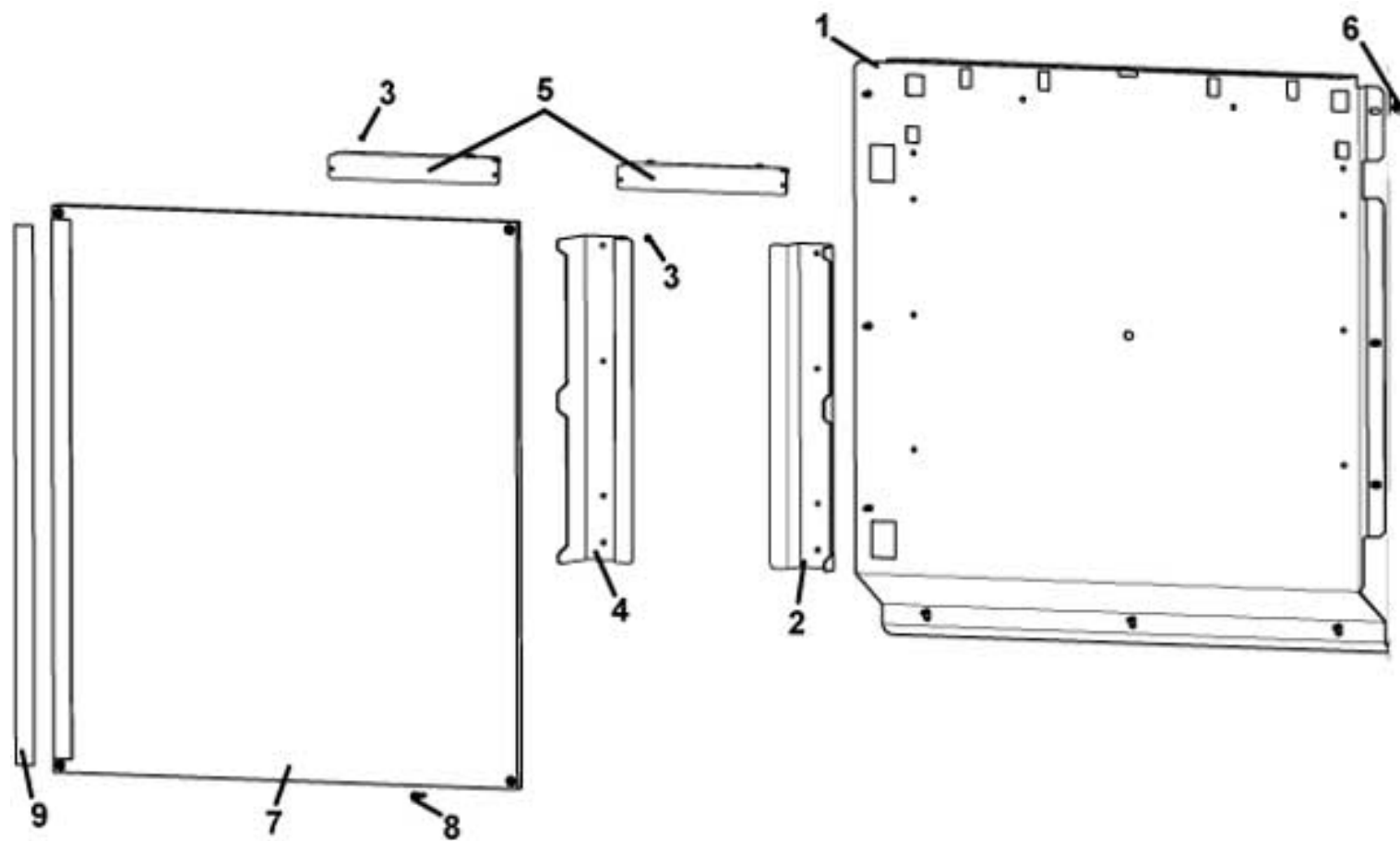


LUCÉ X2 PRO

LUCÉ X2 PRO - upper lighting kit

Pos. Code	Description
1 0020042016	UPPER GRAPHIC PANEL PLATE
2 0020042254	LEFT GRAPHIC PANEL SUPPORT
3 VIT0007020	BLIND RIVET
4 0020042253	RIGHT GRAPHIC PANEL SUPPORT
5 0020042296	LIGHTING PANEL FIXING SUPPORT
6 VIT0002401	SCREW ST HEAD CAP M3.5X9.5
7 0020042272R	PLEXIGLASS GRAPHIC PANEL Pos.7+9
8 VIT0002012	SCREW ST HEAD CAP M2.9X16
9 0020042307	LED COVER

LUCE X2 PRO - bottom lighting kit

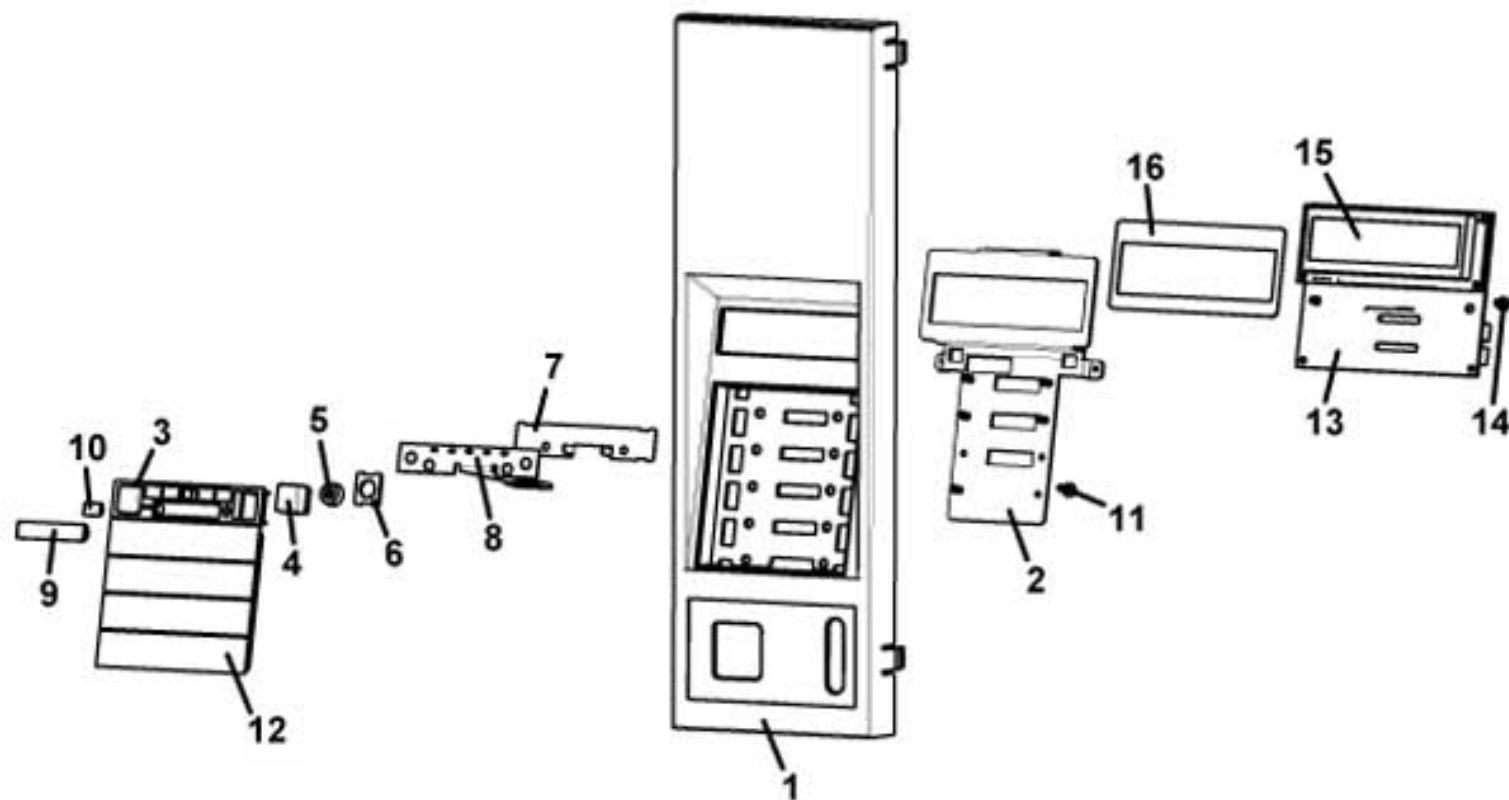


LUCÉ X2 PRO

LUCÉ X2 PRO - bottom lighting kit

Pos. Code	Description
1 0020042148	LOWER GRAPHIC PANEL PLATE
2 0020042254	LEFT GRAPHIC PANEL SUPPORT
3 VIT0007020	BLIND RIVET
4 0020042253	RIGHT GRAPHIC PANEL SUPPORT
5 0020042296	LIGHTING PANEL FIXING SUPPORT
6 VIT0002401	SCREW ST HEAD CAP M3.5X9.5
7 0020042272R	PLEXIGLASS GRAPHIC PANEL Pos.7+9
8 VIT0002012	SCREW ST HEAD CAP M2.9X16
9 0020042307	LED COVER

LUCE X2 PRO - display kit

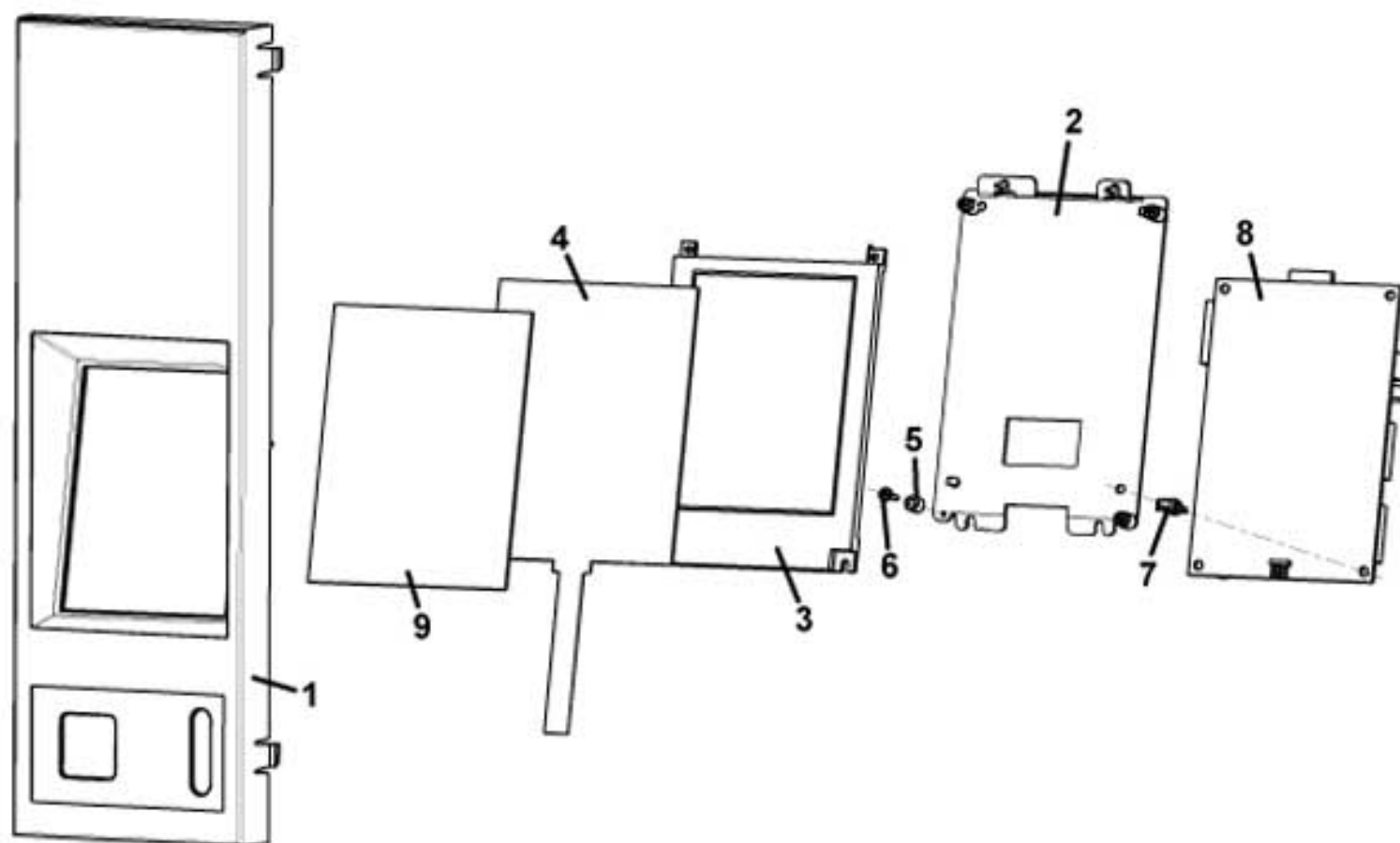


LUCÉ X2 PRO

LUCÉ X2 PRO - display kit

Pos. Code	Description
1/a 0020042043DA	DISPLAY PANEL RAL9022
1/b 0020042043NA	DISPLAY PANEL (BLACK)
2 0020042087	SUGAR DISPLAY SUPPORT
3/a 0020042143DA	SUGAR MODULE RAL9022
3/b 0020042143NA	SUGAR MODULE (BLACK)
4/a 0020042081DA	SUGAR BUTTON RAL9022
4/b 0020042081CM	SUGAR BUTTON RAL9006
5 0020034311	SPRING
6 0020042153	SPACER
7 0020042155	KEYPAD SUPPORT
8 0020042154	KEYPAD 2 BUTTON
9 0020042146	PLEXIGLASS REGUL. SUGAR MODULE
10 0020042144	PLEXIGLASS LED
11 VIT0002011	SCREW ST HEAD CAP M2.9X9.5
12/a 0020042158DA	DISPLAY PANEL PLUG RAL9022
12/b 0020042158NA	DISPLAY PANEL PLUG (BLACK)
12/c 0020042157	5P DISPLAY BAND PLUG
0020042157CW	5P DISPLAY BAND PLUG B TRAFFIC GREY
0020042157DA	5P DISPLAY BAND PLUG PEARL LIGHT GREY RAL 9022
0020042157DC	5P DISPLAY BAND PLUG ALUMINIUM GREY
0020042157DD	5P DISPLAY BAND PLUG BLUE GREY
13 SCH0009420	DISPLAY BOARD
14 VIT0002009	SCREW ST HEAD CAP M3.5X6.5
15 0020030271	PLEXIGLASS DISPLAY
16 0020042221	DISPLAY INSULATOR
100 0020042143DAR	SUGAR MODULE RAL9022
100 0020042143NAR	SUGAR MODULE (BLACK)

LUCE X2 PRO - TOUCH SCREEN KIT

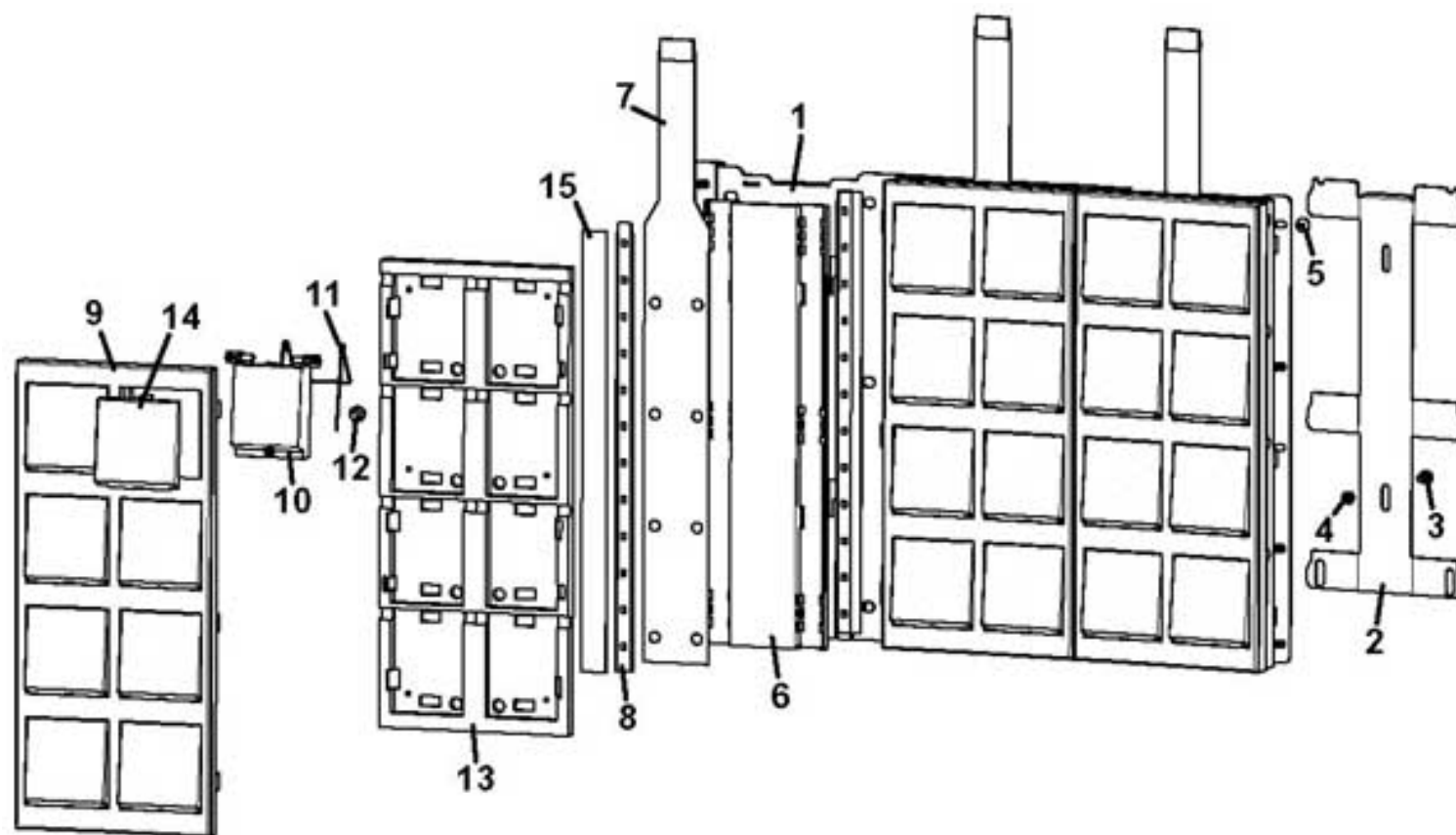


LUCÉ X2 PRO

LUCÉ X2 PRO - TOUCH SCREEN KIT

Pos. Code	Description
1	0020042193 TOUCH SCREEN BAND
	0020042193CG TOUCH SCREEN BAND LIGHT GREY RAL 7035
	0020042193CM TOUCH SCREEN BAND MERCEDES GREY RAL 9006
	0020042193DA TOUCH SCREEN BAND PEARL LIGHT GREY RAL 9022
	0020042193DB TOUCH SCREEN BAND QUARTZ GREY RAL 7039
	0020042193EB TOUCH SCREEN BAND GREY BROWN
	0020042193NA TOUCH SCREEN BAND BLACK
2	0020042258 TOUCH SCREEN SUPPORT
3	ELT0030429 LCD TFT 5.7"
4	ELT0030444 TOUCH PANEL 5,8"
5	0020042265 SPACER
6	VIT0000005 SCREW HEAD TAP CAP M3X12
7	ELE0062003 BOARD SUPPORT
8	SCH0007561 LCD 5,7" GPU BOARD
9	0020042275 DISPLAY COVER

LUCE X2 PRO - KEYBOARD

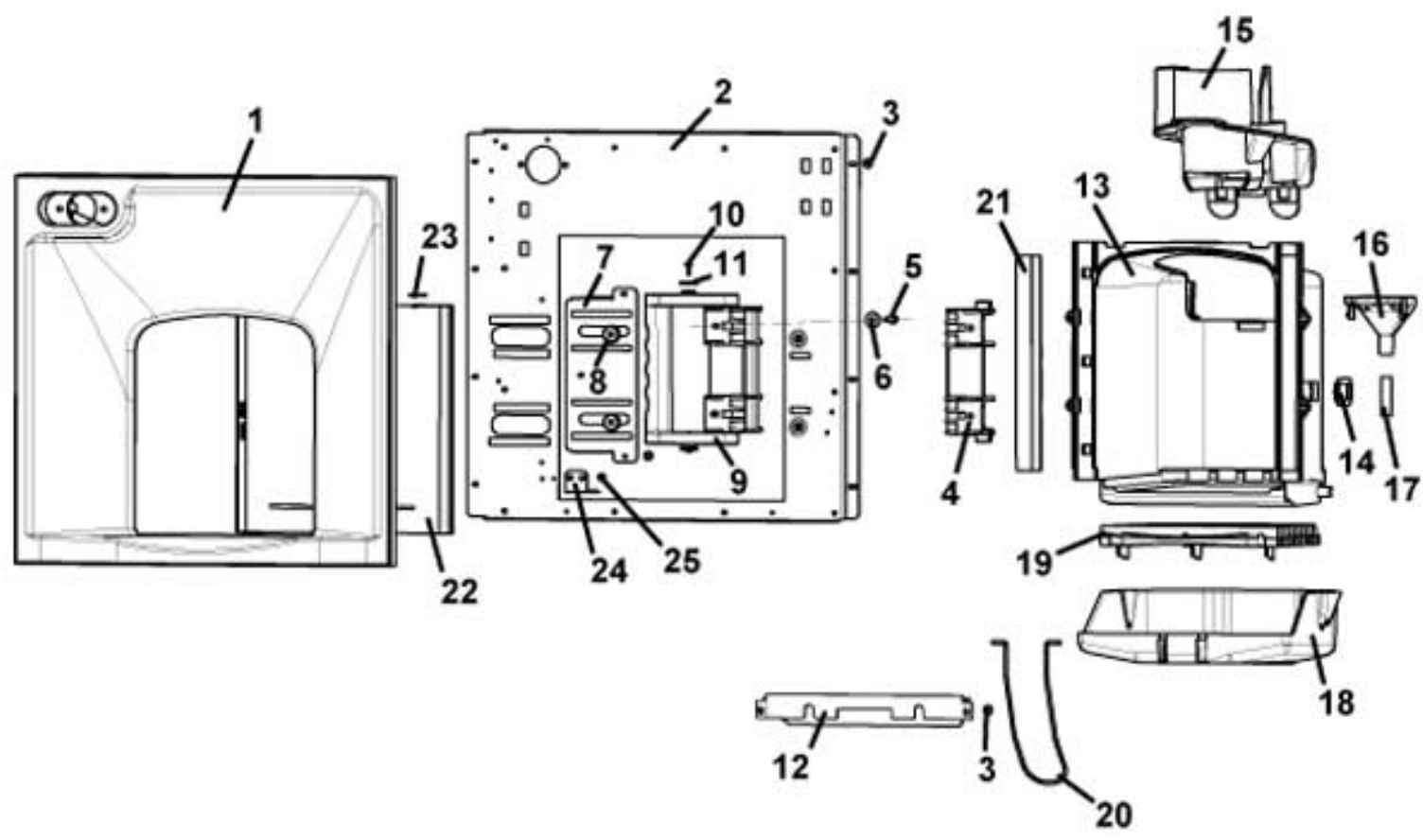


LUCÉ X2 PRO

LUCÉ X2 PRO - KEYBOARD

Pos. Code	Description
1 0020042176	KEYPAD SUPPORT
2 0020042123	FRAME REMOVE LEVER
3 4060010126	PAYM SYSTEM FIXING SCREW
4 VIT0004503	NUT M4
5 VIT0002401	SCREW ST HEAD CAP M3.5X9.5
6 0020042236	KEYPAD SUPPORT
7 0020042024	KEYPAD 8 BUTTON
8 0020042234	12 ADHESIVE LED STRIP
9/a 0020042025DA	BUTTON FRAME RAL9022
9/b 0020042025NA	BUTTON FRAME BLACK
10 0020042027TR	SELECTION BUTTON
11 0020042012	SELECTION BUTTON SPRING
12 0020042023	SELECTION BUTTON PLUG
13 0020042026	KEYPAD SUPPORT
14 0020042028	TRANSPARENT BUTTON LID
15/a 0020042238ID	ORANGE LED FILTER
15/b 0020042238PM	BLUE LED FILTER

LUCE X2 PRO - 1 turret cups station

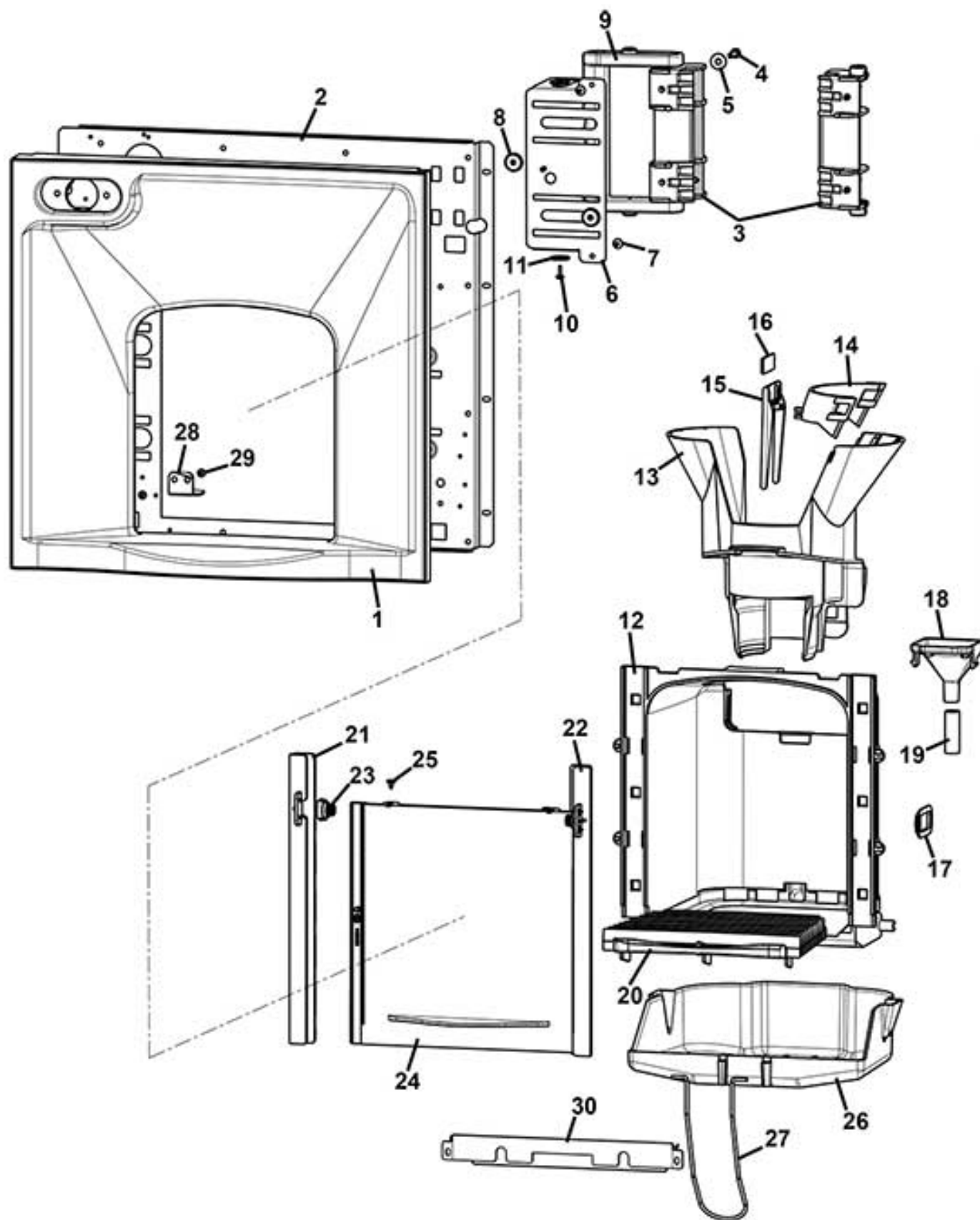


LUCE X2 PRO

LUCE X2 PRO - 1 turret cups station

Pos. Code	Description
1 0400009013	CUPS STATION FRAME
0400009013DA	CUPS STATION FRAME PEARL LIGHT GREY RAL 9022
0400009013DB	CUPS STATION FRAME QUARTZ GREY RAL 7039
0400009013DC	CUPS STATION FRAME ALUMINIUM GREY
0400009013DD	CUPS STATION FRAME BLUE GREY
0400009013EB	CUPS STATION FRAME GREY BROWN
0400009013NA	CUPS STATION FRAME BLACK
2 0400009014	CUPS STATION SUPPORT
3 VIT0002401	SCREW ST HEAD CAP M3.5X9.5
4 0400009007	BAND SUPPORT
0400009007CY	BAND SUPPORT TECHNIC GREY RAL 9018
5 VIT0000210	5x18 T.E. SCREW
6 VIT0003302	WASHER 5,5X15X1,6
7 0400009121	HANDLE SUPPORT
8 0400009009	CUP STATION SPACER
9 0400009008	STATION BAND HANDLE
0400009008IC	STATION BAND HANDLE ORANGE RAL 2011
10 VIT0002469	SCREW HEAD TAP M3.5X10
11 VIT0003303	WASHER 6,6X18X1,5
12 0400009012	DRIP TRAY
13 0400009001	CUPS STATION BAND
0400009001CW	CUPS STATION BAND B TRAFFIC GREY
14 0400009018	SENSOR PLUG
15 0400009003	SINGLE CUPS FEEDER
0400009003CW	SINGLE CUPS FEEDER B TRAFFIC GREY
16 0400009015	DRIP TRAY CHUTE
0400009015CI	DRIP TRAY CHUTE TRAFFIC GREY RAL 7042
0400009015CW	DRIP TRAY CHUTE B TRAFFIC GREY
17 TSIL07/11T	SILICON HOSE 7X11
18 0400009011	LIQUIND FEEDER
0400009011CW	LIQUIND FEEDER B TRAFFIC GREY
19 0400009019	CUP STATION GRID
0400009019CW	CUP STATION GRID B TRAFFIC GREY
20 0150001105	DRIP TRAY SPRING
21 0400009004	DOOR GUIDE
0400009004CW	DOOR GUIDE B TRAFFIC GREY
22 0400009006	FLAP
23 GUA0011017	MACHINE FOOT D.7,9
24 0400009025	SPACER PLATE
25 VIT0002009	SCREW ST HEAD CAP M3.5X6.5

LUCE X2 PRO - 2 turrets cups station

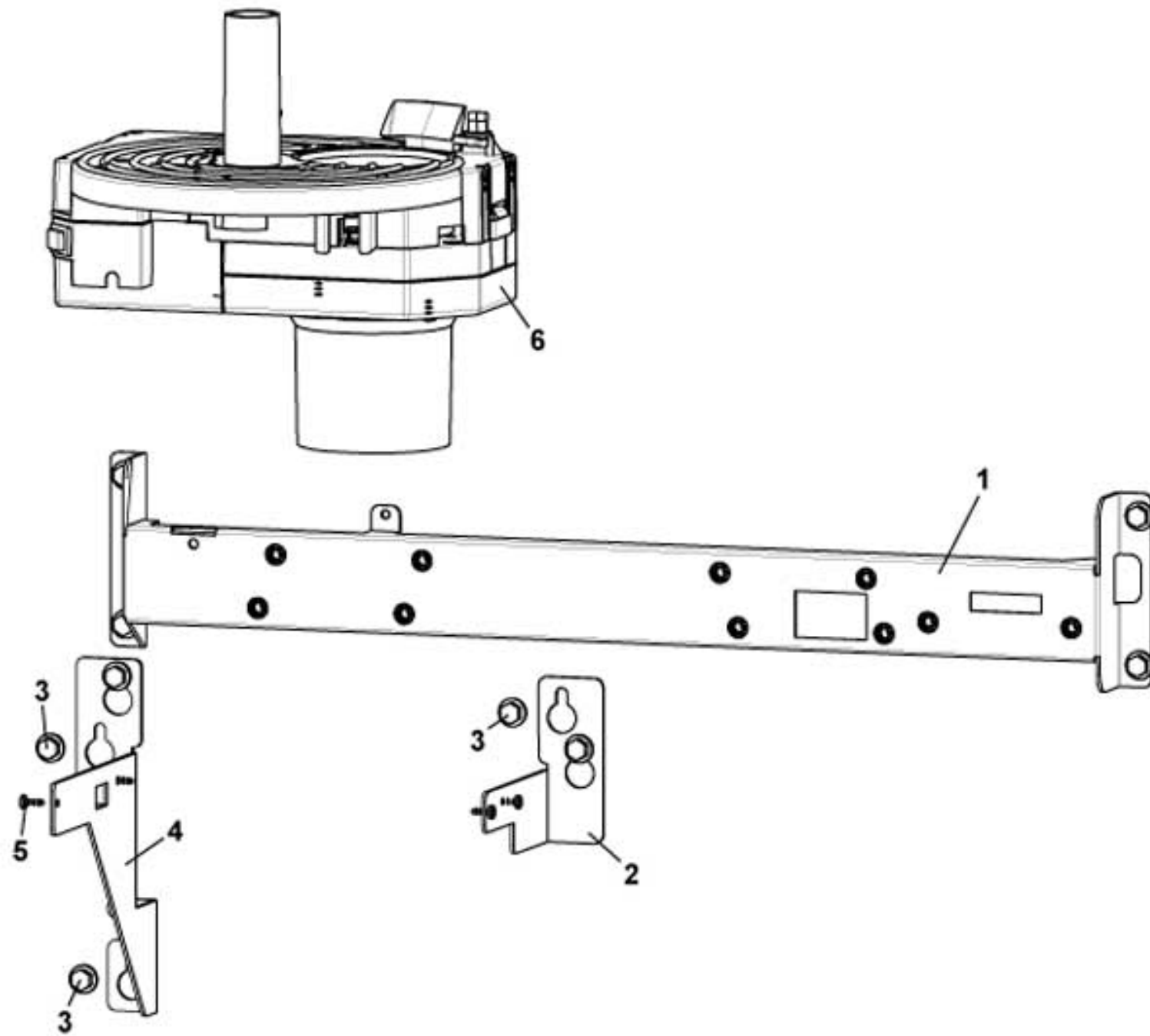


LUCÉ X2 PRO

LUCÉ X2 PRO - 2 turrets cups station

Pos. Code	Description
1 0400009013NA	CUPS STATION FRAME BLACK
2 0400009014	CUPS STATION SUPPORT
3 0400009007CY	CUP STATION PLATE
4 VIT0001110	SCREW HEX HEAD M5X20
5 VIT0003302	WASHER 5,5X15X1,6
6 0400009121	HANDLE SUPPORT
7 VIT0002401	SCREW ST HEAD CAP M3.5X9.5
8 0400009009	CUP STATION SPACER
9 0400009008IC	CUP STATION HANDLE RAL2011
10 VIT0002469	SCREW HEAD TAP M3.5X10
11 VIT0003305	WASHER 5,5X20X2
12 0400009001CW	CUPS STATION FRAME RAL7043
13 0400009002CW	DOUBLE CUP CHUTE RAL7043
14 0400009026CW	DOUBLE CHUTE ADAPTER RAL7043
15 0400009027CW	CUP STOPPER RAL7043
16 0020042219	CUP STOPPER WEIGHT
17 0400009018	SENSOR PLUG
18 0400009015CW	DROPS CHUTE RAL7043
19 TSIL10/14T	SILICON HOSE 10X14
20 0400009019CW	CUP STATION GRID (RAL7043)
21 0400009851CWR	Å§ DOOR GUIDE LH+RH RAL 7043 Pos.21+22
22 0400009851CWR	Å§ DOOR GUIDE LH+RH RAL 7043 Pos.21+22
23 0400009096	FLAP RETARDER
24 0400009006	FLAP
25 GUA0011017	MACHINE FOOT D.7,9
26 0400009011CW	LIQUID CHUTE RAL7043
27 0150001105	DRIP TRAY SPRING
28 0400009025	SPACER PLATE
29 VIT0002009	SCREW ST HEAD CAP M3.5X6.5
30 0400009012	DRIP TRAY

LUCE X2 PRO - 1 TURRET DB SUPPORT

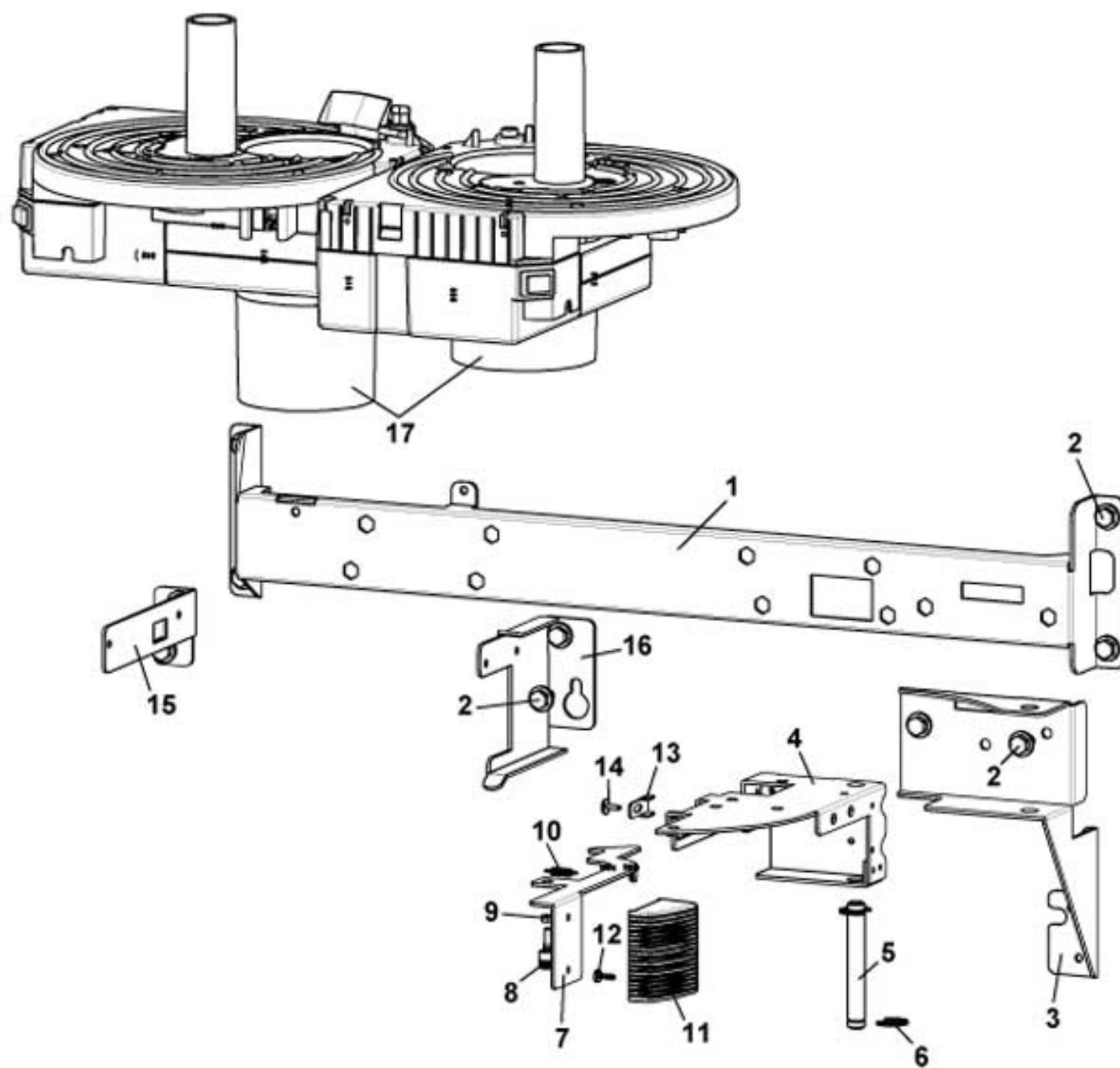


LUCE X2 PRO

LUCE X2 PRO - 1 TURRET DB SUPPORT

Pos. Code	Description
1 0020042069CK	TURRE SUPPORT PLATE RAL7037
2 0020042116	TURRET RIGHT SUPPORT-5COLUMNS
3 VIT0000236	SCREW HEX HEAD M6X11
4 0020042114	TURRET LEFT SUPPORT-5COLUMNS
5 VIT0002469	SCREW HEAD TAP M3.5X10
6	See table cups loader

LUCE X2 PRO - 2 TURRETS DB SUPPORT

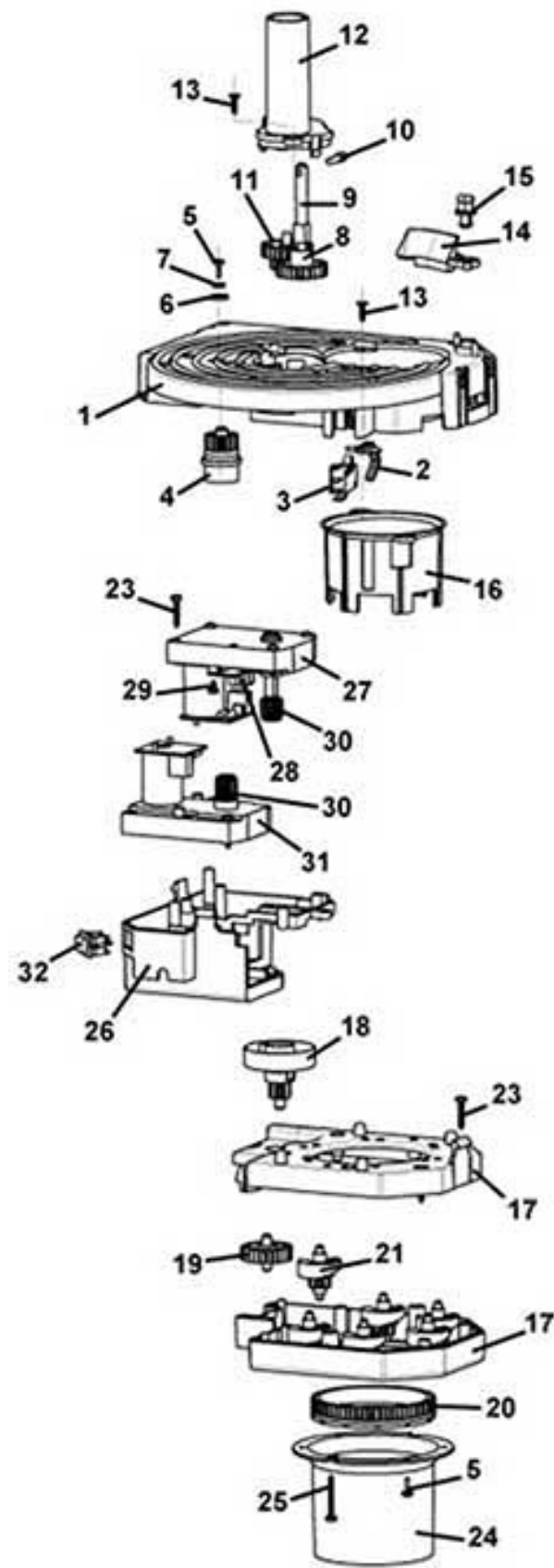


LUCÉ X2 PRO

LUCÉ X2 PRO - 2 TURRETS DB SUPPORT

Pos. Code	Description
1 0020042069CK	TURRE SUPPORT PLATE RAL7037
2 VIT0000236	SCREW HEX HEAD M6X11
3 0020042074	TURRET SUPPORT
4 0020042071	TURRET SUPPORT
5 0020042078	HINGE PIN
6 VIT0006518	RING 9
7 0020042077	TURRET HOOK
8 0020031343	PIN
9 VIT0004503	NUT M4
10 0450003010	SPRING
11 0020042168	TURNING TURRET HANDLE
0020042168IC	TURNING TURRET HANDLE ORANGE RAL 2011
12 VIT0002469	SCREW HEAD TAP M3.5X10
13 0020042076	REGULATION LEVER
14 VIT0002401	SCREW ST HEAD CAP M3.5X9.5
15 0020042066	TURRET LEFT SUPPORT
16 0020042067	TURRET RIGHT SUPPORT
17	See table cups loader

LUCE X2 PRO - cups loader

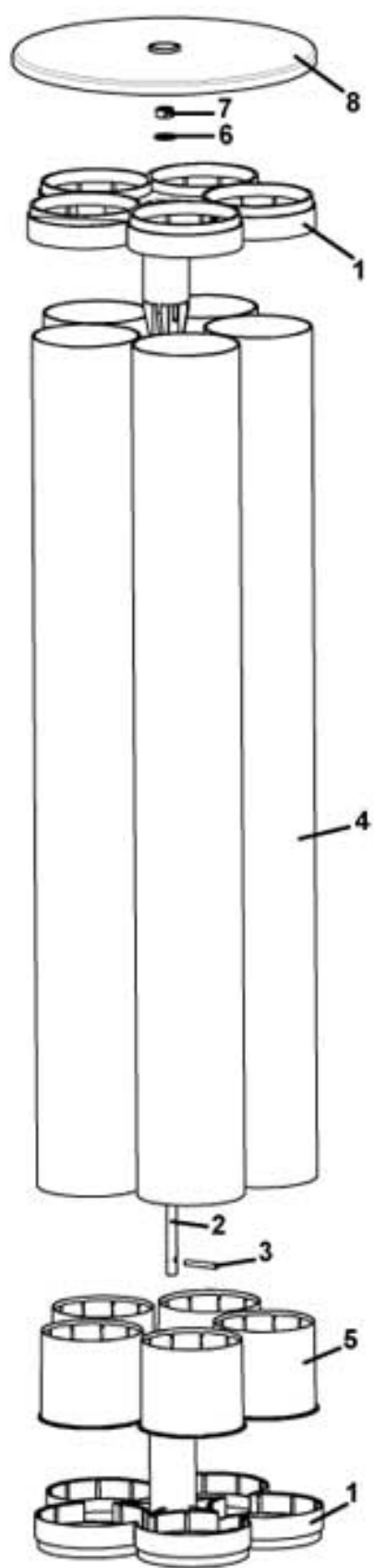


LUCE X2 PRO

LUCE X2 PRO - cups loader

Pos. Code	Description
1	0190006534CY-03 TURRET SUPPORT RAL9018
2/a	0190006543-01 MICROSWITCH LEVER WHITE
2/b	0190006556KA MICROSWITCH LEVER RAL3020
3	ELE0001530 MICROSWITCH 3A 125-250VA
4	0190006546 CUP DISPENSER MOTOR CONNECTOR
5	VIT0002469 SCREW HEAD TAP M3.5X10
6	VIT0003301 WASHER 4.3X12X1.5
7	VIT0003103 SPRING WASHER 4.3
8	0190006503 Z26 WHEEL TURRET (WHITE)
9	0190006536 TURRET SHAFT
10	0190006553 PIN
11	0190006544 Z16 PINION WHITE
12/a	0190006547 5C TURRET CONNECTOR
	0190006547CF 5C TURRET CONNECTOR ANTHRACITE GRAY RAL 7016
12/b	0190006537CY TURRET CUP CONNEC. 4C. RAL9018
13	VIT0002101 SCREW COUNT FLAT HEAD M3.5X13
14	0190006554CY TURRET STOPPER LEVER
15	0190006555CY PIN RAL9018
16/a	0190006538CF CUPS REDUCER D.70 RAL7016
16/b	0190006539 D.73 REDUCTION
	0190006539CY D.73 REDUCTION TECHNIC GREY RAL 9018
17	0190006521CYR LOWER/UPPER CUP DROP MECH. RAL9018
18	0190006511NA CUPS TURRET SPINDLE BLACK
19	0190006528 Z26 WHEEL WHITE
20/a	0190006523 TOOTHED RING NUT D.70/73
20/b	0190006507 TOOTHED RING NUT D.78/80 WHITE
21/a	0190006506 CUP SPLITTER D.70/78 PL
	0190006506IC CUP SPLITTER D.70/78 PL ORANGE RAL 2011
21/b	0190006551GJ SPLIT UP D.70/78-YELLOW PP
21/c	0190006552 CUP SPLITTER D.73 PL
	0190006552CI CUP SPLITTER D.73 PL TRAFFIC GREY RAL 7042
21/d	0190006502 CUP SPLITTER D.73/80 PP WHITE
23	VIT0002456 SCREW HEAD TAP M3.5X25
24/a	0190006514CY CUPS CHUTE 70/73 RAL9018
24/b	0190006515 CUPS CHUTE 78
	0190006515CY CUPS CHUTE 78 TECHNIC GREY RAL 9018
25	VIT0002468 SCREW HEAD TAP M3.5X30
26	0190006522CY MOTOR SUPPORT RAL9018
27	0090002114R2 AS GEARBOX MOTOR 11RPM 24V DC Cups drop
28	SCH0007000 SPLIT UP SENSOR
29	VIT0002002 SCREW ST HEAD CAP M3.5X6.5
30	0190006518 TOOTHED SHAFT Z18 WHITE
31	0090002123R AS GEARBOX MOTOR 5.5RPM 24V DC Column rotation
32	ELE0002258R AS PUSH BUTTON RED
100/a	0190006501CL AS CUPS DISPENSER 5C. D.70 PL
100/b	0190006501CL0 AS CUPS DISPENSER 5C. D.70 PP
100/c	0190006501CL1 AS CUPS DISPENSER 5C. D.73 PL
100/d	0190006501CL2 AS CUPS DISPENSER 5C. D.73 PP
100/e	0190006501CL3 AS CUPS DISPENSER 5C. D.78 PL
100/f	0190006500CL AS CUPS DISPENSER 4C. D.70 PL
100/g	0190006500CL0 AS CUPS DISPENSER 4C. D.70 PP
100/h	0190006500CL1 AS CUPS DISPENSER 4C. D.73 PL
100/i	0190006500CL2 AS CUPS DISPENSER 4C. D.73 PP
100/l	0190006500CL3 AS CUPS DISPENSER 4C. D.78 PL
100/m	0190006500CL5 AS CUPS DISPENSER 4C. D.80 PP
101/a	0190006534CL0R AS TURRET SUPPORT-5COLUMNS (From pos. 1 to pos. 15-pos.12/a and 2/a)
101/b	0190006534CLR AS TURRET SUPPORT-4COLUMNS (From pos. 1 to pos. 15-pos.12/b and 2/a)
101/c	0190006534CL1R AS TURRET SUPPORT-4COLUMNS (From pos. 1 to pos. 15-pos.12/b and 2/b)
102/a	0190006521CLR AS CUP DROP MECH. D.70 PL (From pos. 17 to pos. 24-pos.20/a+21/a+24/a)
102/b	0190006521CL0R AS CUP DROP MECH. D.70 PP (From pos. 17 to pos. 24-pos.20/a+21/b+24/a)
102/c	0190006521CL1R AS CUP DROP MECH. D.73 PL (From pos. 17 to pos. 24-pos.20/a+21/c+24/a)
102/d	0190006521CL2R AS CUP DROP MECH. D.73 PP (From pos. 17 to pos. 24-pos.20/a+21/d+24/b)
102/e	0190006521CL3R AS CUP DROP MECH. D.78 PL (From pos. 17 to pos. 24-pos.20/b+21/a+24/b)
102/f	0190006521CL5R AS CUP DROP MECH. D.80 PP (From pos. 17 to pos. 24-pos.20/b+21/d+24/b)
103	0190006522CLR AS CUPS DISPENSER MOTOR SUPPORT (From pos. 26 to pos. 32)

LUCE X2 PRO - 5 columns cups turret

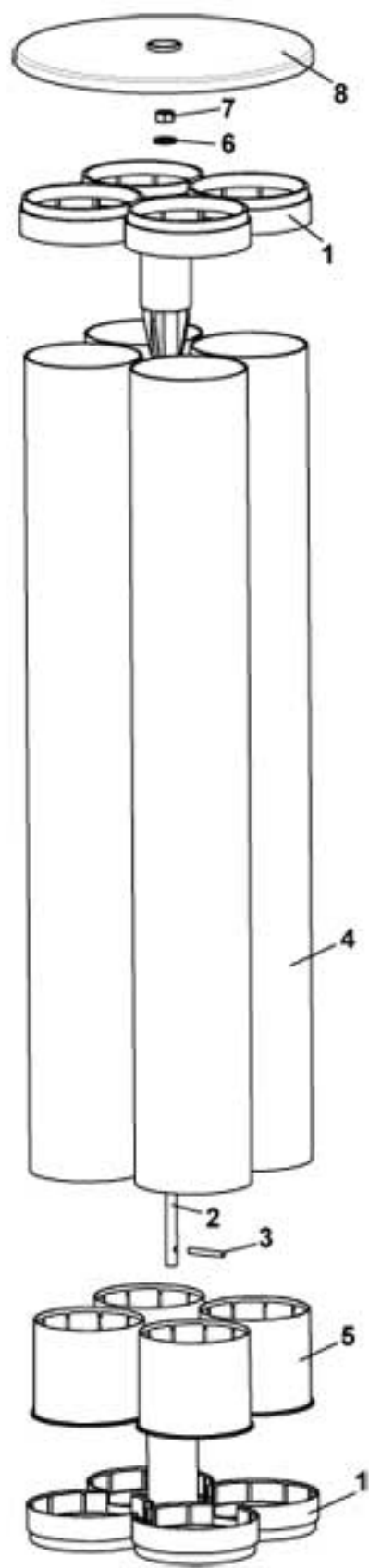


LUCE X2 PRO

LUCE X2 PRO - 5 columns cups turret

Pos.	Code	Description
1	0180013111CY-01	CUP TURRET SPINDLE 5C RAL9018
2	0180013114	1 TURRET SHAFT
3	VIT0005210	DOWEL PIN 4X28
4	0180013109	CUP HOLDER 1T D.84/81MM L600MM
5	0180013113	D.70 COLUMN REDUCTION (WHITE)
6	VIT0003006	WASHER 8,4X17X1,6
7	VIT0004506	NUT M8
8	0180013112	5C TURRET COVER
	0180013112CY	5C TURRET COVER TECHNIC GREY RAL 9018
100	0180013101CL	Å§ CUPS TURRET 5COLUMNS D.70/73 (From pos.1 to pos. 8)
101	0180013101CLO	5C TURRET ASSEMBLY D.78 (From pos.1 to pos. 8-excluded pos.5)

LUCE X2 PRO - 4 columns cups turret

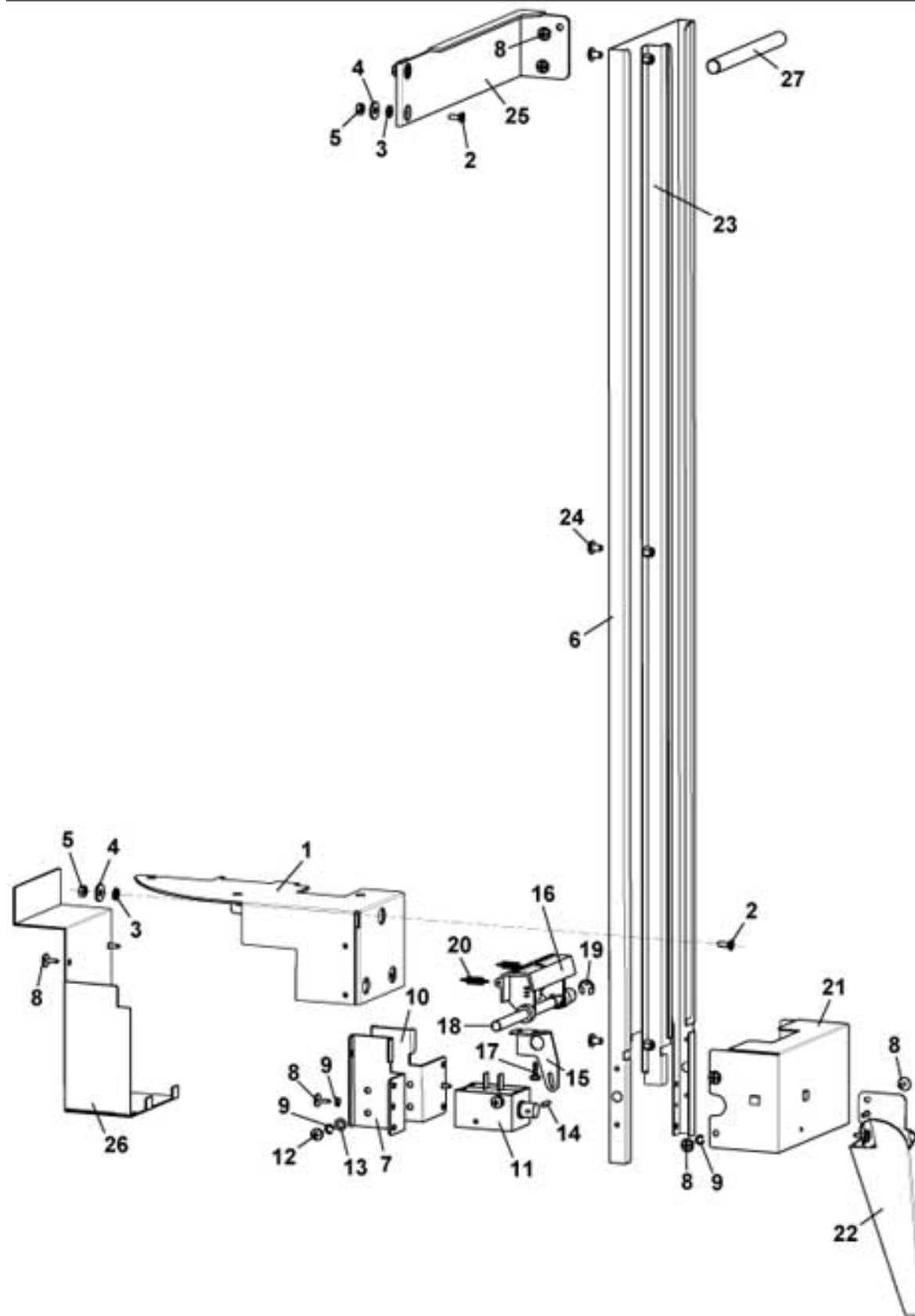


LUCE X2 PRO

LUCE X2 PRO - 4 columns cups turret

Pos. Code	Description
1/a 0180013105CY-01	CUP TURRET SPINDLE 4C RAL9018
1/b 0180013118	CUP TURRET SPINDLE 4C
0180013118CY	CUP TURRET SPINDLE 4C TECHNIC GREY RAL 9018
1/c 0180013122CY-04	CUP TURRET SPINDLE 4C RAL9018
2 0180013108	2 TURRET SHAFT
3 VIT0005210	DOWEL PIN 4X28
4/a 0180013106	CUP HOLDER 2T D.84/81MM L600MM
4/b 0180013117	CUP HOLDER 2T D.87/84MM L600MM
5 0180013113	D.70 COLUMN REDUCTION (WHITE)
6 VIT0003006	WASHER 8,4X17X1,6
7 VIT0004506	NUT M8
8 0180013107CY	CUPS TURRET LID 4C. RAL9018
100 0180013100CL	Å§ CUPS TURRET 4COLUMNS D.70/73 (From pos.1 to pos. 8-pos.1/a+4/a)
101 0180013100CLO	Å§ CUPS TURRET 4COLUMNS D.78 (From pos.1 to pos. 8-pos.1/a+4/a-excluded pos.5)
102 0180013100CL3	Å§ CUPS TURRET 4COLUMNS D.80 (From pos.1 to pos. 8-pos.1/b+1/c+4/b-excluded pos.5)

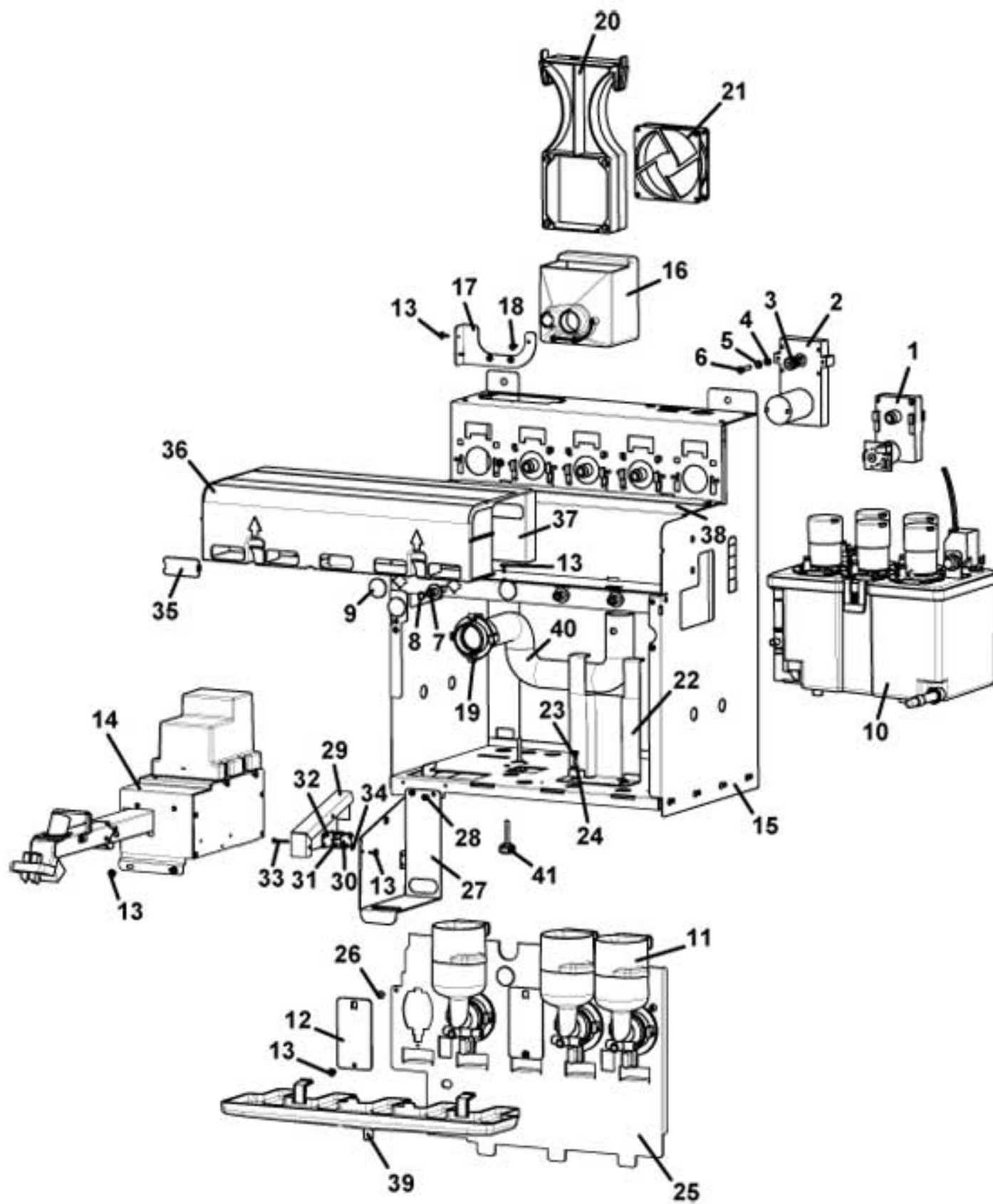
LUCE X2 PRO - sticks dispenser



LUCÉ X2 PRO

LUCÉ X2 PRO - sticks dispenser

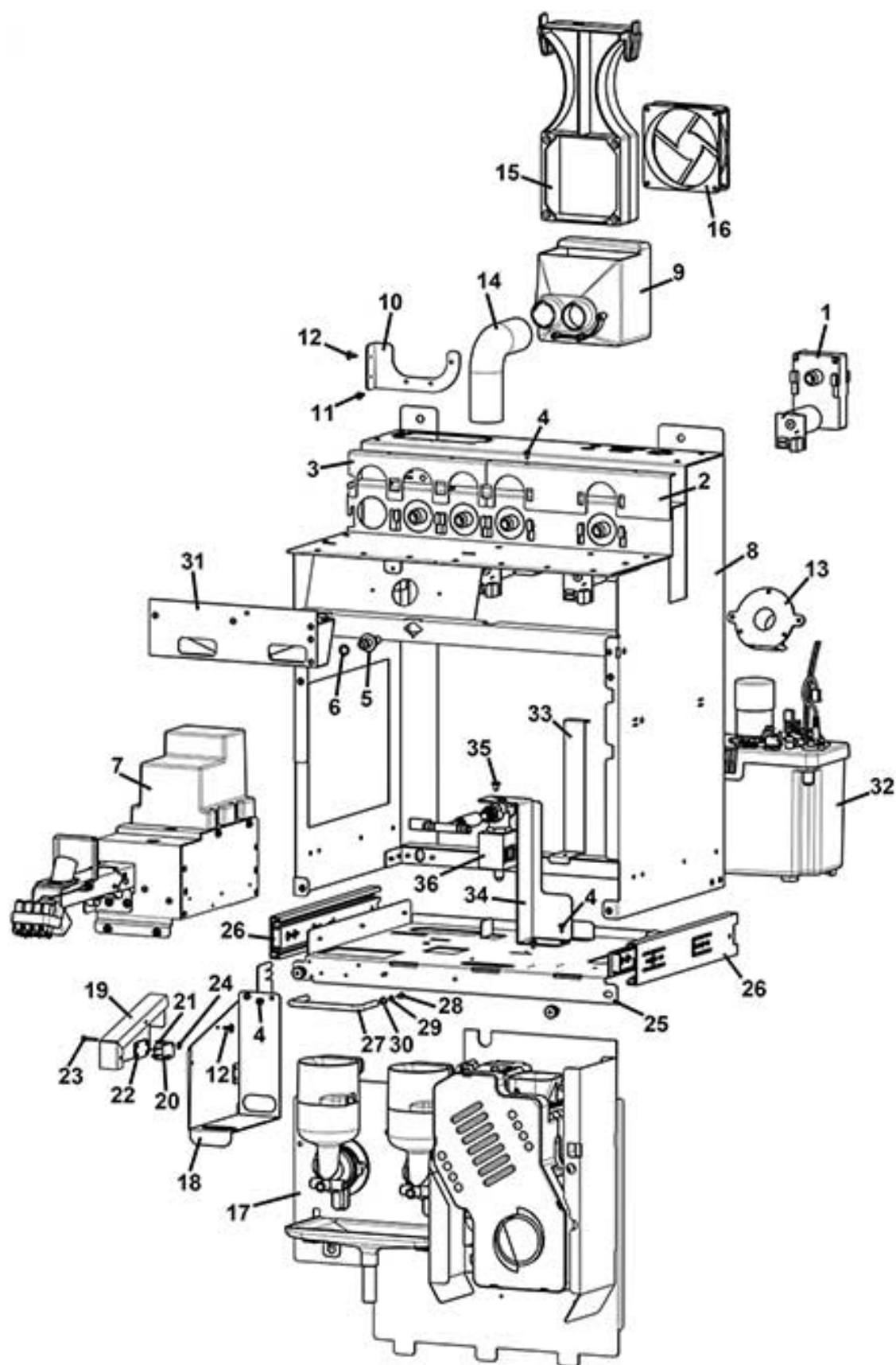
Pos. Code	Description
1 0020042068	STIRRERS SUPPORT
2 VIT0000107	SCREW COUNT FLAT HEAD M4X10
3 VIT0003103	SPRING WASHER 4,3
4 VIT0003302	WASHER 5,5X15X1,6
5 VIT0004815	NUT M4
6 0450011006	STIRRERS CONTAINER 89-104-115
7 0450009139	ELECTROMAGNET RIGHT SUPPORT
8 VIT0002401	SCREW ST HEAD CAP M3.5X9.5
9 VIT0003405	SPRING WASHER 4,3
10 0450009140	ELECTROMAGNET LEFT SUPPORT
11 ELE0000055	ELECTROMAGNET 5% 24V DC
12 VIT0000021	SCREW HEAD TAP CAP M4X6
13 VIT0003003	WASHER 4,3X8X0,8
14 VIT0005211	DOWEL PIN 2.5X12
15 0450009141	ELECTROMAGNET CONNECTING ROD
16 0450002003	STIRRER EJECTOR
17 VIT0002469	SCREW HEAD TAP M3.5X10
18 0450011066	STIRRER EJECTOR PIN
19 VIT0006504	RING 5
20 0450003010	SPRING
21 0450011012	STIRRER FUNNEL 89-104-115 2T
22 0450011017	STIRRER CHUTE 2T
23 0450011019	STIRRERS CONTAINER GUIDE
24 VIT0000030	SCREW HEAD TAP CAP M4X7
25 0020042167	STIRRERS REINFORCEMENT
26 0020042169	ELECTROMAGNET COVER
27/a 4001012030	STIRRER WEIGHT 89MM
27/b 0450003033	STIRRER WEIGHT 104MM
27/c 0450011121	STIRRER WEIGHT 115MM



LUCE X2 PRO

LUCE X2 PRO - solubles dispenser H/5

Pos. Code	Description
1	0090002113R AS GEARBOX MOTOR 24V DC + FILTER
2/a	0090002082 MOTOR 24 DC 50 RPM
2/b	0090002081 MOTOR 24 DC 82 RPM
3	0230012010 PINION
4	0090002079 SPACER
5	VIT0003104 SPRING WASHER 5.3
6	VIT0000015 SCREW HEAD TAP CAP M4X25
7/a	0080100043 MIXER CONNECTOR (BLACK)
7/b	0080100043PL MIXER CONNECTOR-SHORT (BLUE)
7/c	0080100043MD MIXER CONNECTOR-SHORT (GREEN)
7/d	0080100043IC MIXER CONNECTOR-SHORT (ORANGE)
8	GUA0000089 OR 2031 SILICON
9	0080100035NA CONNECTOR PLUG BLACK
10	See table boiler
11	See table mixer
12	0010020028NA MIXER PLUG BLACK
13	VIT0002401 SCREW ST HEAD CAP M3.5X9.5
14	See table distribution pipes movement
15	0070020001-07 HOUSING H5
16	0070020017CY EXTRACTOR FUNNEL RAL9018
17	0070020030 FAN PLATE
18	VIT0002469 SCREW HEAD TAP M3.5X10
19	0070020019CY EXTRATOR TUBE SUPPORT
20	0070020024IC FAN SUPPORT RAL2011
21/a	ELE0000464R AS FAN 24V DC D. 92 Up to serial 20133799999
21/b	ELE0000468R AS FAN 24V DC-HIGH SPEED-D.92 From serial 20133800000
22	0070021013 BOILER BRACKET
23	VIT0001005 SCREW HEAD TAP CAP M4X12
24	VIT0003109 SPRING WASHER 4.3
25	0070020011 MIXER SUPPORT
26	VIT0000012 SCREW HEAD TAP CAP M4X10
27	0070020231 PIPE SUPPORT GUIDE
28	VIT0002009 SCREW ST HEAD CAP M3.5X6.5
29	0070020037 SWITCH COVER
30	ELE0001528 MICROSWITCH
31	NL201106265 MICRO LEVER
32	4600010014 SPACER
33	VIT0000006 SCREW HEAD TAP CAP M3X16
34	VIT0004701 NUT M3
35	0070014776 TRAP PLUG
36	0070020012CY EXTRACTOR DRAWER RAL9018
37	0070020013CY EXTRACTOR COVER RAL9018
38	0070020004 TRAP SUPPORT (BLACK)
39	0070020035CY POWDER TRAY RAL9018
40	TEOL000002 EXTRACTOR TUBE D.30
41	VIT0009164 HANDLE
100	0070020024R1 FAN SUPPORT ASS.Y Pos.20+21/b+0010030121+VIT0002009 Up to serial 2013379999

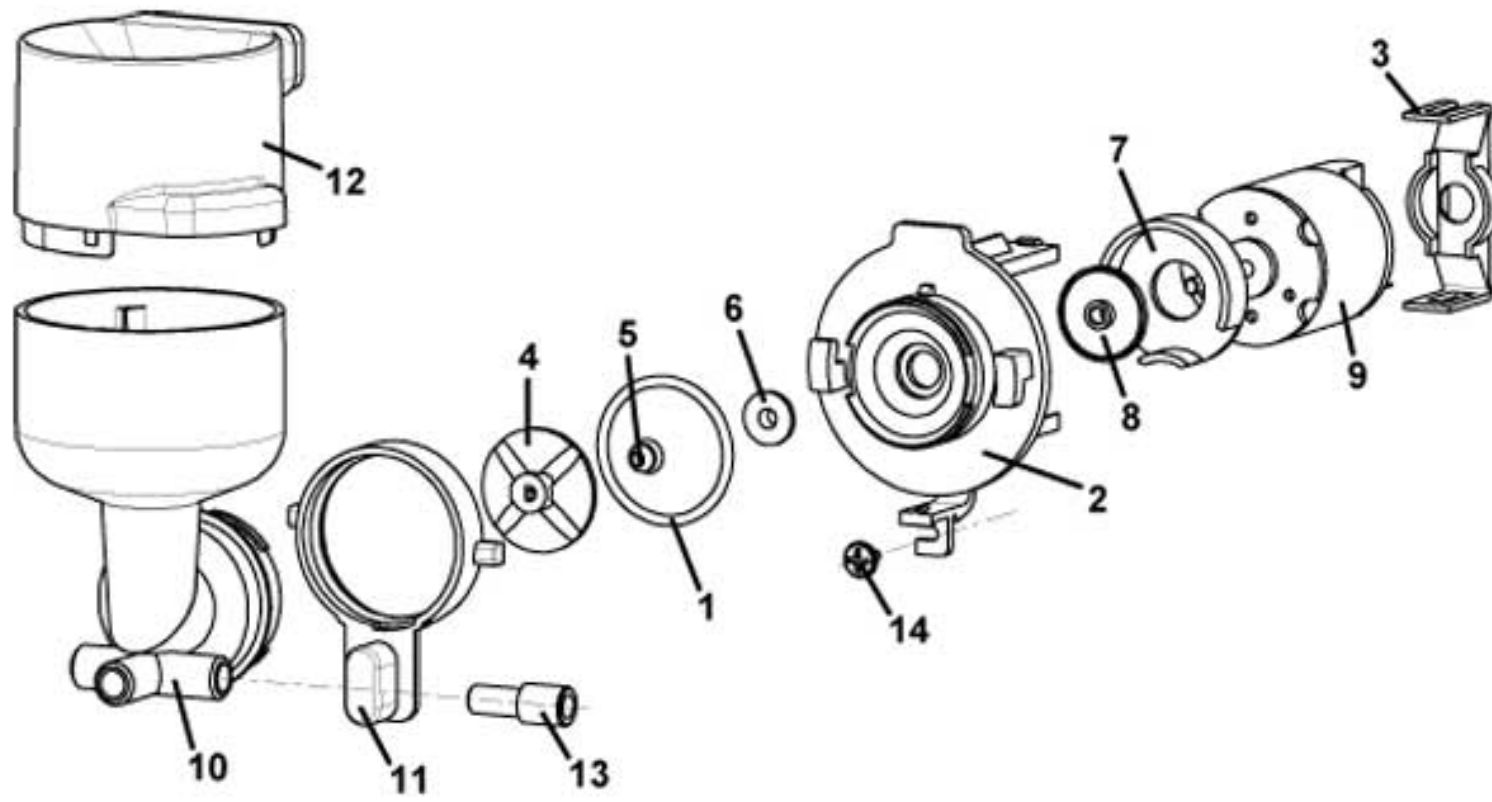


LUCE X2 PRO

LUCE X2 PRO - solubles dispenser H/5 ET

Pos. Code	Description
1	0090002113R A§ GEARBOX MOTOR 24V DC + FILTER
2	0070020220 2 PRD. MOTORS SUPPORT
3	0070021014 3 PRD. MOTORS SUPPORT
4	VIT0002009 SCREW ST HEAD CAP M3.5X6.5
5/a	0080100043GJ MIXER CONNECTION SHORT (YELLOW)
5/b	0080100043IC MIXER CONNECTOR-SHORT (ORANGE)
5/c	0080100043KA MIXER CONNECTOR-SHORT (RED)
5/d	0080100043MD MIXER CONNECTOR-SHORT (GREEN)
5/e	0080100043PL MIXER CONNECTOR-SHORT (BLUE)
6	GUA0000089 OR 2031 SILICON
7	
8	0070020205 TEA GROUP HOUSING
9	0070020017CY EXTRACTOR FUNNEL RAL9018
10	0070020030 FAN PLATE
11	VIT0002469 SCREW HEAD TAP M3.5X10
12	VIT0002401 SCREW ST HEAD CAP M3.5X9.5
13	0010014071 TRAP CONNECTOR
14	TEOL000002 EXTRACTOR TUBE D.30
15	0070020024IC FAN SUPPORT RAL2011
16/a	ELE0000464R A§ FAN 24V DC D. 92 Up to serial 20133799999
16/b	ELE0000468R A§ FAN 24V DC-HIGH SPEED-D.92 From serial 20133800000
17	See table 1 TURRET DB SUPPORT
18	0070020231 PIPE SUPPORT GUIDE
19	0070020037 SWITCH COVER
20	ELE0001528 MICROSWITCH
21	NL201106265 MICRO LEVER
22	4600010014 SPACER
23	VIT0000006 SCREW HEAD TAP CAP M3X16
24	VIT0004701 NUT M3
25	0070020212 MIXERS HOUSING BOTTOM
26	0070015144 TELESCOPIC COUPLE OF GUIDE
27	0070015143 BOTTOM EXTRACTABLE HANDLE
28	VIT0000004 SCREW HEAD TAP CAP M3X10
29	VIT0003102 SPRING WASHER 3,2
30	VIT0003003 WASHER 4,3X8X0,8
31	0070020207 EXHAUST HOUSING
32	See table solubles dispenser H/5
33	0070020228 BOILER FIXING BRACKET
34	0070020227 3-WAYS VALVE SUPPORT
35	VIT0000030 SCREW HEAD TAP CAP M4X7
36	0110001112 VALVE 3W 1/8 24V DC
100	0070020024R1 FAN SUPPORT ASS.Y Pos.15+16/b+0010030121+VIT0002009 Up to serial 20133799999

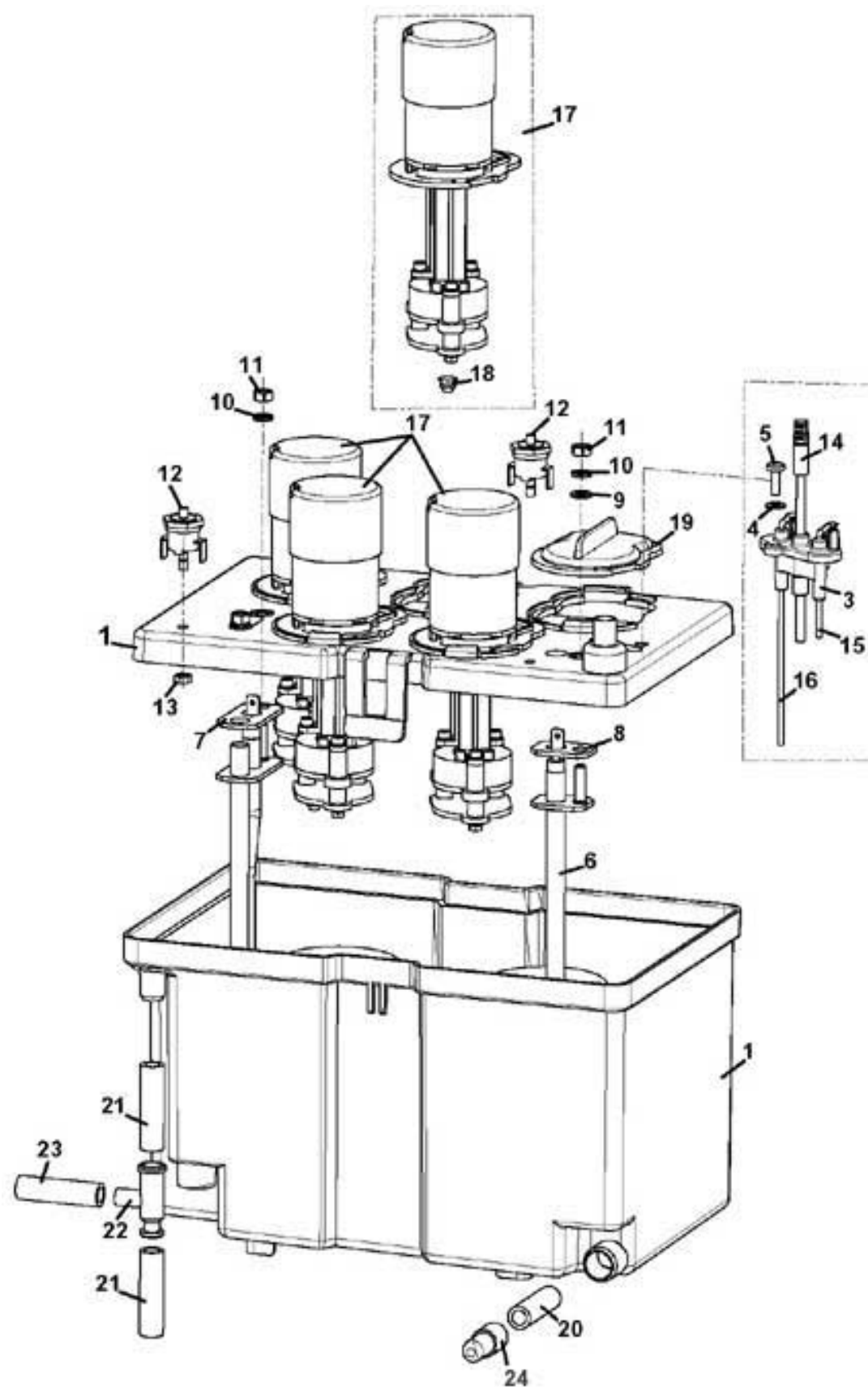
LUCE X2 PRO - mixer



LUCÉ X2 PRO

LUCÉ X2 PRO - mixer

Pos. Code	Description
1 GUA0000084	OR 3131
2 0080100005	MOTOR MIXER BASE
3 0080100009IC	MIXER MOTOR SUPPORT RAL2011
4 0080100011	MIXER FAN
5 0080100101	MIXER SHAFT GASKET
6 0080100015	MIXER BUSH
7 0080100023IC	MIXER COVER RAL2011
8 0080100024	MIXER FAN
9 0090003023	MIXER MOTOR 24V DC SHAFT D.4
10/a_1 0080200110L	MIXING BOWL L.W/H2O BREAKER
10/a_2 0080200111R	MIXING BOWL R.W/H2O BREAKER
10/a_3 0080200112C	MIXING BOWL F.W/H2O BREAKER
10/b_1 0080200107L	MIXING BOWL L.W/O H2O BREAKER
10/b_2 0080200108R	MIXING BOWL R.W/O H2O BREAKER
10/b_3 0080200109C	MIXER BODY W/O INLET W/O LINE CENT.
11 0080100006IC	LOCK RING RAL2011
12/a 0080100031NA	MIXING BOWL EXTRACTOR D.4,25
12/b 0080100029CK	MIXING BOWL EXTRACTOR D.2,3
13 0080100095	TUBE REDUCER4.0
14 VIT0002401	SCREW ST HEAD CAP M3.5X9.5
100 0080100001R	Å§ MIXER BOWL BASE+MOTOR (from pos.1 to pos.9)

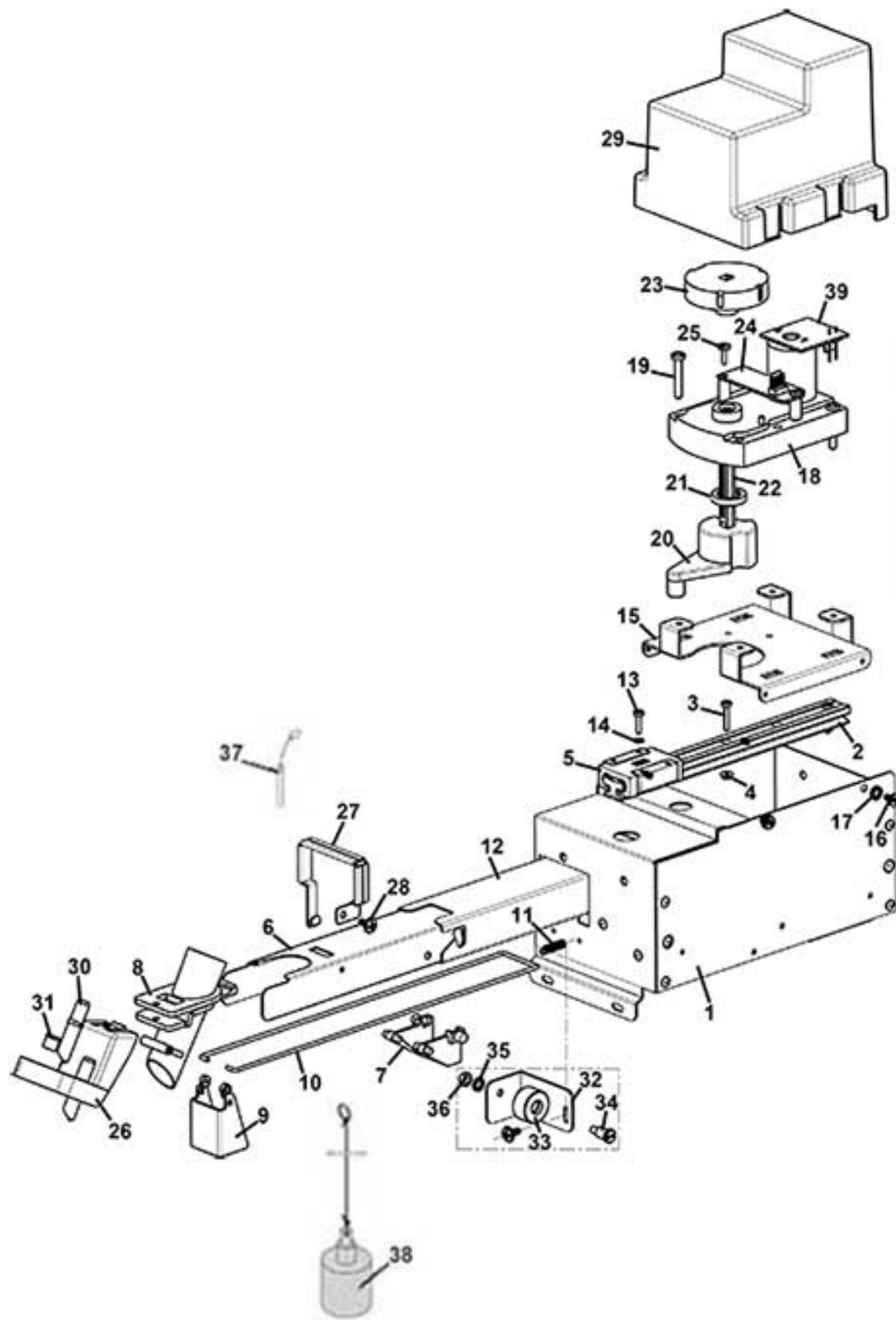


LUCE X2 PRO

LUCE X2 PRO - boiler

Pos. Code	Description
1 0600014111R	Å§ TANK+BOILER COVER
3 0600016089	PROBE SUPPORT
4 VIT0003211	WASHER 4,3X9X0,8
5 VIT0001005	SCREW HEAD TAP CAP M4X12
6 0600016138R	Å§ HEATING ELEMENT 1600W 230V
7 0600014113	HEATING ELEM GASKET
8 0600014114	HEATING ELEM GASKET
9 VIT0003203	WASHER 5,3X10X1
10 VIT0003111	SPRING WASHER 5,3
11 VIT0004804	NUT M5
12 ELE0000965	CLIXSON 88Å°
13 VIT0004816	NUT M4
14 ELE0000978R	SOLUBLES PROBE 80MM
15 0600016054	MAXIMUM LEVEL PROBE
16 0600016053	MINIMUM LEVEL PROBE
17 0600016405R	Å§ BOILER PUMP
18 0080100101	MIXER SHAFT GASKET
19 0600016422	PUMP LID
20 TSIL10/14T	SILICON HOSE 10X14
21 TSIL07/11T	SILICON HOSE 7X11
22 0600016028	T CONNECTOR
23 TSIL05/08T	SILICON HOSE 5X8
24 650001057	DRAINER PLUG
100 0600014100R2	Å§ BOILER 4PUMP
101 0600014101R2	Å§ BOILER 3PUMP 1600W 230V
102 0600014102R2	Å§ BOILER 5PUMP 1600W 230V

LUCE X2 PRO - distribution pipes movement

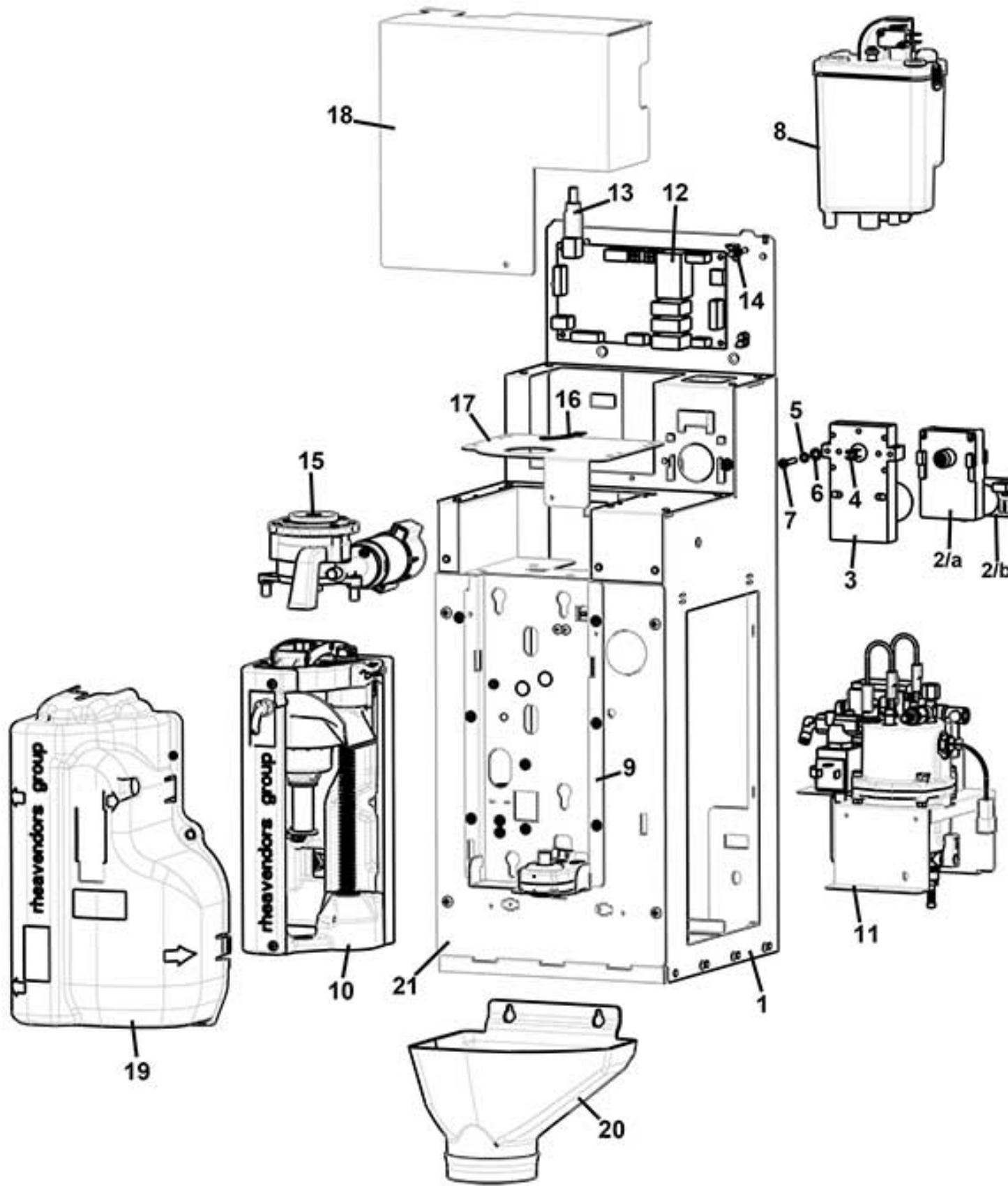


LUCE X2 PRO

LUCE X2 PRO - distribution pipes movement

Pos. Code	Description	
1	0380010827	PIPE MOVEMENT HOUSING
2	0380010796	NOZZLE HOLDER
3	VIT0000006	SCREW HEAD TAP CAP M3X16
4	VIT0004701	NUT M3
5	0380010798	NOZZLE MOVEMENT GUIDE
6	0380010821	NOZZLE HOLDER
7	0380010599	NOZZLE MOVEMENT BUTTON
8	0380011229NA	SUGAR CHUTE (BLACK)
9	0380010424NA	SUGAR SPLITTER
10	0380010823	BRACKET
11	0380010431	SPRING
12	0380010826	NOZZLE MOVEMENT SLIDE
13	VIT0000005	SCREW HEAD TAP CAP M3X12
14	VIT0003102	SPRING WASHER 3,2
15	0380010693	GEAR MOTOR SUPPORT
16	VIT0002009	SCREW ST HEAD CAP M3.5X6.5
17	VIT0003103	SPRING WASHER 4,3
18	0090002109	GEAR MOTOR 24 RPM 24V DC
19	VIT0000015	SCREW HEAD TAP CAP M4X25
20	0380010694	NOZZLE MOVEMENT CAM
21	0380010831	BUSH 20X4
22	0380009542	SUGAR DISPENSER SHAFT
23	0380009541	POSITION DISK NOZZLE MOVEMENT
24	SCH0003700	TUBES SENSOR
25	VIT0002009	SCREW ST HEAD CAP M3.5X6.5
26	0380010655NA	PIPES PRODUCT SUPPORT (BLACK)
27	0380010709	HOSE CLAMP
28	VIT0002401	SCREW ST HEAD CAP M3.5X9.5
29	0380010695NA	NOZZLE MOVEMENT COVER BLACK
30	0380010657NA	ESPRESSO NOZZLE D.5,7 (BLACK)
31	0380010656NA	PLUG BLACK
32	0380012221	BRACKET
33	0380012225NA	BEARING
34	0200001012	PIN BEARING
35	VIT0004503	NUT M4
36	VIT0003103	SPRING WASHER 4,3
37	0380010429CL	Å§ FIXING PLATE PIN
38	0070020038CL2	Å§ WASTE FLOAT
39	SCH0003740	MOTOR FILTER
100	0380010792CL	Å§ NOZZLE MOVEMENT From pos. 1 to pos. 25 and from pos. 32 to pos. 36+39

LUCE X2 PRO - 1 GRINDER - VARIFLEX COFFEE GROUP HOUSING

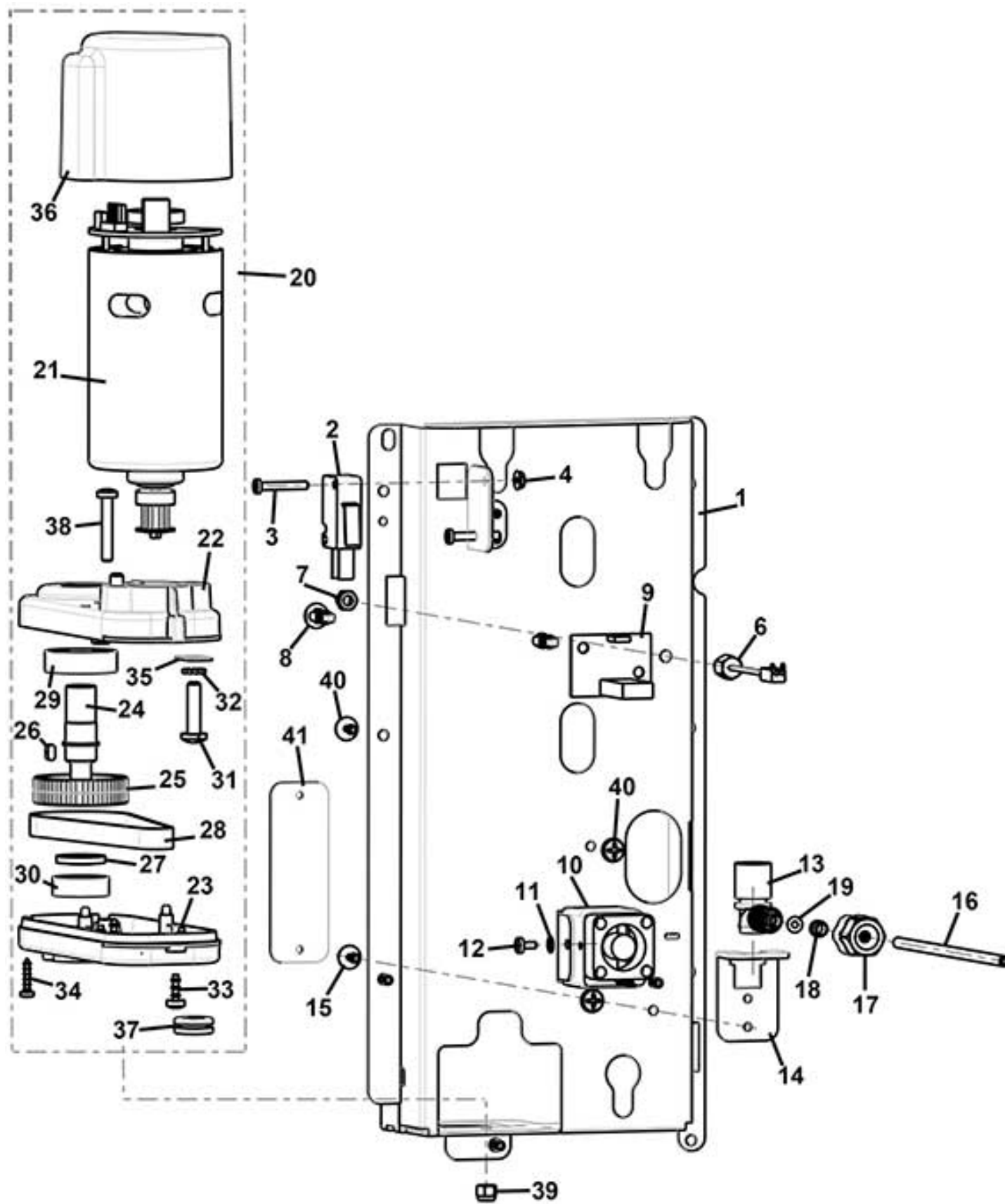


LUCE X2 PRO

LUCE X2 PRO - 1 GRINDER - VARIFLEX COFFEE GROUP HOUSING

Pos. Code	Description
1 0260014455-05	1 GRINDER - VARIFLEX COFFEE GROUP HOUSING
2/a 0090002113	MOTOR 24 DC 97 RPM
2/b SCH0003760	MOTOR FILTER
3 0090002082	MOTOR 24 DC 50 RPM
4 0230012010	PINION
5 VIT0003103	SPRING WASHER 4,3
6 0090002079	SPACER
7 VIT0000015	SCREW HEAD TAP CAP M4X25
8	See table water inlet panel
9	See table PRO BREWER SUPPORT+MOTOR
10	See table PROFESSIONAL BREWER GROUP D.45
11	See table pressobean boiler support
12 SCH0007401	COFFEE BREWER BOARD
13 ELT0030874	USB WIRING 1,5MT
14 ELE0062008	BOARD SUPPORT
15	See table GRINDER
16 0320004729	GRINDER REGULATION LABEL
17 0260014464	CONTAINER SUPPORT
18 0260011134	BOARD PROTECTION
19 0250014074CL	AŞ VARIFLEX BREWER COVER-FS
20 0070015151NA	GROUNDS CONTAINER
21 0260014463-02	1 GRINDER - VARIFLEX COFFEE GROUP SUPPORT
100 0090002113R	AŞ GEARBOX MOTOR 24V DC + FILTER Pos.2/a+2/b

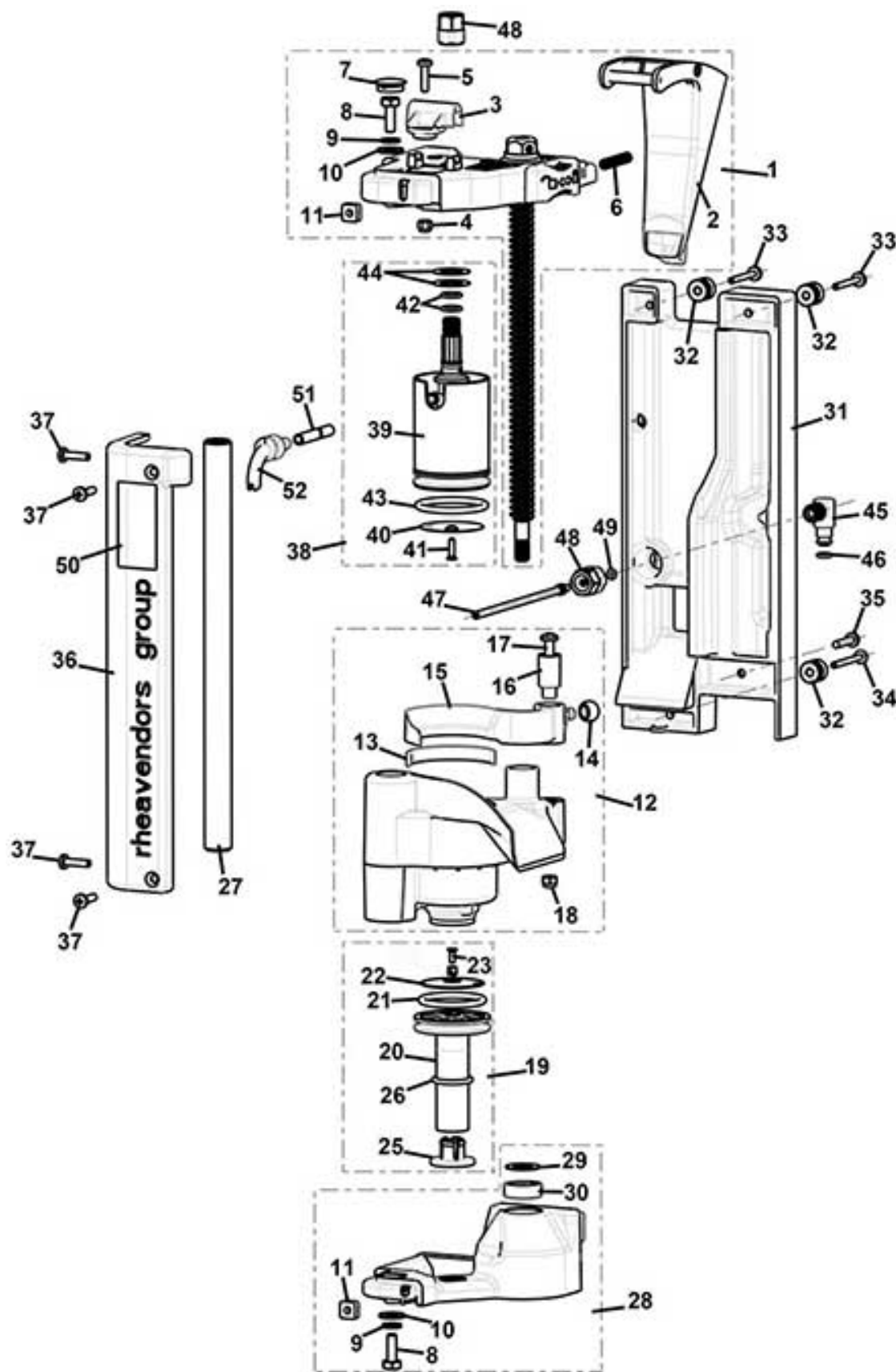
LUCE X2 PRO - PRO BREWER SUPPORT+MOTOR



LUCE X2 PRO

LUCE X2 PRO - PRO BREWER SUPPORT+MOTOR

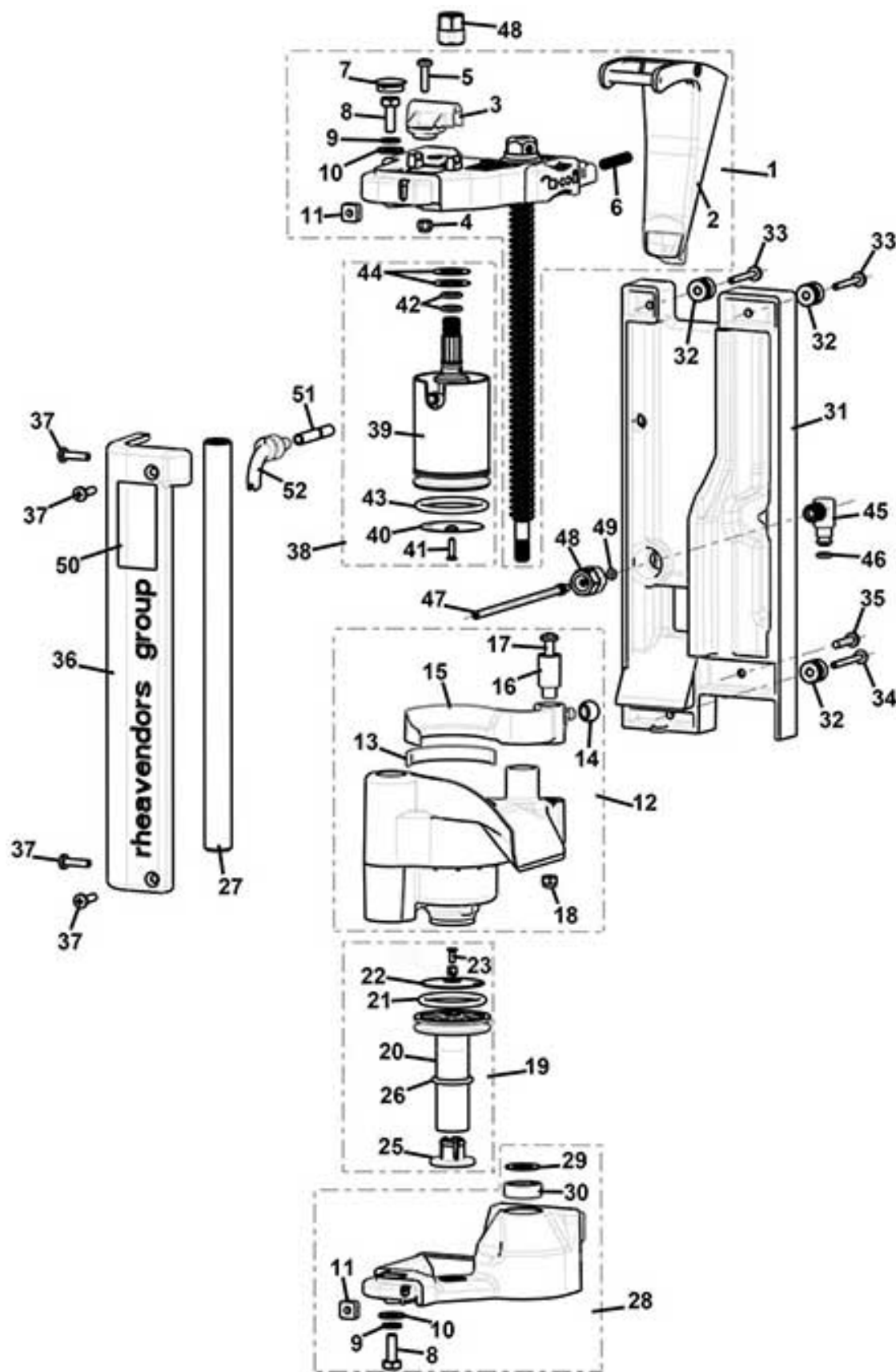
Pos. Code	Description
1	0260014002 VARIFLEX BREWER SUPPORT
2	ELE0001522 MICROSWITCH
3	VIT0000006 SCREW HEAD TAP CAP M3X16
4	VIT0004701 NUT M3
6	ELE0000930 PROBE
7	VIT0004816 NUT M4
8	ELE0062020 BOARD SUPPORT
9	SCH0009120 HEATER BOARD
10	ELE0000467-01 FAN HEATER 24V DC
11	VIT0003102 SPRING WASHER 3,2
12	VIT0000002 SCREW HEAD TAP CAP M3X6
13	0250014084 FEMALE CONNECTOR
14	0260014009 VARIFLEX H2O CONNECTOR SUP.
15	VIT0002009 SCREW ST HEAD CAP M3.5X6.5
16	TTEF02/04T PTFE PIPE 2X4
17	0250014086 NUT
18	0100002014 LOCKING RING SO1-4
19	GUA0000061 OR 2010 VITON
20	0090002250CL Å§ VARIFLEX BREW. GEARBOX MOTOR From pos. 21 to pos. 37
21	0090002252 MOTOR 24V DC VRFLX BREWER
22	0090002222CK GEARBOX MOTOR UPPER UNIT (RAL7037)
23	0090002223CK GEARBOX MOTOR LOWER UNIT (RAL7037)
24	0090002224 FEMALE CONNECTOR SHAFT
25	0090002255AN PULLEY
26	VIT0006703 CLAMP
27	0090002226 SPACER
28	0090002258 BELT
29	VIT0009324 BEARING
30	VIT0009320 BEARING
31	VIT0000017 SCREW HEAD TAP CAP M5X20
32	VIT0003104 SPRING WASHER 5,3
33	VIT0002469 SCREW HEAD TAP M3.5X10
34	VIT0002014 SCREW ST HEAD CAP M2.9X13
35	0090002240 MOTOR SPACER
36	0090002235CK MR GV BOARD COVER R.7037
37	GUA0010501 ELECTRICAL GROMMET DG 7,5
38	VIT0000015 SCREW HEAD TAP CAP M4X25
39	VIT0004815 NUT M4
40	VIT0002401 SCREW ST HEAD CAP M3.5X9.5
41	0260014004 HEATER PLUG
100	0250014086R Å§ WATER INLET TUBE From pos. 16 to pos. 19
101	0090002224R Å§ FEMALE CONNECTOR SHAFT From pos.24 to pos.30 excluded pos.28



LUCE X2 PRO

LUCE X2 PRO - PROFESSIONAL BREWER GROUP D.45

Pos. Code	Description	
1	0250014005R	A\$ UPPER SUPPORT D.45
2	0250014008	CHUTE D.45
3	0250014009	CHUTE HINGE
4	VIT0004810	NUT M4
5	VIT0001009	SCREW HEAD TAP CAP M4X16
6	0250014081	SPRING
7	GUA0011022	PLUG
8	VIT0000249	SCREW HEX HEAD M6X16
9	VIT0003113	SPRING WASHER 6.4
10	0250014079	WASHER D.15 D.6.5 SP.1.5
11	VIT0009112	NUT M4
12	0250014020R	A\$ INFUSION CHAMBER D.45
13	0250014043	BRUSH GASKET D.45
14	0250014025R	A\$ BRUSH BALL+FLANGE
15	0250014024	BRUSH D.45
16	0250014026	BRUSH PIN
17	VIT0000043	SCREW HEAD TAP CAP M5X35
18	VIT0004823	NUT M5
19	0250014028R	A\$ LOWER FILTER HOLDER D.45
20	0250014049R	A\$ LOWER FILTER HOLDER D.45
21	GUA0000097	OR 4131 SILICON
22	0250014029	COFFEE FILTER DIAM. 37.3
23	VIT0000121	SCREW COUNT FLAT HEAD M3X8
25	0250014027	LOWER PISTON LOCK
26	GUA0000103	OR 3075 SILICON
27	0250014013	CYLINDRICAL GUIDE
28	0250014012R	A\$ LOWER SUPPORT D.45
29	0250014077	SPACER
30	VIT0009320	BEARING
31	0250014011	REAR CAM PLATE
32	0250014072	PIN
33	VIT0001006	SCREW HEAD TAP CAP M4X30
34	VIT0000033	SCREW HEAD TAP CAP M4X35
35	VIT0001011	SCREW HEAD TAP CAP M4X20
36	0250014019	FRONTAL COVER
37	VIT0001009	SCREW HEAD TAP CAP M4X16
38	0250014045R	A\$ UPPER FILTER HOLDER D.45
39	0250014047	PISTON D.45 COVER
40	0250008211	COFFEE FILTER D 37.3
41	VIT0000129	SCREW COUNT HEAD M3X12
42	GUA0000045	OR 108 VITON
43	GUA0000067	OR 4143 SILICON
44	0250014048	SPRING
45	0250014085	MALE CONNECTOR
46	GUA0000004	OR 104
47	0250014087CL	A\$ PTFE PIPE D.2X4
48	0250014086	NUT
49	GUA0000061	OR 2010 VITON
50	1010100160	WARNING LABEL
51	TSIL04/061	SILICON HOSE 4X6
52	0380010657NA	ESPRESSO NOZZLE D.5.7 (BLACK)
100	0250014000CL	COFFEE BREWER VARIFLEX D 45
101	0250008132CL	A\$ COFFEE OUTLET PIPE Pos.51+52
102	0250014024R	A\$ BRUSH D.45 From pos.13 to pos.18



LUCE X2 PRO

LUCE X2 PRO - PROFESSIONAL BREWER GROUP D.36

Pos. Code	Description
1	0250014005R1 A\$ UPPER SUPPORT D.36
2	0250014033 CHUTE D.36
3	0250014009 CHUTE HINGE
4	VIT0004810 NUT M4
5	VIT0001009 SCREW HEAD TAP CAP M4X16
6	0250014081 SPRING
7	GUA0011022 PLUG
8	VIT0000249 SCREW HEX HEAD M6X16
9	VIT0003113 SPRING WASHER 6.4
10	0250014079 WASHER D.15 D.6.5 SP.1.5
11	VIT0009112 NUT M4
12	0250014030R A\$ CHAMBER D.36
13	0250014036 BRUSH GASKET D.36
14	0250014025R A\$ BRUSH BALL+FLANGE
15	0250014034 BRUSH D.36
16	0250014026 BRUSH PIN
17	VIT0000043 SCREW HEAD TAP CAP M5X35
18	VIT0004823 NUT M5
19	0250014038R A\$ LOWER FILTER HOLDER D.36
20	0250014050R A\$ LOWER FILTER HOLDER D.36
21	GUA0000080 OR 4112 SILICON
22	0250008019 COFFEE FILTER
23	VIT0000121 SCREW COUNT FLAT HEAD M3X8
25	0250014027 LOWER PISTON LOCK
26	GUA0000103 OR 3075 SILICON
27	0250014013 CYLINDRICAL GUIDE
28	0250014012R A\$ LOWER SUPPORT D.45
29	0250014077 SPACER
30	VIT0009320 BEARING
31	0250014011 REAR CAM PLATE
32	0250014072 PIN
33	VIT0001006 SCREW HEAD TAP CAP M4X30
34	VIT0000033 SCREW HEAD TAP CAP M4X35
35	VIT0001011 SCREW HEAD TAP CAP M4X20
36	0250014019 FRONTAL COVER
37	VIT0001009 SCREW HEAD TAP CAP M4X16
38	0250014040R A\$ UPPER FILTER HOLDER D.36
39	0250014042CI PISTON D.36 COVER RAL7042
40	0250008099 COFFEE FILTER
41	VIT0000129 SCREW COUNT HEAD M3X12
42	GUA0000045 OR 108 VITON
43	GUA0000080 OR 4112 SILICON
44	0250014048 SPRING
45	0250014085 MALE CONNECTOR
46	GUA0000004 OR 104
47	0250014087CL A\$ PTFE PIPE D.2X4
48	0250014086 NUT
49	GUA0000061 OR 2010 VITON
50	1010100160 WARNING LABEL
51	TSIL04/061 SILICON HOSE 4X6
52	0380010657NA ESPRESSO NOZZLE D.5.7 (BLACK)
100	0250014060CL A\$ COFFEE BREWER VARIFLEX D.36
101	0250008132CL A\$ COFFEE OUTLET PIPE Pos.51+52
102	0250014034R A\$ BRUSH D.36 From pos.13 to pos.18

LUCE X2 PRO - water inlet panel

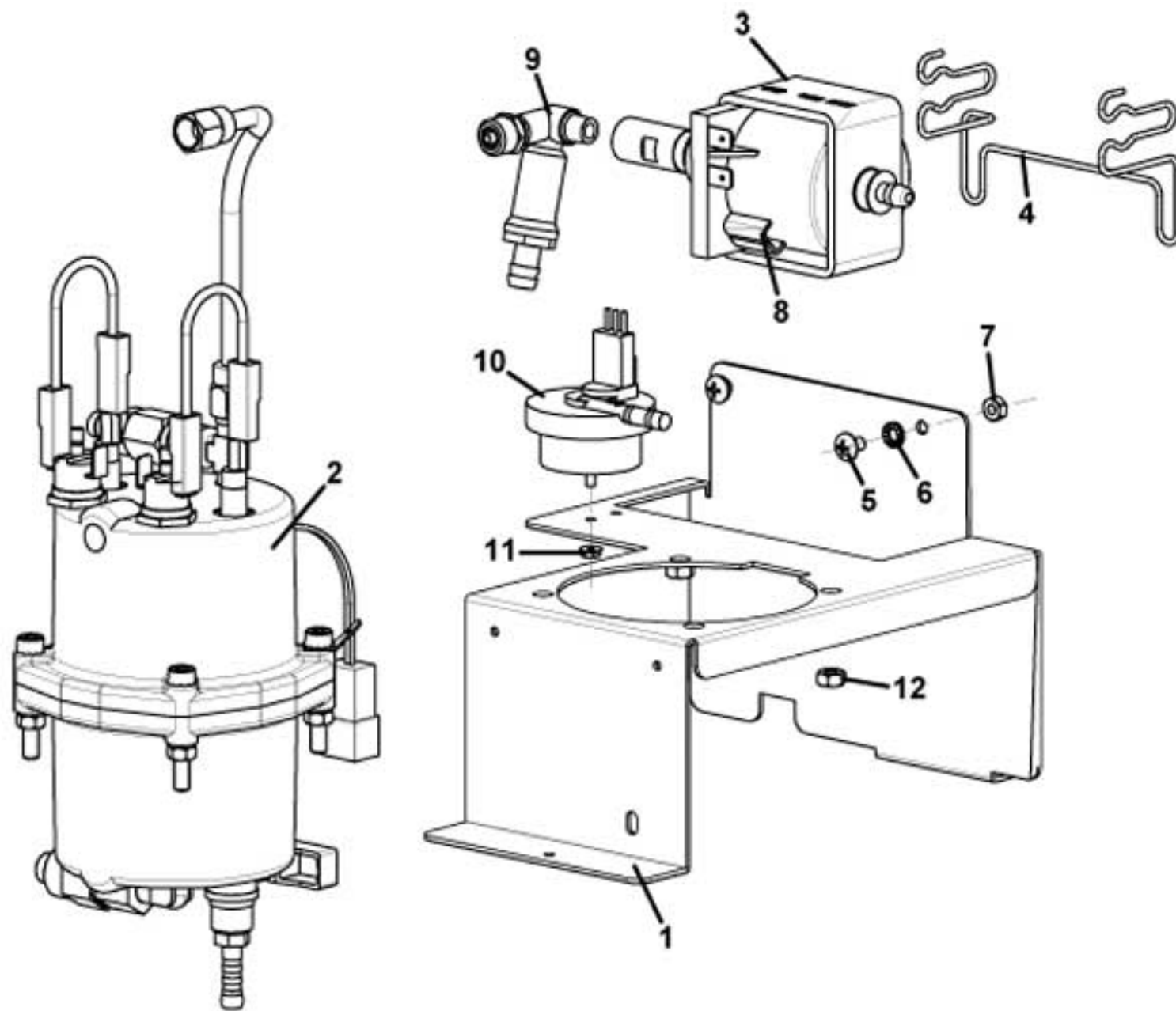


LUCÉ X2 PRO

LUCÉ X2 PRO - water inlet panel

Pos. Code	Description
1 0800013041	AIR BREAK TANK
2 0110020007	PLASTIC FILTER DIAM. 20
3 TSIL07/11T	SILICON HOSE 7X11
4 0100001065	CONNECTOR "Y"
5 650001057	DRAINER PLUG
6 0800009211	ELBOW CONNECTOR
7 GUA0000043	OR 109
8 TSIL06/11T	SILICON HOSE 6X11
9 0800013043	AIR BREAK COVER
10 0800013046	AIR BREAK WASTE FLOAT
11 GUA0000082	SILICONE GASKET D.6
12 ELE0001522R3	ÅS MICROSWITCH + LEVER
13 VIT0002013	SCREW ST HEAD CAP M2.9X19
14 0100003003	T CONNECTOR 462 TS
100 0800014001R	ÅS AIR BREAK

LUCE X2 PRO - pressobean boiler support

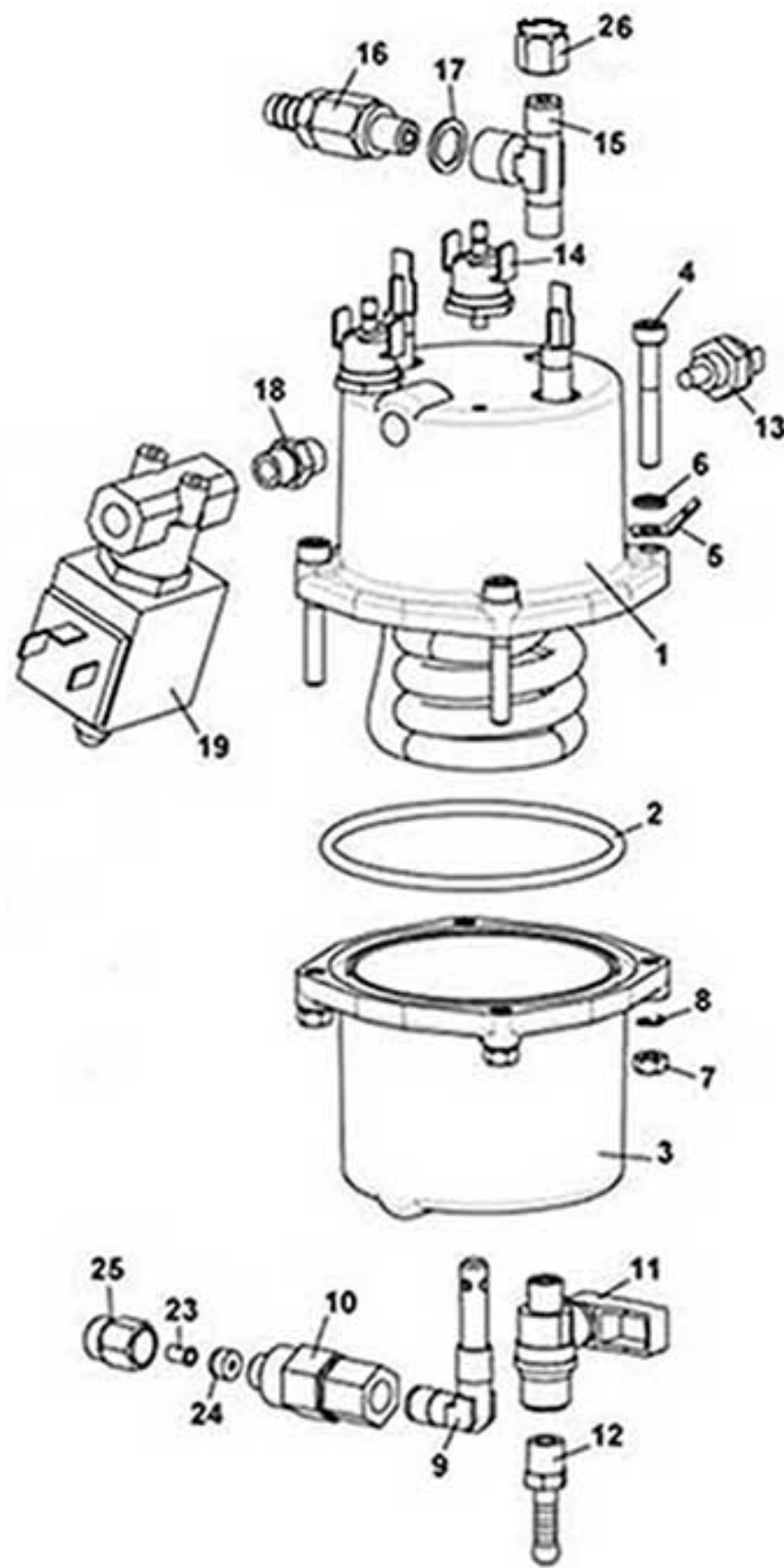


LUCÉ X2 PRO

LUCÉ X2 PRO - pressobean boiler support

Pos.	Code	Description
1	0260014467	WATER COMPONENTS SUPPORT
2		See table ESPRESSO BOILER
3	0110004041	PUMP EX5 230V-50HZ
4	0110004038	PUMP SUPPORT
5	VIT0000030	SCREW HEAD TAP CAP M4X7
6	VIT0003103	SPRING WASHER 4,3
7	VIT0004503	NUT M4
8	ELE0000915	PUMP THERMOSTAT
9	0110004070	BY PASS VALVE 11 BAR
10	0110007003	VOLUMETRIC COUNTER
11	VIT0004701	NUT M3
12	VIT0004504	NUT M5

LUCE X2 PRO - ESPRESSO BOILER

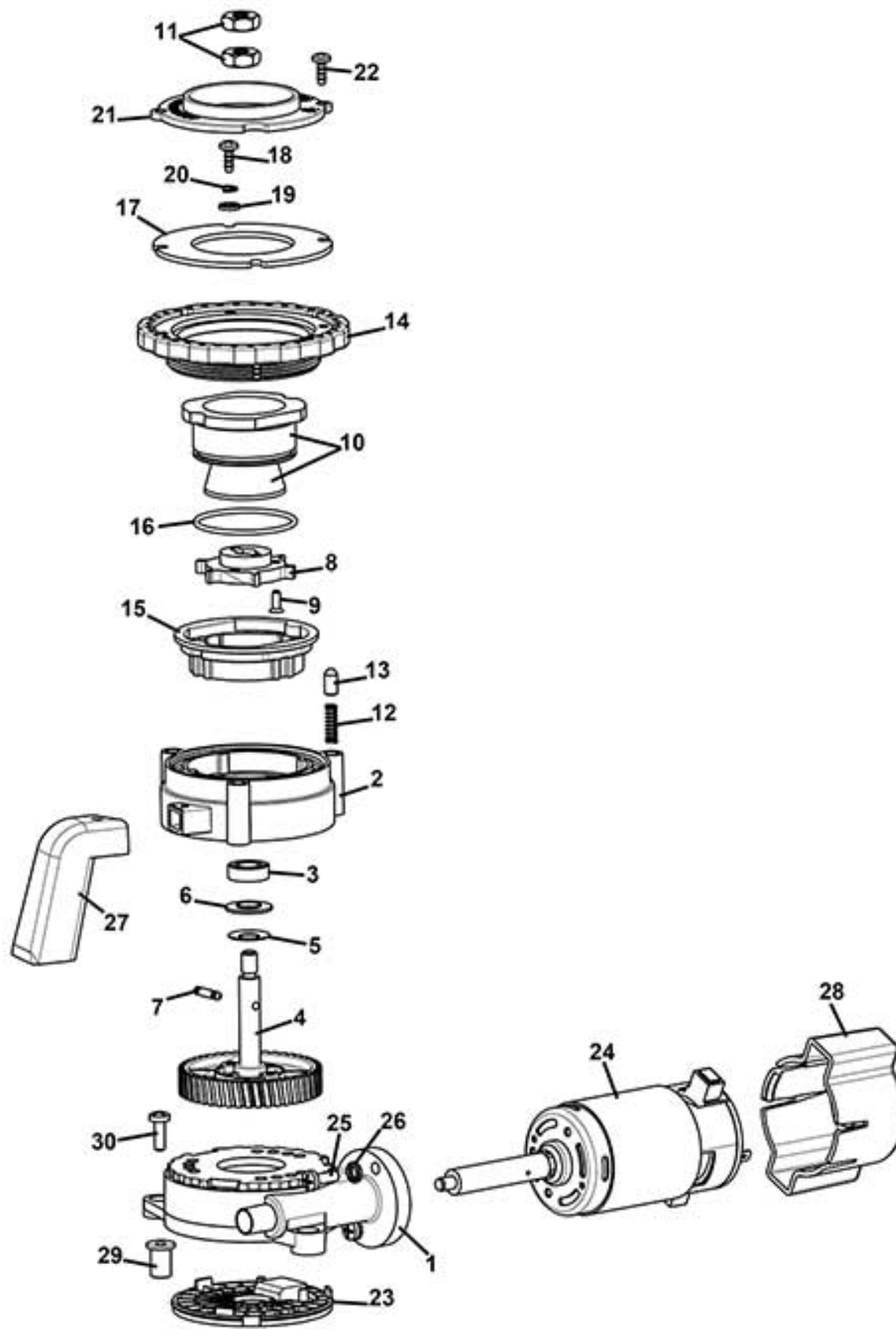


LUCÉ X2 PRO

LUCÉ X2 PRO - ESPRESSO BOILER

Pos. Code	Description
1 0600019102	Å§ UPPER BOILER CASING+H.ELEM.
2 GUA0000095	OR 4300 SILICONE
3 0600019103	LOWER BOILER CASING
4 VIT0000246	SCREW HEX HEAD REC TAP M5X30
5 0600019012	GROUND WIRING
6 VIT0003104	SPRING WASHER 5,3
7 VIT0004504	NUT M5
8 VIT0003406	SPRING WASHER 5,3
9 0600019115	ELBOW CONNECTOR
10 0110002012R	Å§ SAFETY VALVE E:1/8M O:1/8F
11 0600019017	TAP M/F 1/8
12 0100001082	RUBBER HOLDER D.7-GC 1/8
13 ELE0000975	PROBE
14 ELE0000976	CLIXSON 120Å°
15 0100001086	T CONNECTOR 1/8
16 0110002013	SAFETY VALVE 1/8M D.9
17 0100003016	COPPER GASKET D.13.4X10.2X1.5
18 0100001084	NIPPLE 1/8
19 0110001122	VALVE 3W 1/8 24V DC
23 0100002005	NUT D.4
24 0100002002	LOCKING RING SO1-6
25 0100001002	CONNECTOR NUT
26 0110004089	1/8 FEMALE PLUG
100 0600019205CL	VARIFLEX COFFEE GROUP BOILER

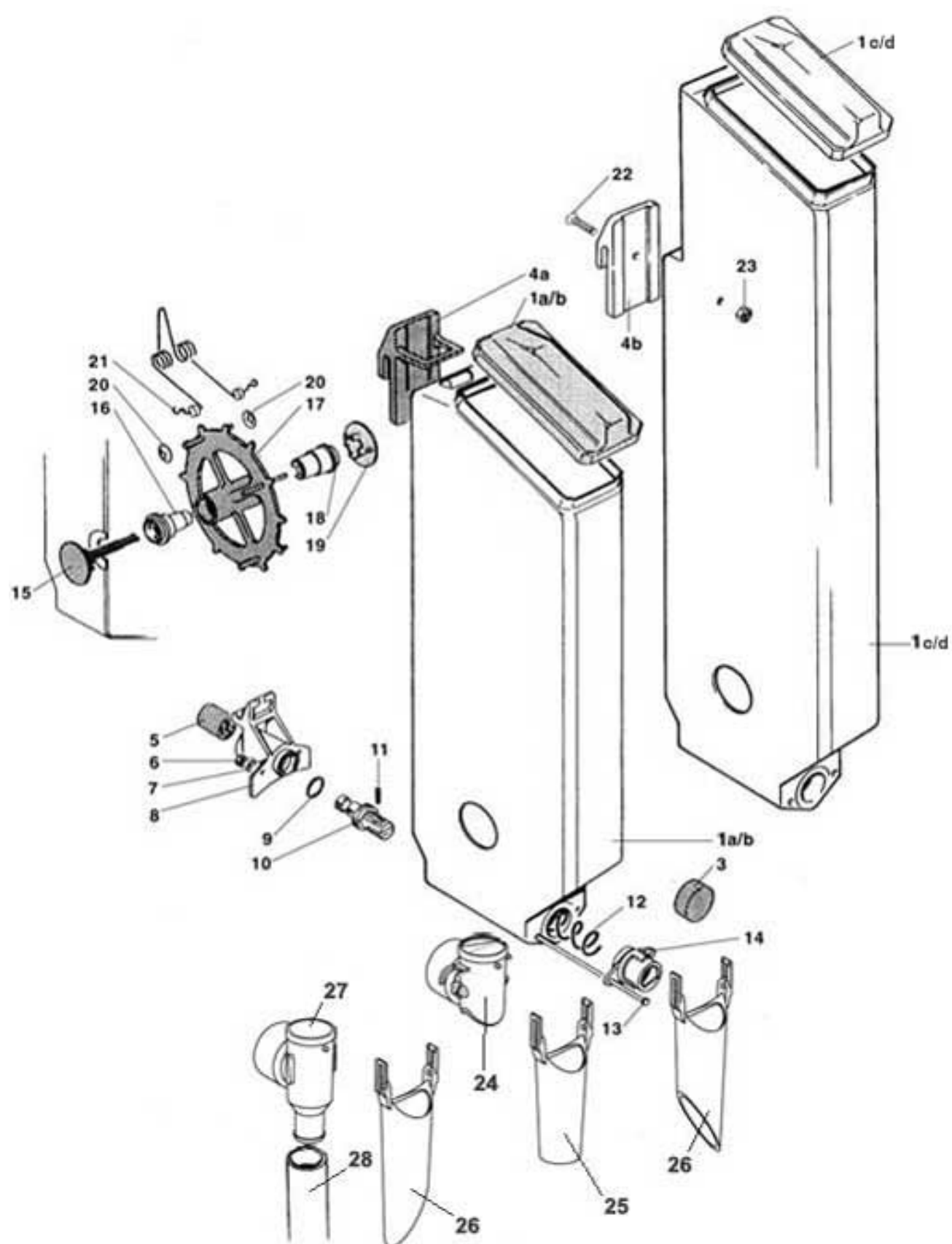
LUCE X2 PRO - GRINDER



LUCÉ X2 PRO

LUCÉ X2 PRO - GRINDER

Pos. Code	Description
1 0320001639NAR	Å§ MOTOR SUPPORT BLACK+PLUG
2 0320001602NAR	GRINDER BLADES SUPPORT
3 VIT0009325	BEARING
4 0320001608R	Å§ WHEEL+SHAFT+MAGNETS
5 0320001629	SPRING
6 0320001625	BUSH
7 0320001626	GRINDER ROTATION PIN
8 0320001636	EJECTOR
9 VIT0000121	SCREW COUNT FLAT HEAD M3X8
10 0320001620	CONIC MILL
11 0320001642	LOWER GRINDER FIXING NUT
12 0320001643	SPRING D.4X15X0,6
13 0320001624	REGULATION PIN
14 0320001605NAR	Å§ REGULATION RING NUT BLACK
15 0320001635NA	GRINDER SUPPORT BLACK
16 GUA0000124	OR 2137
17 0320001622	UPPER GRINDER FIXING
18 VIT0002010	SCREW ST HEAD CAP M3.5X9.5
19 VIT0003405	SPRING WASHER 4,3
20 VIT0003103	SPRING WASHER 4,3
21 0320001607NA	DUCT BLACK
22 VIT0002010	SCREW ST HEAD CAP M3.5X9.5
23 0320001604NA	PLUG BLACK
24 0090003047	GRINDER MOTOR 230V DC
25 VIT0000013	SCREW HEAD TAP CAP M4X12
26 VIT0003103	SPRING WASHER 4,3
27 0320001612NA	COFFEE POWDER CHUTE BLACK
28 0320001615NA	GRINDER SENSOR COVER BLACK
29 0320001628	NO-VIBRATION BUSH
30 VIT0000012	SCREW HEAD TAP CAP M4X10
100 0320001600CL	Å§ GRINDER BLACK

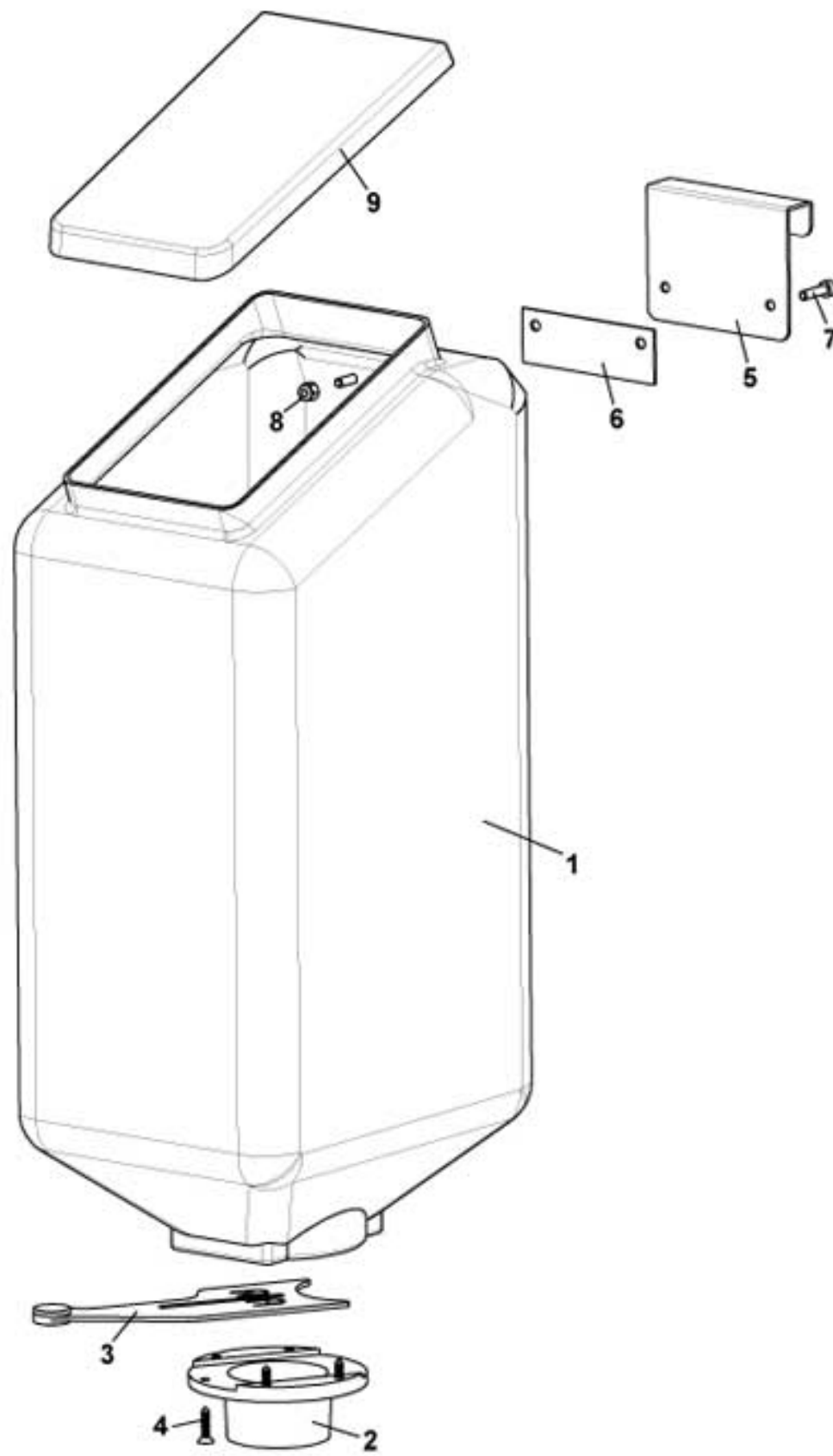


LUCE X2 PRO

LUCE X2 PRO - products container

Pos. Code	Description	
1/a	70003001AR	Â§ CANISTER "A"+LID
1/b	70003001BR	Â§ CANISTER "B"+LID
1/c	0230008003AR	Â§ CANISTER W/HOLE H.650+LID
1/d	0230008003BR	Â§ CANISTER W/O HOLE H.650+LID
3	70003061	SUGAR CHUTE PLUG
4/a	70003003	FIX PLATE
4/b	0230012018	FIX PLATE
5	0230012012	SQUARED PINION
6	VIT0004803	NUT M4
7	VIT0003202	WASHER 4,3X9X0,8
8	70003006	REAR BUSH
9	GUA0000015	OR 119
10	0230012006	SPIRAL WITH FLANGE
11	VIT0005106	SPRING PIN 2X14
12/a	70003016	SPIRAL 18
12/b	0230024009	SPIRAL 9
13	70003010	BUSH CONNECTOR
14/a	70003008	FRONT BUSH
14/b	70003007	FRONT BUSH
14/c	0230012025	FRONT BUSH-REDUCED TRANSITION
15	70003028	PIN
16	70003027	BUSH
17	70003012	WHEEL (PLASTIC)
18	70003026	BUSH
19	70003029	DISK
20	VIT0007102	BENZING CLIP
21	11837	PRODUCT AGITATOR
22	VIT0001205	SCREW COUNT FLAT HEAD M4X12
23	VIT0004810	NUT M4
24	0230030302IC	INGRED.CHUTE CONNECTOR RAL2011
25	0230030303IC	STRAIGHT PRODUCT CHUTE (RAL2011)
26	0230030304IC	INGRED. INCLINED CHUTE RAL2011
27	0230016024	SUGAR CHUTE
28	TSIL15/19T	SILICON HOSE 15X19
100	0230016005R	Â§ CANISTER SPIRAL 18
101	0230017007R	Â§ CANISTER WHEEL 9
102	0230017008R	Â§ CANISTER WHEEL 18
103	0230018009R	Â§ CANISTER AGITATOR 18
104	0230019005R	Â§ CANISTER AGITATOR 9-THE
105	0230019006R	Â§ CANISTER AGITATOR 18-THE
106	0230012012R	Â§ SQUARED PINION

LUCE X2 PRO - 1 wheel coffee beans container

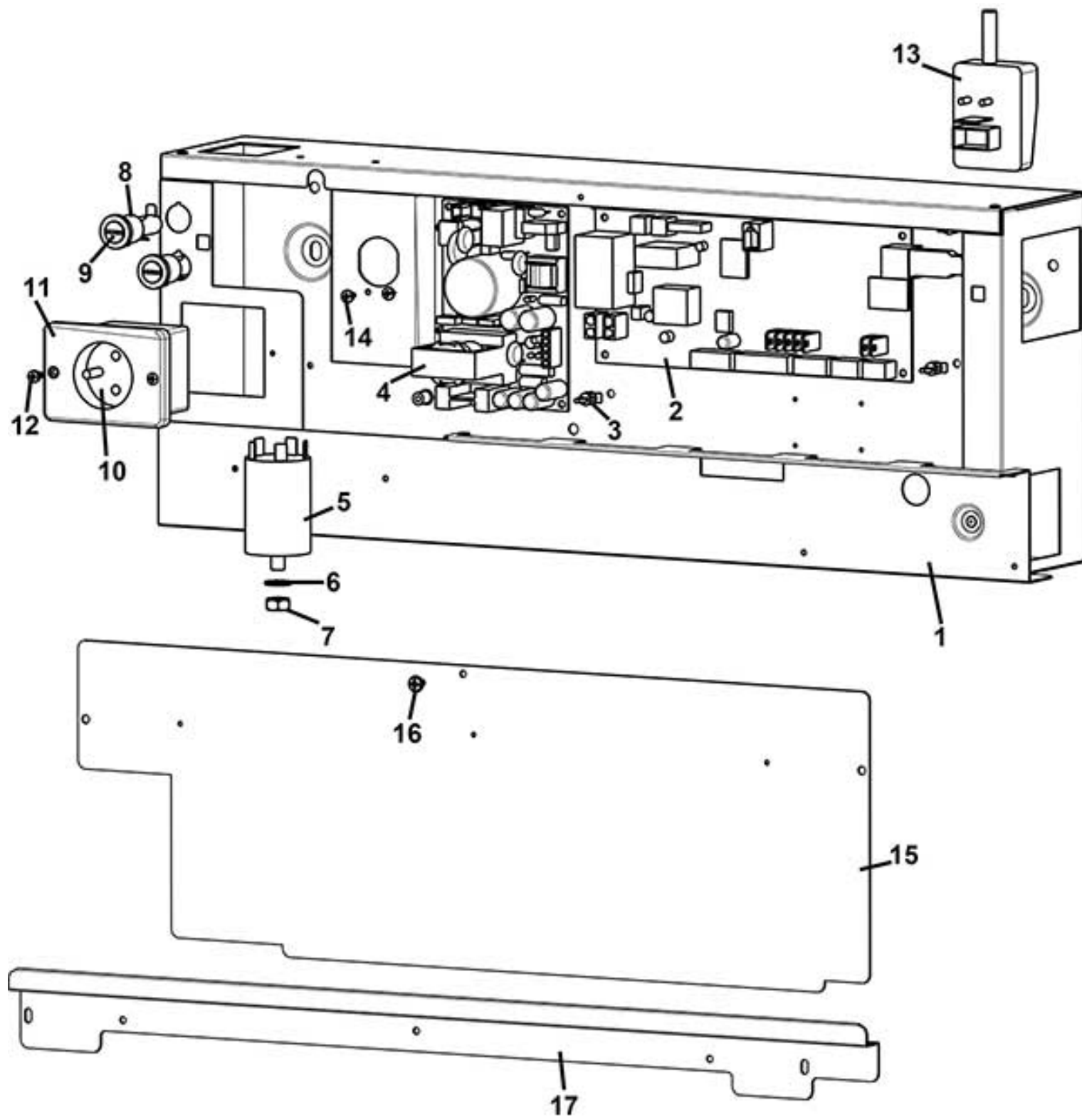


LUCÉ X2 PRO

LUCÉ X2 PRO - 1 wheel coffee beans container

Pos. Code	Description
1 0230030481	COFFEE BEANS HOPPER 1G-6Kg
2 0230030449NA	COFFEE BEANS HOPPER STOPPER
3 0230015207IC	COFFEE BEANS HOPPER STOPPER
4 VIT0002104	SCREW COUNT FLAT HEAD M3.9X16
5 0230030429	COFFEE BEANS CONTAINER SUPPORT
6 0230030426	PLATE
7 VIT0005519	4x12 STAILLESS STEEL TCEI SCREW
8 VIT0004810	NUT M4
9 0230015057	COFFEE BEANS HOPPER LID
100 0230030415R7	Å§ COFFEE BEANS HOPPER 1 GRIND. 6KG

LUCE X2 PRO - control panel



LUCÉ X2 PRO

LUCÉ X2 PRO - control panel

Pos. Code	Description
1 0130012105	ELECTRICAL PANEL
2 SCH0007700	POWER BOARD
3 ELE0062003	BOARD SUPPORT
4 SCH0007622	SWITCHING POWER BOARD 220V
5 ELE0009055	NOISE FILTER 16A
6 VIT0003106	WASHER D.8,2
7 VIT0004506	NUT M8
8 ELE0003507	FUSE HOLDER 250V 16A
9 ELE0003024	CERAMIC FUSE 6,3X32 12A
10 ELE0002306	GW PLUG
11 ELE0002307	ELECTRIC SOCKET 2 POSITION
12 VIT0002004	SCREW ST HEAD CAP M3.5X13
13 ELE0055003CL	SUPPLY CABLE
14 VIT0002009	SCREW ST HEAD CAP M3.5X6.5
15 0130012158	CONTROL PANEL COVER
16 VIT0002401	SCREW ST HEAD CAP M3.5X9.5
17 0130012165	INGREDIENT CANISTER SUPPORT