

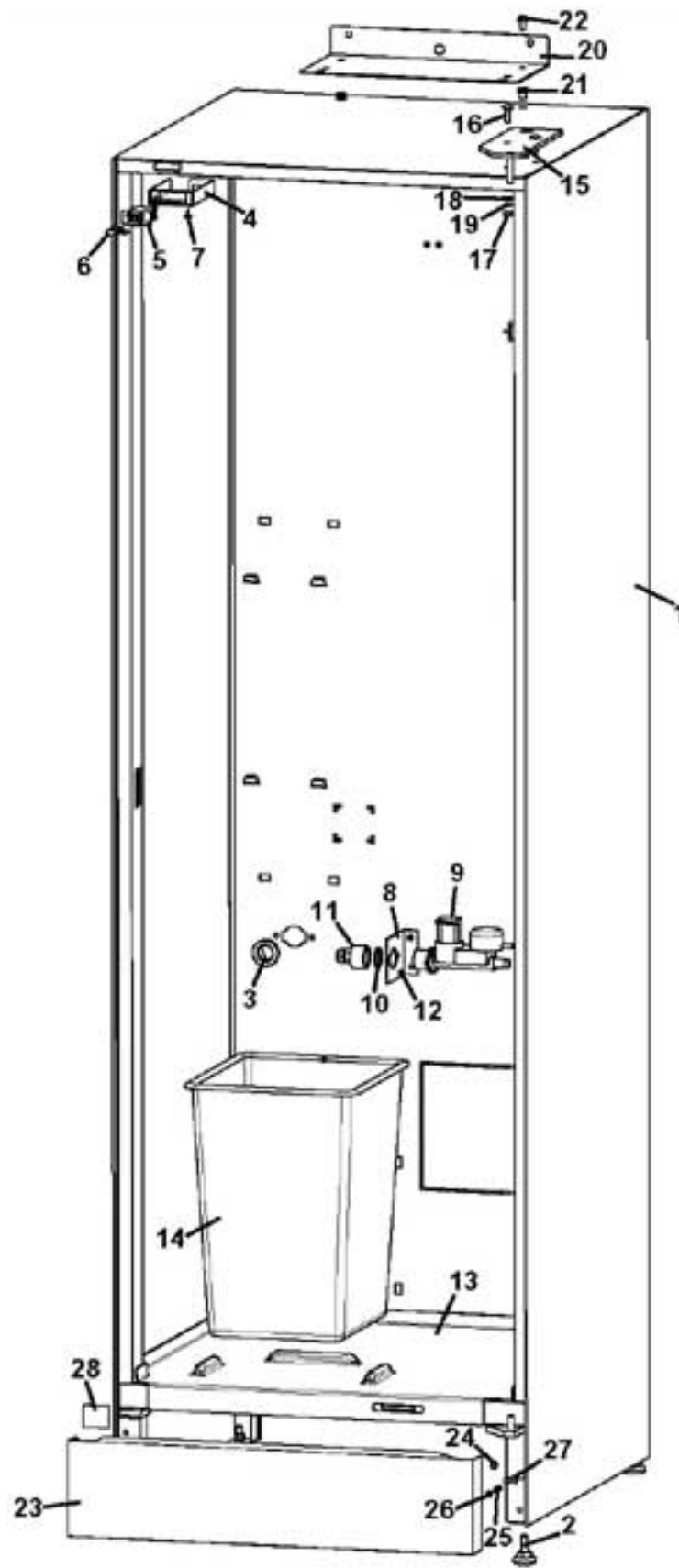
vending machine

[CAFFE EUROPA MULTIMEDIA]

spare parts manual

Latest Update 29/07/2013

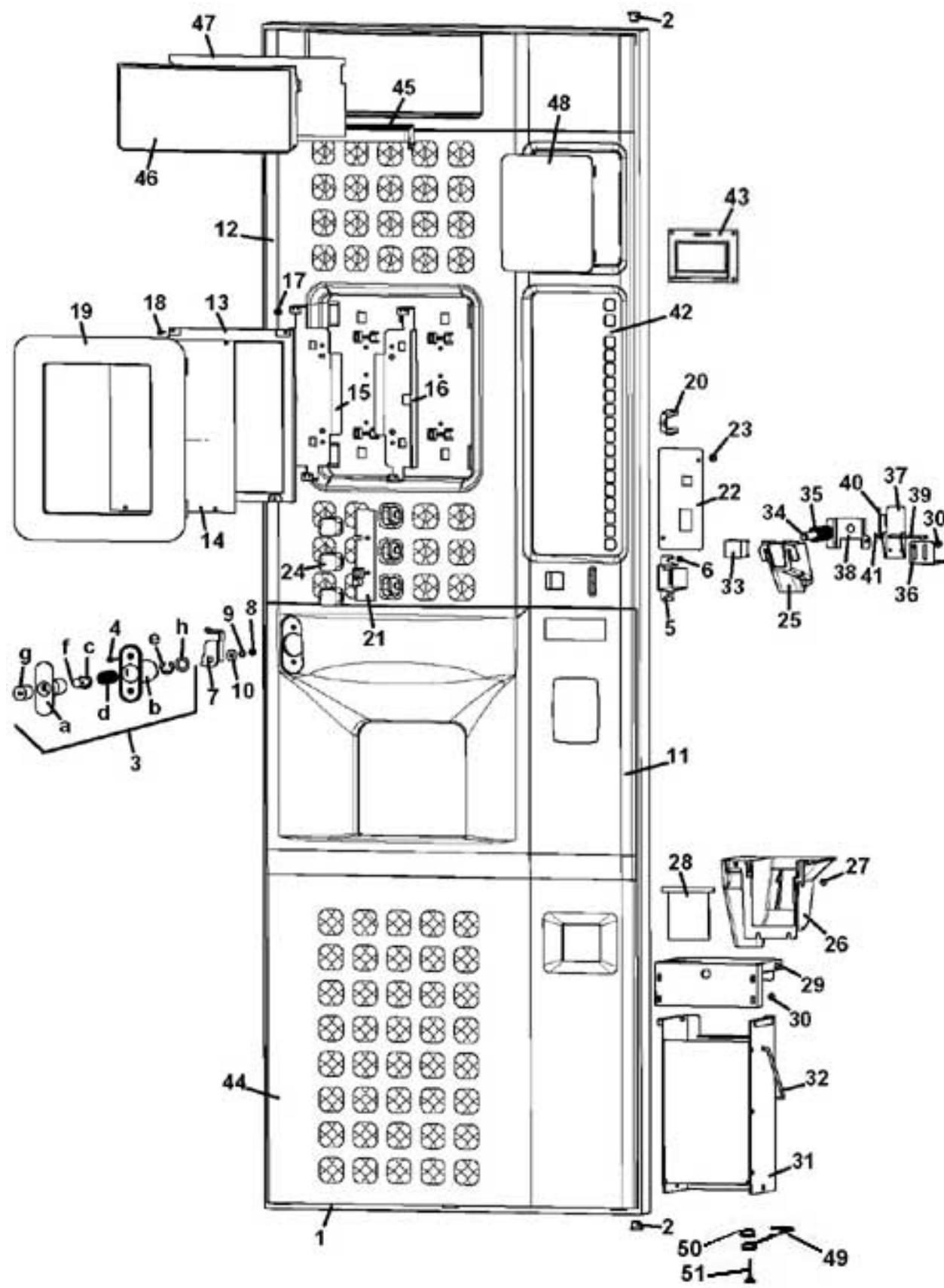
Manual PDF Generated on 07-08-2013 10:16



CAFFE EUROPA MULTIMEDIA

CABINET

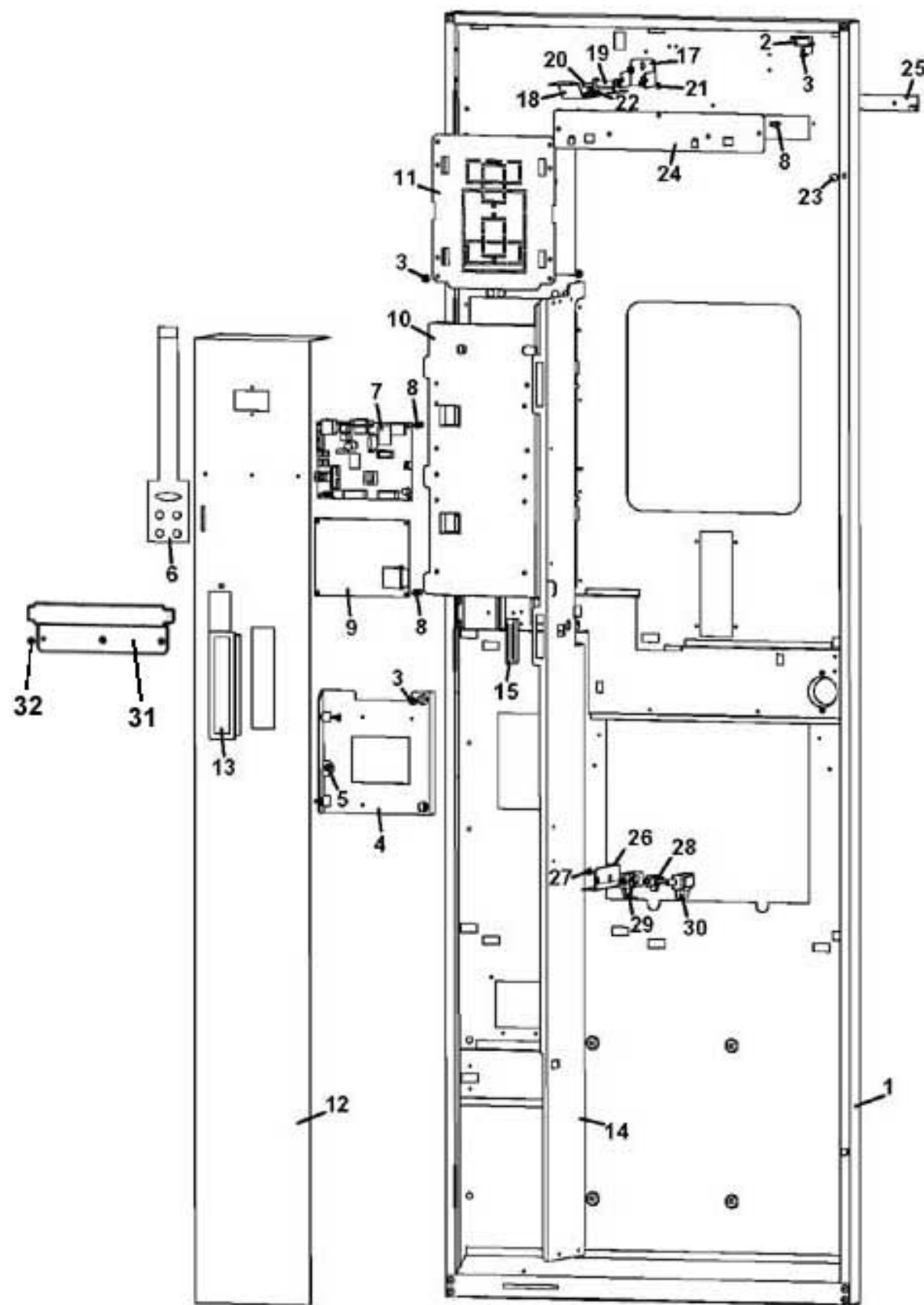
Pos. Code	Description
1 0010014555DA	CABINET (PEARL LIGHT GREY RAL 9022)
2 VIT0010501	SETTING PLATT ES.M 8 x 22 D.30 BLACK
3 GUA0010502	MEMBRANE CORE HITCH Ø 21
4 0270011605	DOOR SWITCH SUPPORT
5 ELE0002009	SAFETY SWITCH
6 0270011109CL	SERVICE KEY ASSEMBLY
7 VIT0002401	SCREW TCB 3.5 x 9.5
8 0070012111CK	WATER INLET VALVE SUPPORT (DUST GREY RAL 7037)
9 0110001119	24V INLET SAFETY VALVE
10 GUA0000021	GASKET 130
11 0010019223	3/8 GAS M WATER INLET VALVE CONNECTION
12 VIT0002009	SCREW T.C.B. 3,5 x 6,5
13 0010014585NA	BOTTOM PROTECTION (BLACK)
14 CON0000201	RECTANGULAR BIN
15 0010014574	UPPER HINGE
16 VIT0005802	TTQST SCREW M 6 x 20
17 VIT0004505	NUT M6
18 VIT0003303	WASHER D.6,5 x 18 x 1,5
19 VIT0003453	6.4x12.5x1.6 FLAT WASHER
20 0010018071	DISPENSER SECURING BRACKET
21 VIT0005702	M6 THREADED INSERT
22 VIT0000236	E.H SCREW M 6 x 11 + FR
23 0010014575DA	FEET FRONT PROTECTION (PEARL LIGHT GREY RAL 9022)
24 0020018061	BUTTON PLUG
25 VIT0009151	PIN
26 VIT0004503	NUT M 4
27 VIT0009152	CONNECTION
28 0010014238	FEET PROTECTION



CAFFE EUROPA MULTIMEDIA

EXTERNAL DOOR

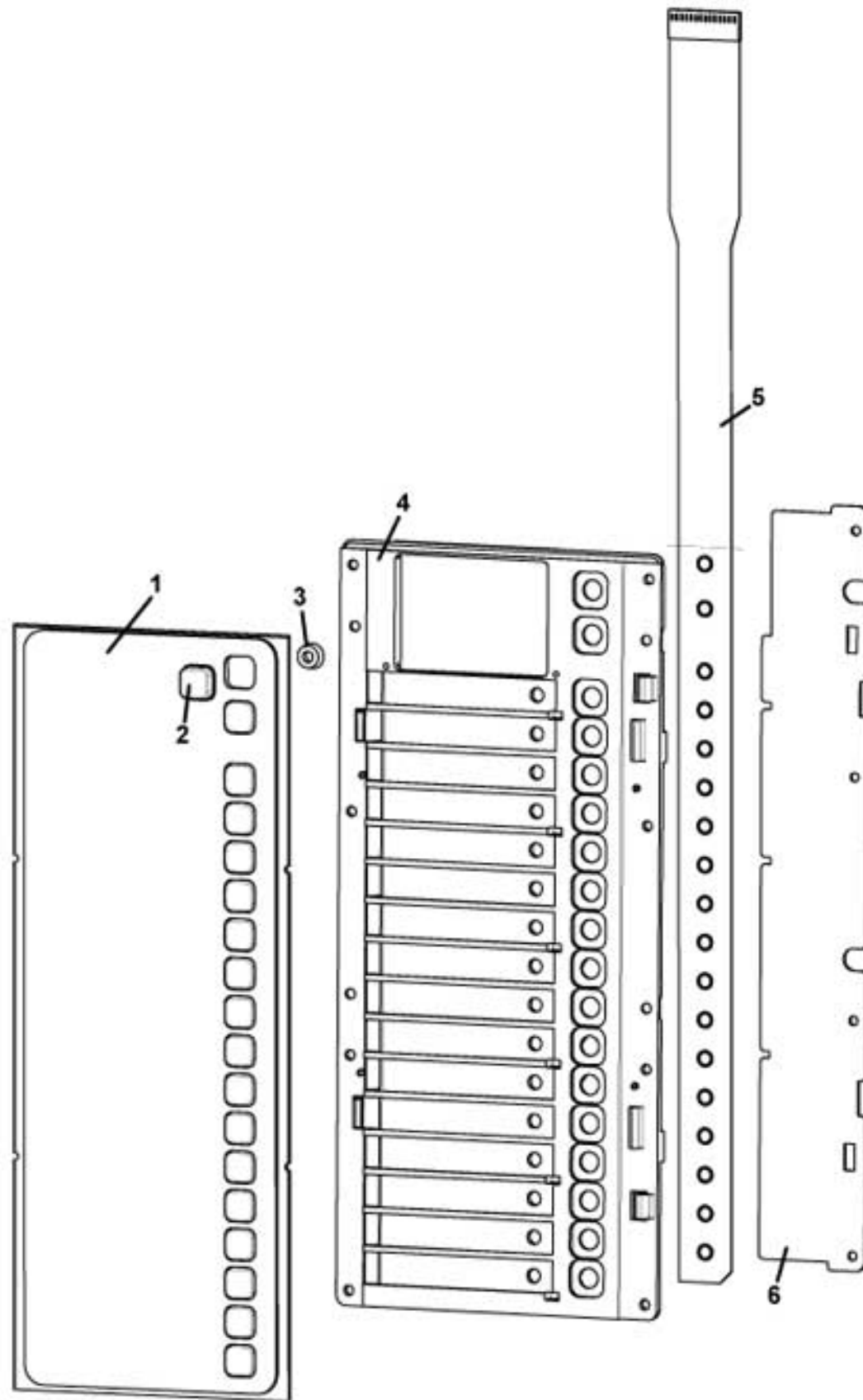
Pos. Code	Description
1	0020038205DA DOOR (PEARL LIGHT GREY RAL 9022)
2	0020034156 DOOR HINGE BUSH
3	1150003337DA LOCK ASSEMBLY (PEARL LIGHT GREY RAL 9022)
3-1a	1150003336DA LOCK SLEEVE (PEARL LIGHT GREY RAL 9022)
3-1b	1150002112DA LOCK BODY (PEARL LIGHT GREY RAL 9022)
3-1c	1150002111 LOCK PIN
3-1d	1150002113 SPRING
3-1e	VIT0006508 D.10 RADIAL STOP RING
3-1f	VIT0005203 4 x 18 CYLINDRICAL PIN
3-1g	SER0000003 G 5 TUBULAR LOCK
3-1h	1150003054 SPACER
3-2	1150003342DA LOCK ASSEMBLY (PEARL LIGHT GREY RAL 9022)
3-2a	1150003336DA LOCK SLEEVE (PEARL LIGHT GREY RAL 9022)
3-2b	1150002112DA LOCK BODY (PEARL LIGHT GREY RAL 9022)
3-2c	1150002111 LOCK PIN
3-2d	1150002113 SPRING
3-2e	VIT0006508 D.10 RADIAL STOP RING
3-2f	VIT0005203 4 x 18 CYLINDRICAL PIN
3-2g	SER0000022 LOCK
3-2h	1150003054 SPACER
4	VIT0000127 M 4x35 TSP SCREW
5	0020038260 BOX PROTECTION
6	VIT0004815 M 4 SELFLOCKING NUT
7	0020038128 LOCK HOOK
8	VIT0000208 M 5x10 H.H. SCREW
9	VIT0003104 WASHER tab D. 5.1
10	VIT0003302 5.5x12x1.5 FLAT WASHER
11	0020038126DA CUPS STATION FRAME (PEARL LIGHT GREY RAL 9022)
12	0020038327DA KEYBOARD FRAME (PEARL LIGHT GREY RAL 9022)
13	ELT0030439R 10.4" LCD TFT
14	0020038328 LEXAN FOR PROTECTION
15	0020038325 LEFT LCD SUPPORT
16	0020038326 RIGHT LCD SUPPORT
17	0020042265 SPACER
18	VIT0000007 M 3x20 TCB SCREW
19	0020038306DG MONITOR/TOUCH FRAME (DARK GREY)
20	0020038573 GLASS PIN
21/a	SCH0008940 SUPPLY PHASES 3 LED BOARD ONLY FOR VERSION "E"
21/b	SCH0007840 SUPPLY PHASES 3 LED BOARD ONLY FOR VERSION "H"
22	0020038233 SUPPLY PHASES 3 LED BOARD SUPPORT
23	VIT0002004 TAPPING SCREW TCB 3.5 x 13
24	0020038216IE TRASPARENT GLASS SUPPLY DRINK LED (ORANGE)
25	0020042051CY COIN INTRODUCTION CHUTE (TECNIC GREY RAL 9018)
26	0020042014CY COIN ACCEPTANCE/RETURN CHUTE (TECHNICAL GREY RAL 9018)
27	VIT0002033 TAPPING SCREW T.C.B. 3.5 x 6.5 +FR
28	0020038144XC COIN RETURN HATCH (CHROMATE)
29	0020038145 COIN BOX FIXING COVER
30	VIT0002401 SCREW TCB 3.5 x 9.5
31	0030006255-01 COIN BOX
32	0030006258 COIN BOX HOOK
33	4050010072XC COIN RETURN BUTTON (CHROMATE)
34	0020034023 COIN RETURN PIN
35	4050010074 COIN RETURN BUTTON SPRING
36	0020038155 COIN RETURN LOWER BRACKET
37	0020042057 COIN RETURN UPPER BRACKET
38	0020038129 COIN RETURN BUTTON CONNECTION
39	0020034187 PIN
40	0020005013 COIN RETURN LEVER SPRING
41	VIT0007005 1.5x40 PIN
42	0020038252DAR1 16 BUTTONS GLASS+LABEL
43	SCH0008380 DISPLAY
44	0020038212DA COIN RETURN HATCH FRAME (PEARL LIGHT GREY RAL 9022)
45	0020038211IE TRASPARENT UPPER LED GLASS (ORANGE)
46	0020038227 UPPER GLASS
47	1010065609 ENJOY PHOTO FOR THE UPPER GLASS
48	0020038219DA PAYMENT SYSTEM CLOSING (PEARL LIGHT GREY RAL 9022)
49	0020034172 DOOR STOP ROD
50	VIT0007102 BENZING-QUICKLOCK
51	0020034173 PIN FOR DOOR STOP ROD



CAFFE EUROPA MULTIMEDIA

INTERNAL DOOR

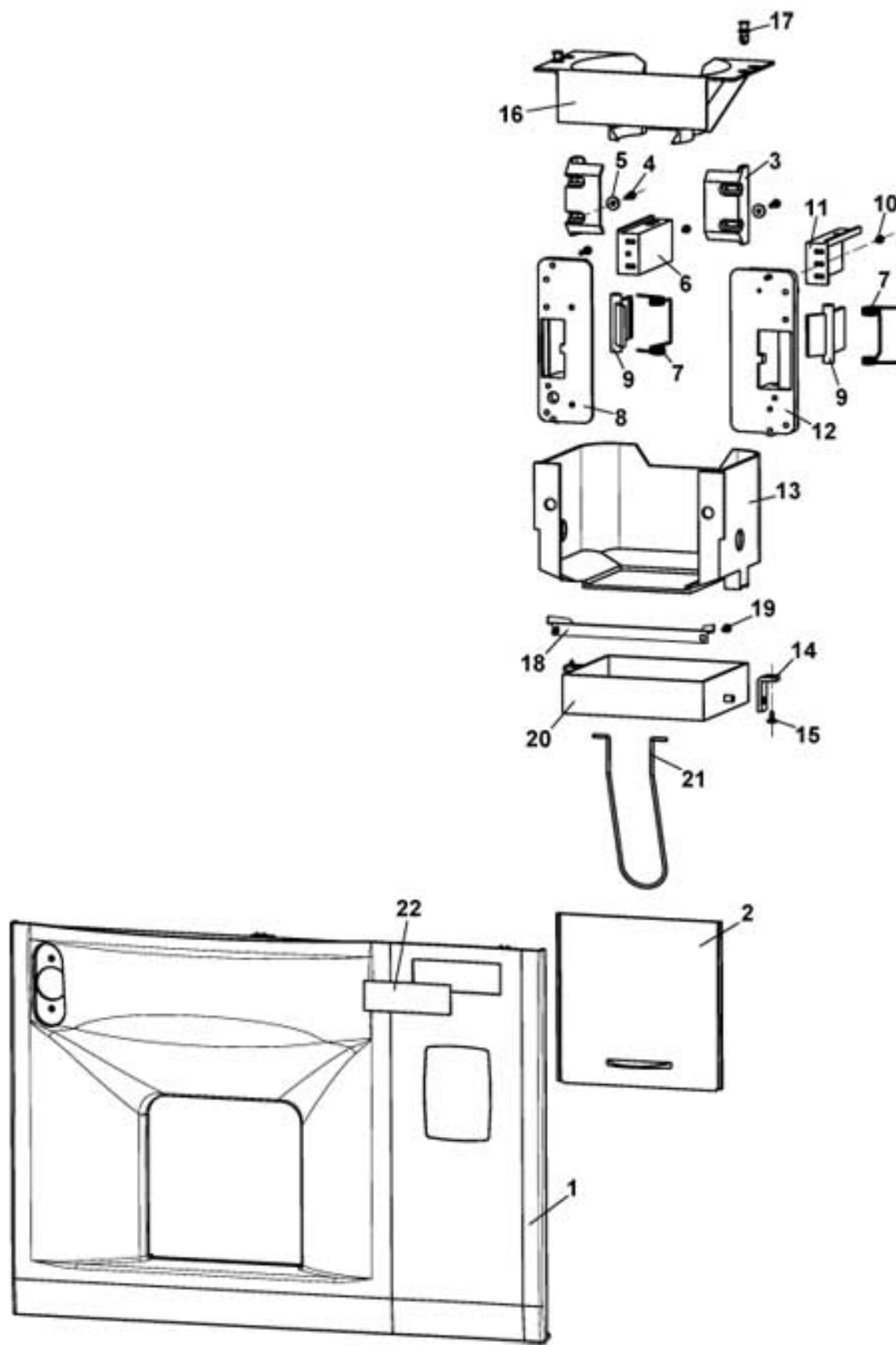
Pos. Code	Description
1 0020038205DA	DOOR (PEARL LIGHT GREY RAL 9022)
2 0270011485	SWITCH OPERATING SQUARE
3 VIT0002401	SCREW TCB 3.5 x 9.5
4 0020038125	COIN BOX SUPPORT
5 4060010126	PLASTIC COIN DRAWER BOX
6 0020038124	PROGRAM KEYBOARD
7 SCH0007901	CPU BOARD 2009 TS
8 ELE0062003	BOARD SUPPORT
9 SCH0009020	10" TFT GPU BOARD
10 0020038255	CPU SUPPORT
11 0020038142	PAYMENT SYSTEM PLATE
12 0020038134	COIN BOX PROTECTION
13 0020034823	HANDLE
14 0020038319	COIN BOX MECHANISM PROTECTION
15 ELE0000103	MAGNETIC CLICK-LOCK
17 0020042124	UPPER HINGE TURRET SUPPORT
18/a 0020042126	4C UPPER HINGE TURRET
18/b 0020038318	5C UPPER HINGE TURRET
19 0020038167	UPPER HINGE TURRET SPACER
20 0020034173	PIN FOR DOOR STOP ROD
21 VIT0007102	BENZING-QUICKLOCK
22 ELT0030560	MAGNET D.8X4
23 0020018061	BUTTON PLUG
24 0020038232	UPPER GLASS LED BOARD SUPPORT
25 SCH0007820	7 LED BOARD
26 0400008457	CUPS SENSOR SUPPORT
27 VIT0000011	M 4x8 TCB SCREW
28 ELT0006813	DISTANCE MEASURE SENSOR
29 0020040671	CUPS SENSOR LOWER COVER
30 0020040672	CUPS SENSOR UPPER COVER
31 0020038176	CONTAINERS SUPPORT
32 VIT0007021	3 x 6 ALUMINIUM RIVET



CAFFE EUROPA MULTIMEDIA

KEYBOARD

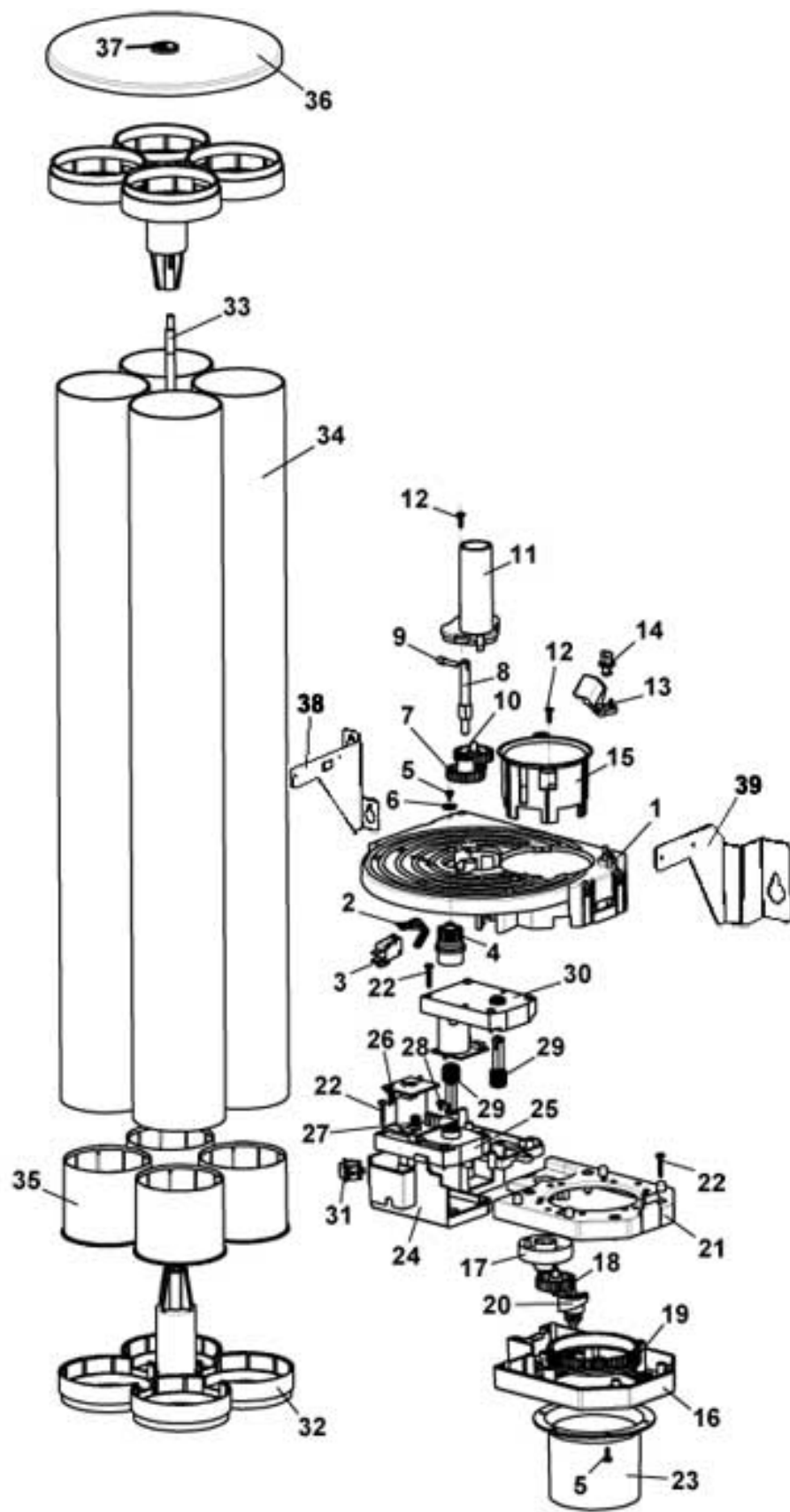
Pos. Code	Description
1 0020038252DAR1	16 BUTTONS GLASS+LABEL
2/a 0020038254CF	SELECTION BUTTON (ANTHRACITE GREY RAL 7016)
2/b 0020038254IC	SELECTION BUTTON (ORANGE RAL 2011)
3 0020034311	FEELER SPRING
4 0020038253	WHITE 16S BUTTONS CHECKING PANEL
5 0020038256	18 BUTTONS KEYBOARD
6 0020038251	KEYBOARD SUPPORT



CAFFE EUROPA MULTIMEDIA

1 TURRET CUPS STATION

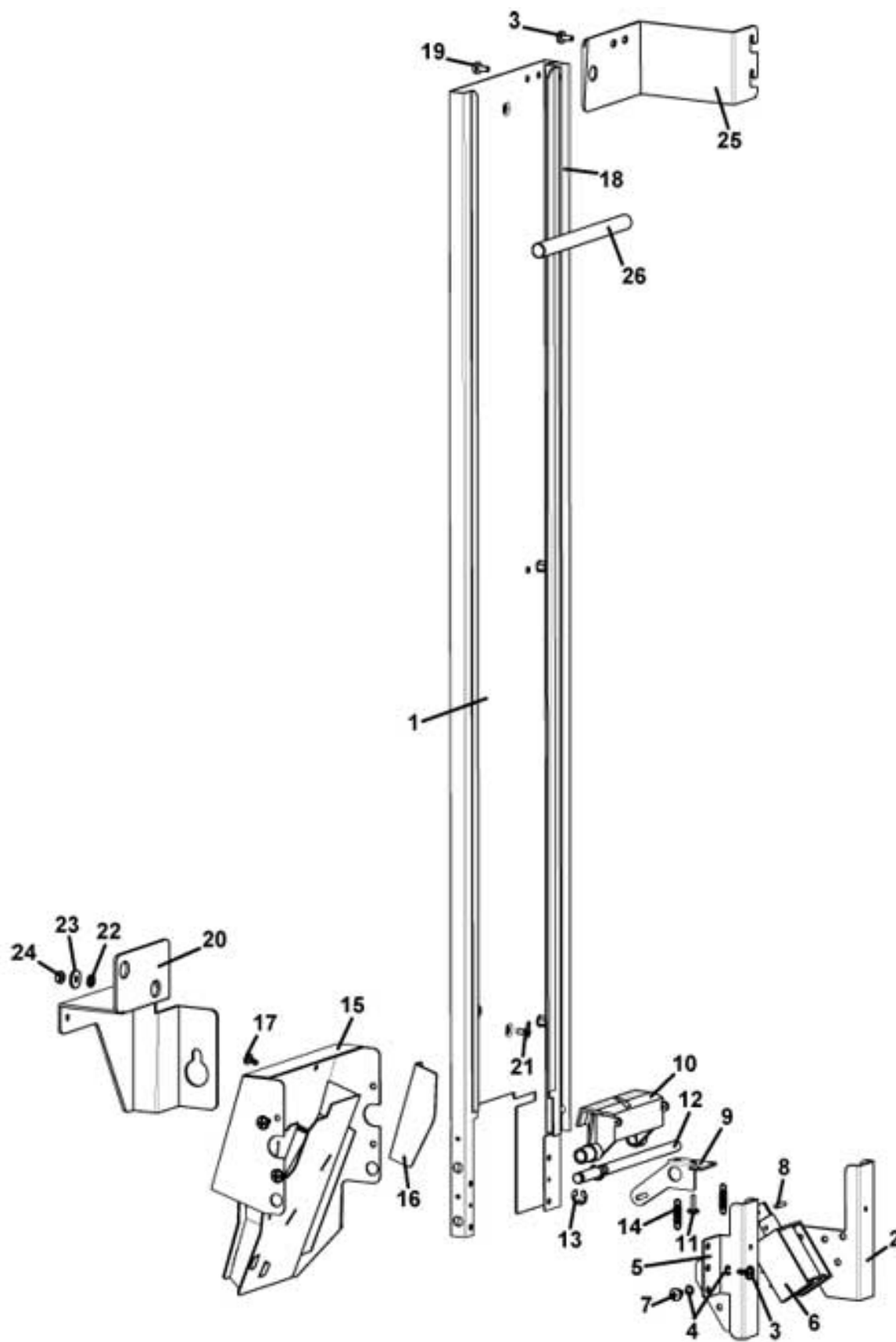
Pos. Code	Description
1 0020038126DA	CUPS STATION FRAME (PEARL LIGHT GREY RAL 9022)
2 0400008009/2	CUPS STOP HATCH
3 0020034168NA	CUPS BLACK HATCH GUIDE (BLACK COLOR)
4 VIT0002004	TAPPING SCREW TCB 3.5 x 13
5 VIT0003301	WASHER D.12 x 4.3 x 1.5
6 0400006011NA	R.H. BRACKET
7 0400007021	LOCKING SPRING
8 0400007027NA	R.H. SUPPORT
9 0400007017NA	BLACK LOCKING PLATE
10 VIT0002004	TAPPING SCREW TCB 3.5 x 13
11 0400006026NA	L.H. BRACKET
12/a 0400007014NA	L.H. SUPPORT
12/b 0400008554NA	LEFT BAND SUPPORT (BLACK) FOR VERSION WITH THE CUPS SENSOR KIT
13/a 0400007003NA	CUP STOP SUPPORT
13/b 0400008562NA	CUP STOP SUPPORT (BLACK) FOR VERSION WITH THE CUPS SENSOR KIT
14 0400008101NA	FEEDER SUPPORT
15 VIT0002401	SCREW TCB 3.5 x 9.5
16 0400006033NA	CUP SUPPORT
17 VIT0007104R	BUSH
18 0150001056	DRIP TRAP
19 VIT0002469	SCREW TC 3.5 x 10
20 0150001052NA	FEEDER (BLACK COLOR)
21 0150001053	FEEDER COUNTERPART
22	



CAFFE EUROPA MULTIMEDIA

CUPS LOADER (1 TURRET)

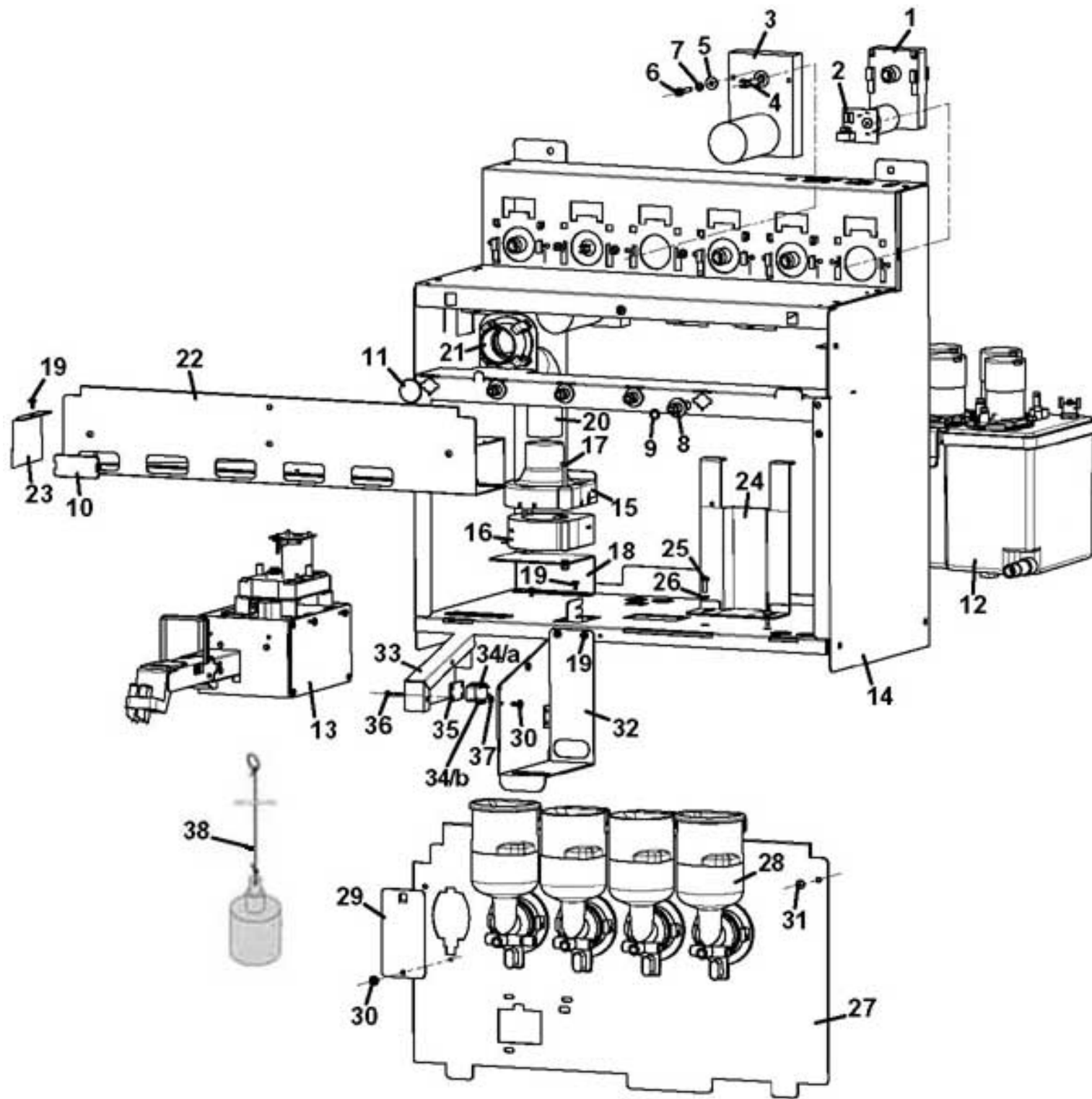
Pos. Code	Description
1	0190006534CY-03 TURRET SUPPORT (RAL 9018)
2	0190006543-01 MICRO LEVER
3	ELE0001530 3A 125-250VA MICRO
4	0190006546 DB MOTOR CONNECTION
5	VIT0002469 SCREW TC 3.5 x 10
6	VIT0003301 WASHER D.12 x 4.3 x 1.5
7	0190006503 TURRET Z26 WHEEL
8	0190006536 TURRET SHAFT
9	0190006553 ORIENTATION PIN
10	0190006544 Z16 PINION
11	0190006537CY TURRET CONNECTION (TECNIC GREY RAL 9018)
12	VIT0002101 3.9x 13 TAPPING TCB SCREW
13	0190006554CY TURRET STOPPED LEVER (TECNIC GREY RAL 9018)
14	0190006555CY STOPPED PIN (TECNIC GREY RAL 9018)
15/a	0190006538CF D.70 REDUCTION (ANTHRACITE GREY RAL 7016)
15/b	0190006539CY D.73 REDUCTION (TECNIC GREY RAL 9018)
16	0190006521CY PALLETS LOWER PLATE (TECNIC GREY RAL 9018)
17	0190006511NA DB MOTOR CONNECTION (BLACK)
18	0190006528 IDLE Z26 WHEEL
19/a	0190006523 D.70/73 RING NUT
19/b	0190006507 D.78/80 RING NUT
20/a	0190006506IC PALLETS D.70/78 PLASTIC (ORANGE RAL 2011)
20/b	0190006552CI PALLETS D.73 PLASTIC (TRAFFIC GREY RAL 7042)
20/c	0190006502 PALLETS D.73/80 (PAPER)
20/d	0190006551GJ PALLETS D.70/78 PAPER (ZINC YELLOW RAL 1018)
21	0190006524CY PALLETS UPPER PLATE (TECNIC GREY RAL 9018)
22	VIT0002455 QUICK-THREAD SCREW 3.5 x 20
23/a	0190006514CY D.70/73 CUPS FEEDER (TECNIC GREY RAL 9018)
23/b	0190006515CY D.78/80 CUPS FEEDER (TECNIC GREY RAL 9018)
24	0190006522CY MOTOR SUPPORT (TECNIC GREY RAL 9018)
25	0090002114R1 24V DC 11 RPM GEAR MOTOR W/FILTER
26	SCH0007020 MOTORS FILTER
27	SCH0007000 PALLETS SENSOR
28	VIT0002002 SCREW TCB 3.5x6.5
29	0190006518 Z18 SHAFT
30	0090002123 24V DC 5.5 RPM GEAR MOTOR
31	ELE0002258 RED UNIPOLAR BUTTON
32	0180013105CY-01 4COLUM. HOSES CONNECTION (RAL 9018)
33	0180013114 SINGLE TURRET TIE-BOLT
34	0180013109 1 TURRET PIPE D.84/81MM L680MM
35	0180013113 D.70 COLUMN REDUCTION
36	0180013107CY TURRET COVER (TECNIC GREY RAL 9018)
37	ELT0030560 MAGNET D.8X4
38	0020038121 LEFT TURRET SUPPORT
39/a	0020038122 RIGHT TURRET SUPPORT
39/b	0020038123 TURRET RIGHT SUPPORT WITH STIRRERS
100	0190006522CLR ASSEMBLED TURRET DB MOTORS SUPPORT FROM POS. 24 TO POS. 31
101	0180013100CL1 HIGH ASSEMBLED 4C TURRET D.70/73 FROM POS. 32 A POS. 36



CAFFE EUROPA MULTIMEDIA

STICKS DISPENSER (1 TURRET)

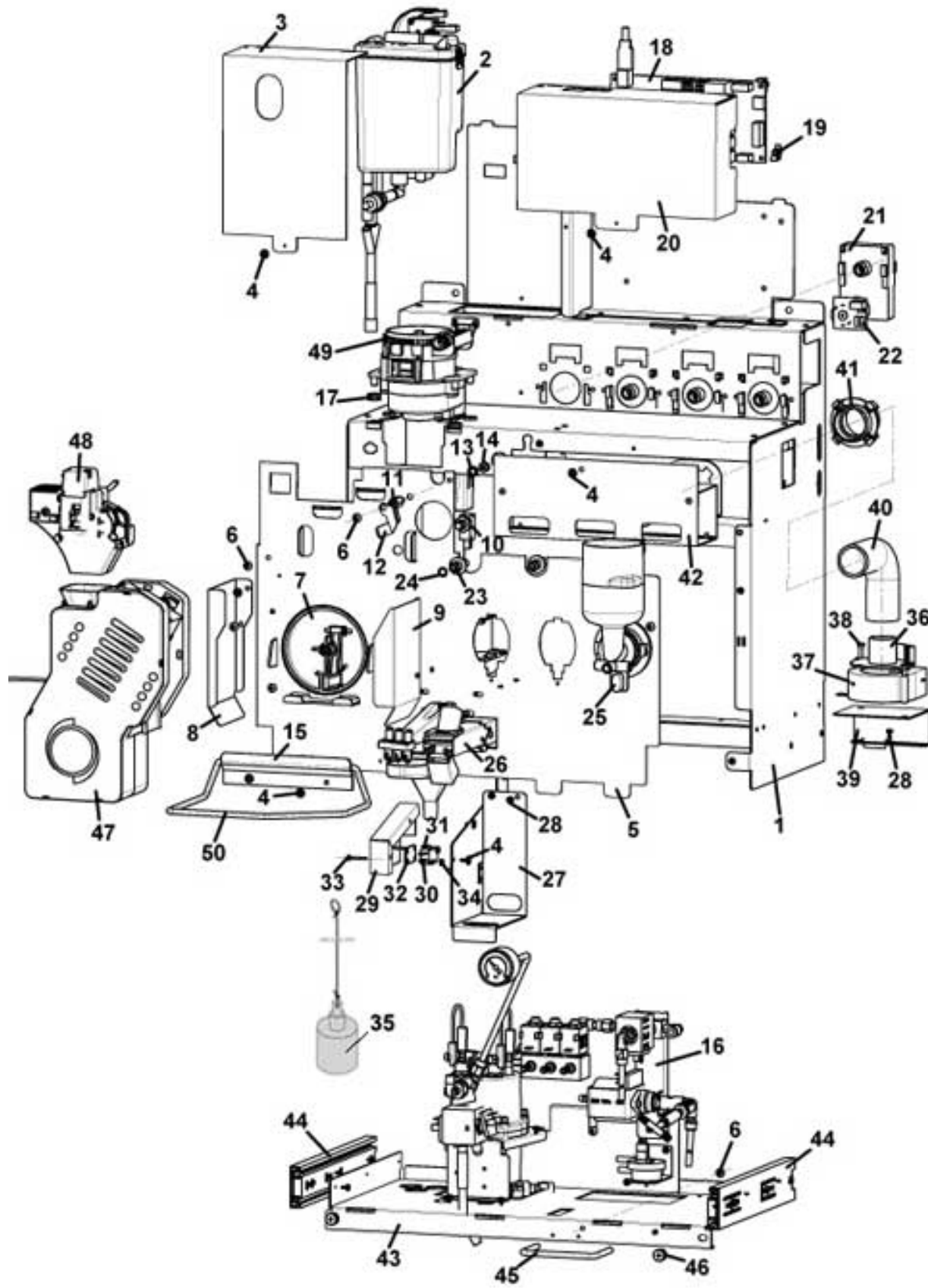
Pos. Code	Description
1 0450011056	STICKS CONTAINER
2 0450011063	RIGHT ELECTROMAGNET SUPPORT
3 VIT0002401	SCREW TCB 3.5 x 9.5
4 VIT0003405	D.4.3 GROWER WASHER
5 0450011064	LEFT ELECTROMAGNET SUPPORT
6 ELE0000055	24 V DC ELECTROMAGNET
7 VIT0000021	M 4x6 TCB SCREW
8 VIT0005211	2.5 x 12 CYLINDRICAL PIN
9 0450011065	STICKS DISPENSER ROD
10 0450002003	STICKS DISPENSER
11 VIT0002469	SCREW TC 3.5 x 10
12 0450011066	STICKS DISPENSER PIN
13 VIT0006504	D.5 RADIAL STOP RING
14 0450003010	RETURN SPRING
15 0450011106	STICKS FEEDER
16 0450011112	INTERNAL WALL
17 VIT0002009	SCREW T.C.B. 3,5 x 6,5
18 0450011057	STICKS CONTAINER GUIDE
19 VIT0000030	SCREW TCB M4 x 7
20 0020038123	TURRET RIGHT SUPPORT WITH STIRRERS
21 VIT0000106	M 4x8 TSP SCREW
22 VIT0003103	WASHER tab D. 4.3
23 VIT0003302	5.5x12x1.5 FLAT WASHER
24 VIT0004503	NUT M 4
25 0020038166	STICKS STIFFENING
26/a 4001012030	STICK WEIGHT 89 mm
26/b 0450003033	STICK WEIGHT 104 mm
100 0450011100CL	STICKS DISPENSER 89mm FROM POS. 1 TO POS. 19
101 0450011101CL	STICKS DISPENSER 104 FROM POS.1 TO POS. 19 (EXCLUDED POS. 16 AND 17)



CAFFE EUROPA MULTIMEDIA

SOLUBLES DISPENSER H

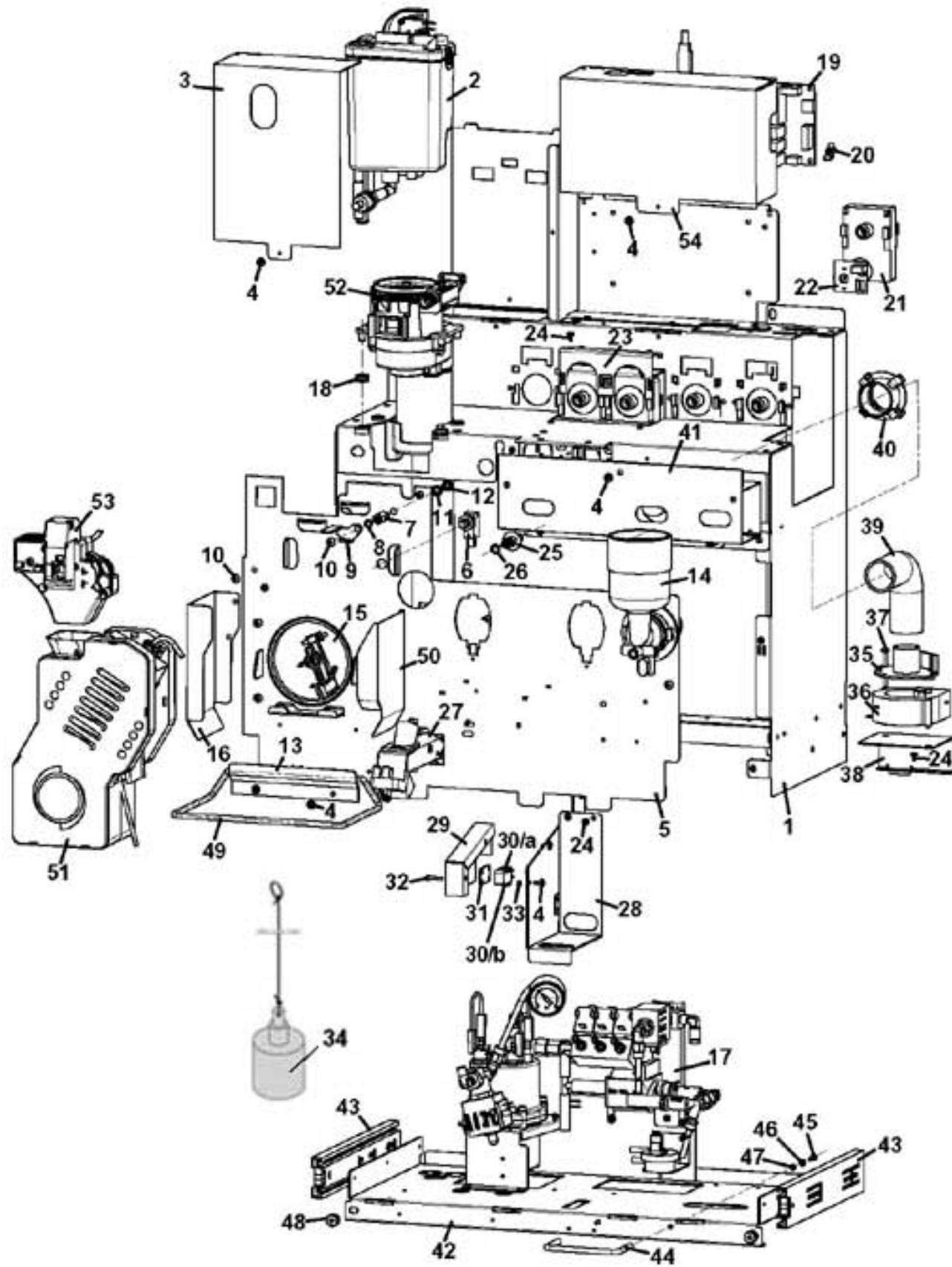
Pos. Code	Description
1 0090002113	24V DC 97RPM PRODUCT GEAR MOTOR
2 SCH0003760	FILTRO MOTORI (INARLOCK 2 VIE) DC
3 0090002093	24V D.C. 32 RPM PRODUCT GEAR MOTOR
4 0230012010	DRIVING PINION
5 0090002079	GEAR MOTOR SPACER
6 VIT0000015	M 4x25 TCB SCREW
7 VIT0003103	WASHER tab D. 4.3
8 0080100043	WATER OUTLET
9 GUA0000089	SILICONE 2031 OR
10 0070014776	EXHAUST PLUG
11 0080100035NA	BLACK PLUG
12	See table BOILER
13	See table DISTRIBUTION PIPES MOVEMENT
14 0070014905	H6/7 SOLUBLES HOUSING
15 0070014627NA	EXHAUST FAN SUPPORT (BLACK)
16 ELE0000465R	24V DC FAN
17 VIT0000235	M 4X40 TE SCREW
18 0070014625	FAN SUPPORT
19 VIT0002009	SCREW T.C.B. 3,5 x 6,5
20 TEOL000002	EXTERNAL WRINKLED PIPE D.30
21 0070020019CY	EOLO TUBE SUPPORT (GREY RAL 9018)
22 0070014921	EXHAUST HOUSING
23 0070014925	EXHAUST DRAWER PLUG
24 0070020023	BOILER FIXING
25 VIT0001005	SCREW T.C.B. M 4 x 12
26 VIT0003109	WASHER tab D. 4.3
27 0070014912	MIXER SUPPORT H
28	See table MIXER "H"
29 0010020028NA	BLACK MIXER PLUG
30 VIT0002401	SCREW TCB 3.5 x 9.5
31 VIT0000030	SCREW TCB M4 x 7
32 0070020231	GUIDE FOR PIPES
33 0070020037	MICRO PROTECTION
34/a ELE0001528	MICRO 83.161.832
34/b NL201106265	MICRO LEVER
35 4600010014	MICRO SPACER
36 VIT0000006	M 3x16 TCB SCREW
37 VIT0004701	M3 FR NUT
38 0070020038CL1	ASSEMBLED FLOATER
100 0090002113R	24V DC 97RPM PRODUCT GEAR MOTOR + FILTER (POS.1 + 2)



CAFFE EUROPA MULTIMEDIA

SOLUBLES DISPENSER FOR VERSION E6

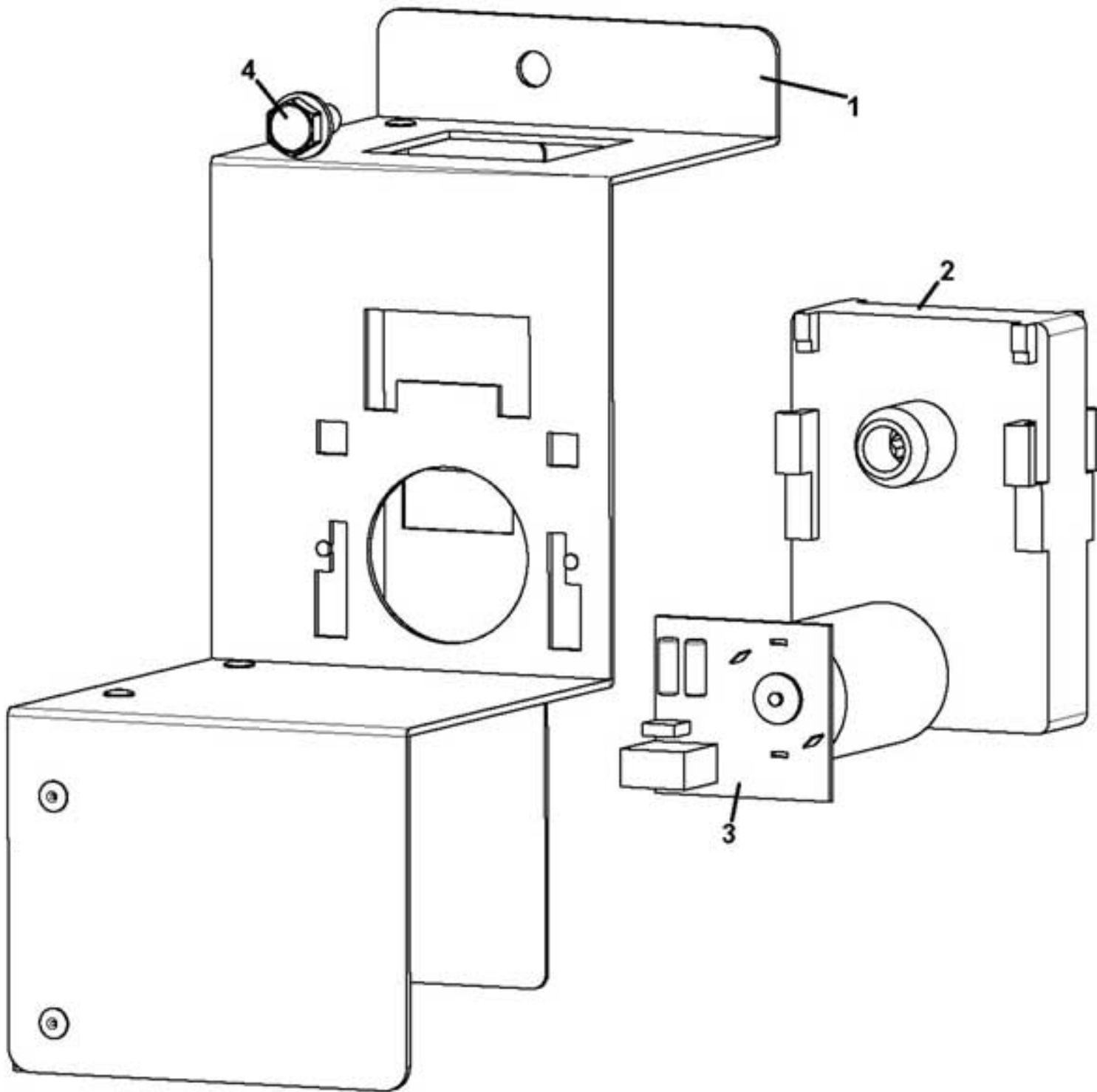
Pos. Code	Description
1 0070015105	RIVETED MIXED E SOLUBLES HOUSING
2	See table WATER INLET PANEL
3 0070015117	PROTECTION TANK
4 VIT0002401	SCREW TCB 3.5 x 9.5
5 0070015121	MIXER SUPPORT E 1T
6 VIT0000030	SCREW TCB M4 x 7
7	See table COFFEE BEANS GROUP SUPPORT
8 0070014674CK	COFFEE POWDERS CHUTE (GREY RAL 7037)
9 0260010112	GROUNDS FEEDER
10 ELE0001506	MICROSWITCH 83.131.8-IW3M
11 0010020196	HOOKING BLOCK
12 0010020132	GROUP CONNECTING PLATE
13 VIT0003105	WASHER tab D. 6.4
14 VIT0004505	NUT M6
15 0260005022	BAG SUPPORT PLATE
16	See table PRESOBEAN BOILER SUPPORT FOR VERSION E6
17 GUA0010003	BLACK CHOCK RUBBER 7522
18 SCH0007401	COFFEE GROUP CONTROL (WITH FUSE)
19 ELE0062008	PIN BOARD SUPPORT
20 0070014673	RIVETED "E" BOARD COVER
21 0090002113	24V DC 97RPM PRODUCT GEAR MOTOR
22 SCH0003760	FILTRO MOTORI (INARLOCK 2 VIE) DC
23 0080100043	WATER OUTLET
24 GUA0000089	SILICONE 2031 OR
25	See table
26	See table DISTRIBUTION PIPES MOVEMENT
27 0070015145	GUIDE FOR PIPES
28 VIT0002009	SCREW T.C.B. 3.5 x 6.5
29 0070015146	MICRO PROTECTION
30 ELE0001528	MICRO 83.161.832
31 NL201106265	MICRO LEVER
32 4600010014	MICRO SPACER
33 VIT0000006	M 3x16 TCB SCREW
34 VIT0004701	M3 FR NUT
35 0070020038CL1	ASSEMBLED FLOATER
36 0010014071	D.30 EXHAUST COVER
37 ELE0000465R	24V DC FAN
38 VIT0000235	M 4X40 TE SCREW
39 0070015142	FAN SUPPORT
40 TEOL000002	EXTERNAL WRINKLED PIPE D.30
41 0070020019CY	EOLO TUBE SUPPORT (GREY RAL 9018)
42 0070014665	E RIVETED EXHAUST HOUSING
43 0070015122	MOBILE MIXER HOUSING BOTTOM
44 0070015144	TELESCOPIC COUPLE OF GUIDE
45 0070015143	BOTTOM EXTRACTABLE HANDLE
46 0180012157	COIN BOX PROTECTION CLOSING
47	See table MICRO COFFEE GROUP
48	See table PLASTIC BATCHER WITH SETTING
49	See table VERTICAL MILL GROUPS
50 0260005021	GROUNDS BAG SUPPORT
100 0090002113R	24V DC 97RPM PRODUCT GEAR MOTOR + FILTER POS.21+22



CAFFE EUROPA MULTIMEDIA

SOLUBLES DISPENSER FOR VERSION E7

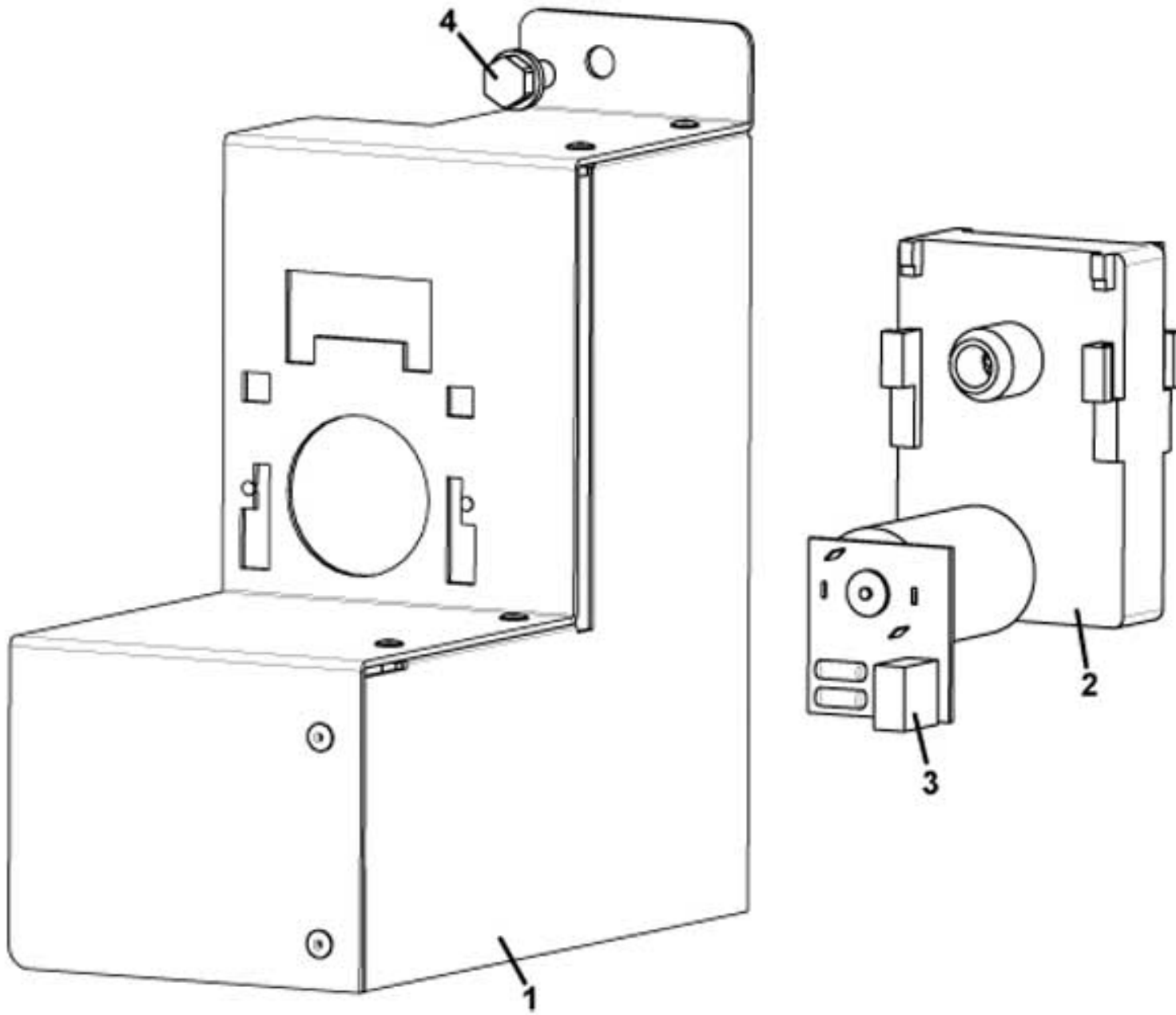
Pos. Code	Description	
1	0070015505	E7 MIXED HOUSING RIVETED
2		See table WATER INLET PANEL
3	0070015117	PROTECTION TANK
4	VIT0002401	SCREW TCB 3.5 x 9.5
5	0070015710	MIXER SUPPORT E 1T
6	ELE0001506	MICROSWITCH 83.131.8-IW3M
7	0010020196	HOOKING BLOCK
8	GUA0000004	GASKET 104
9	0010020132	GROUP CONNECTING PLATE
10	VIT0000030	SCREW TCB M4 x 7
11	VIT0003105	WASHER tab D. 6.4
12	VIT0004505	NUT M6
13	0260005022	BAG SUPPORT PLATE
14		See table
15		See table COFFEE BEANS GROUP SUPPORT
16	0070014674CK	COFFEE POWDERS CHUTE (GREY RAL 7037)
17		See table PRESOBEAN BOILER SUPPORT FOR VERSION E6
18	GUA0010003	BLACK CHOCK RUBBER 7522
19	SCH0007401	COFFEE GROUP CONTROL (WITH FUSE)
20	ELE0062008	PIN BOARD SUPPORT
21	0090002113	24V DC 97RPM PRODUCT GEAR MOTOR
22	SCH0003760	FILTRO MOTORI (INARLOCK 2 VIE) DC
23	0070015524	PRODUCT MOTORS STOPPER
24	VIT0002009	SCREW T.C.B. 3.5 x 6.5
25	0080100123	D.2 OUTLET MIXER CONNECTION
26	GUA0000085	SILICONE GASKET 106
27		See table DISTRIBUTION PIPES MOVEMENT
28	0070015145	GUIDE FOR PIPES
29	0070015146	MICRO PROTECTION
30/a	ELE0001528	MICRO 83.161.832
30/b	NL201106265	MICRO LEVER
31	4600010014	MICRO SPACER
32	VIT0000006	M 3x16 TCB SCREW
33	VIT0004701	M3 FR NUT
34	0070020038CL1	ASSEMBLED FLOATER
35	0010014071	D.30 EXHAUST COVER
36	ELE0000465R	24V DC FAN
37	VIT0000235	M 4X40 TE SCREW
38	0070015142	FAN SUPPORT
39	TEOL000002	EXTERNAL WRINKLED PIPE D.30
40	0070020019CY	EOLO TUBE SUPPORT (GREY RAL 9018)
41	0070015513	E RIVETED EXHAUST HOUSING
42	0070015517	MOBILE MIXER HOUSING BOTTOM
43	0070015144	TELESCOPIC COUPLE OF GUIDE
44	0070015143	BOTTOM EXTRACTABLE HANDLE
45	VIT0001010	M 3x12 TCB SCREW
46	VIT0003002	D.3.2x7x0.5 WASHER
47	VIT0003110	WASHER tab D. 3.2
48	0180012157	COIN BOX PROTECTION CLOSING
49	0260005021	GROUNDS BAG SUPPORT
50	0070015165	GROUNDS FEEDER
51		See table MICRO COFFEE GROUP
52		See table VERTICAL MILL GROUPS
53		See table PLASTIC BATCHER WITH SETTING
54	0070014673	RIVETED "E" BOARD COVER
100	0090002113R	24V DC 97RPM PRODUCT GEAR MOTOR + FILTER POS.20+21



CAFFE EUROPA MULTIMEDIA

ADDITIONAL GEAR MOTOR SUPPORT "H"

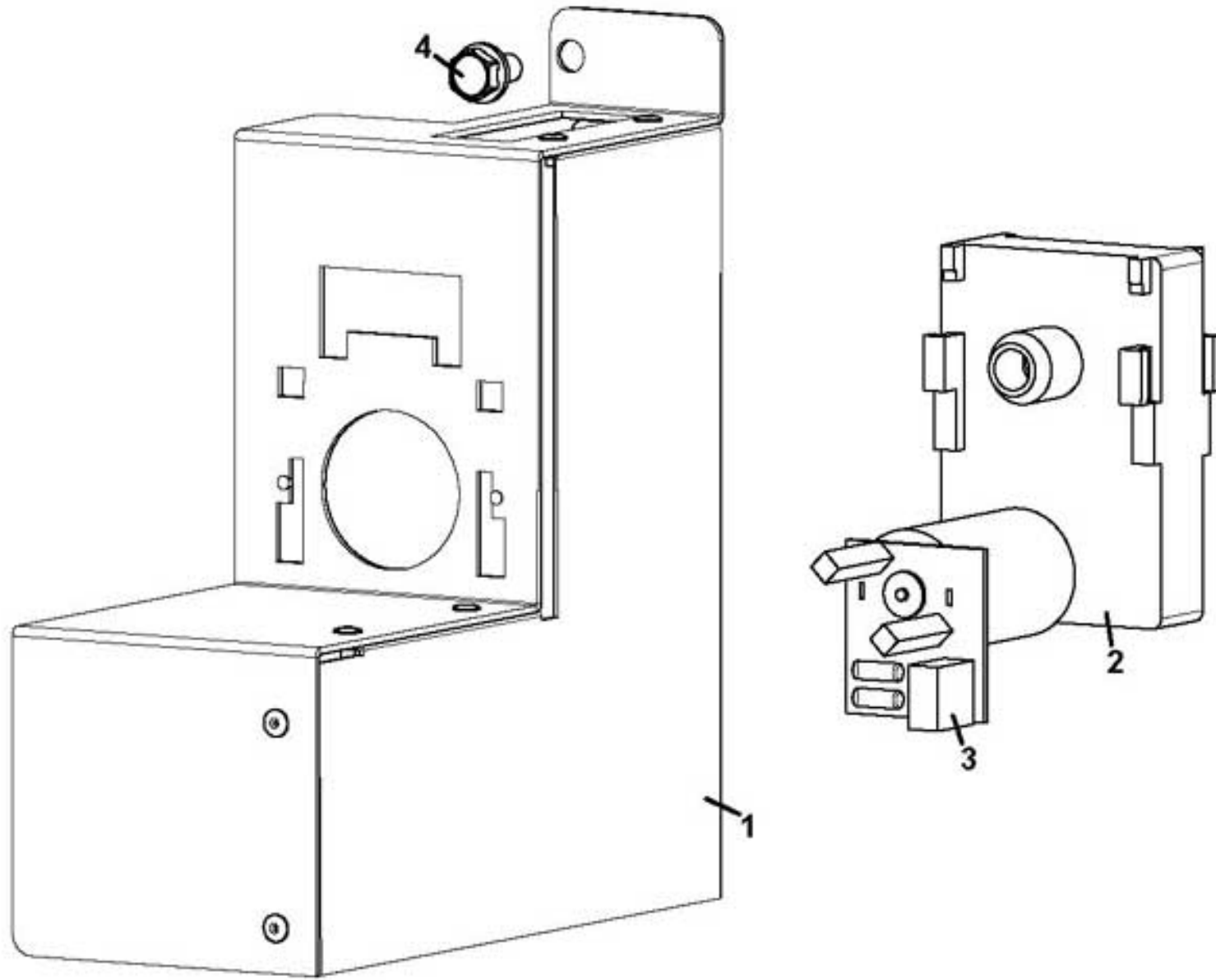
Pos.	Code	Description
1	0070014640	RIVETED ADDITIONAL GEAR MOTOR SUPPORT
2	0090002113	24V DC 97RPM PRODUCT GEAR MOTOR
3	SCH0003760	FILTRO MOTORI (INARLOCK 2 VIE) DC
4	VIT0000236	E.H SCREW M 6 x 11 + FR
100	0090002113R	24V DC 97RPM PRODUCT GEAR MOTOR + FILTER POS. 2+3



CAFFE EUROPA MULTIMEDIA

ADDITIONAL GEAR MOTOR SUPPORT FOR VERSION E6

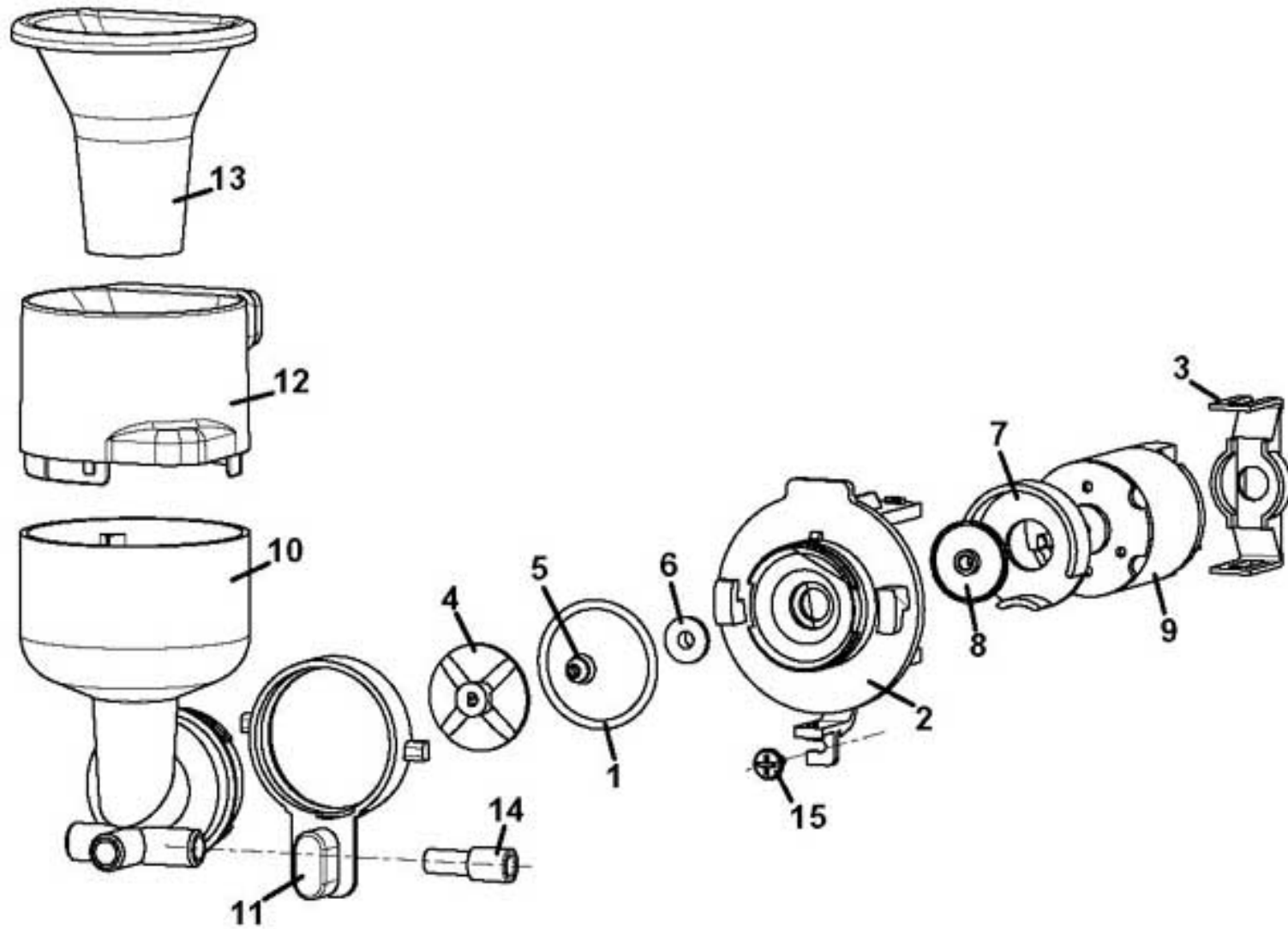
Pos. Code	Description
1 0070014680	RIVETED ADDITIONAL GEAR MOTOR SUPPORT
2 0090002113	24V DC 97RPM PRODUCT GEAR MOTOR
3 SCH0003760	FILTRO MOTORI (INARLOCK 2 VIE) DC
4 VIT0000236	E.H SCREW M 6 x 11 + FR
100 0090002113R	24V DC 97RPM PRODUCT GEAR MOTOR + FILTER POS. 2+3



CAFFE EUROPA MULTIMEDIA

ADDITIONAL GEAR MOTOR SUPPORT FOR VERSION E7

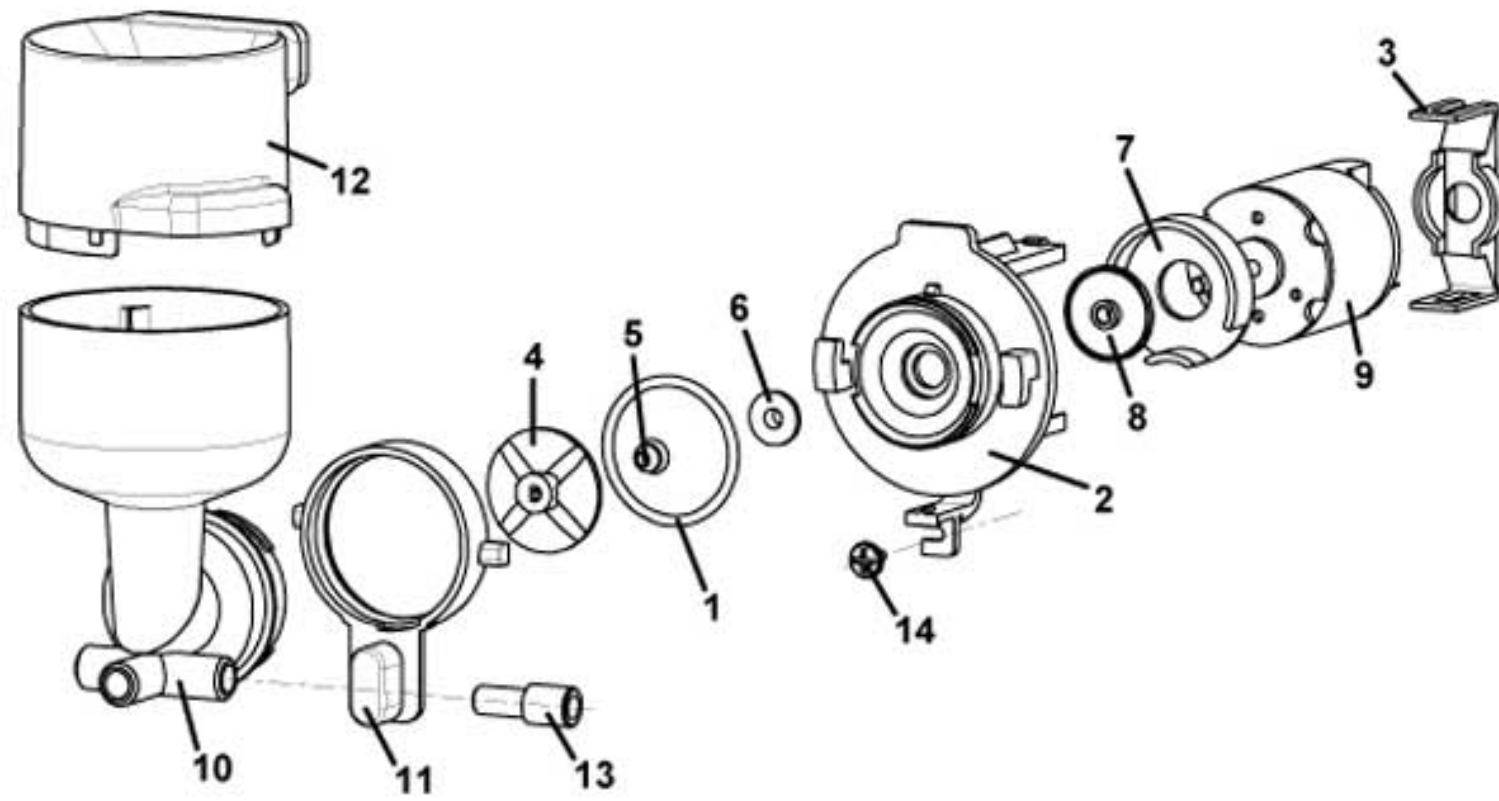
Pos. Code	Description
1 0070015521	RIVETED ADDITIONAL GEAR MOTOR SUPPORT
2 0090002113	24V DC 97RPM PRODUCT GEAR MOTOR
3 SCH0003760	FILTRO MOTORI (INARLOCK 2 VIE) DC
4 VIT0000236	E.H SCREW M 6 x 11 + FR
100 0090002113R	24V DC 97RPM PRODUCT GEAR MOTOR + FILTER POS. 2+3



CAFFE EUROPA MULTIMEDIA

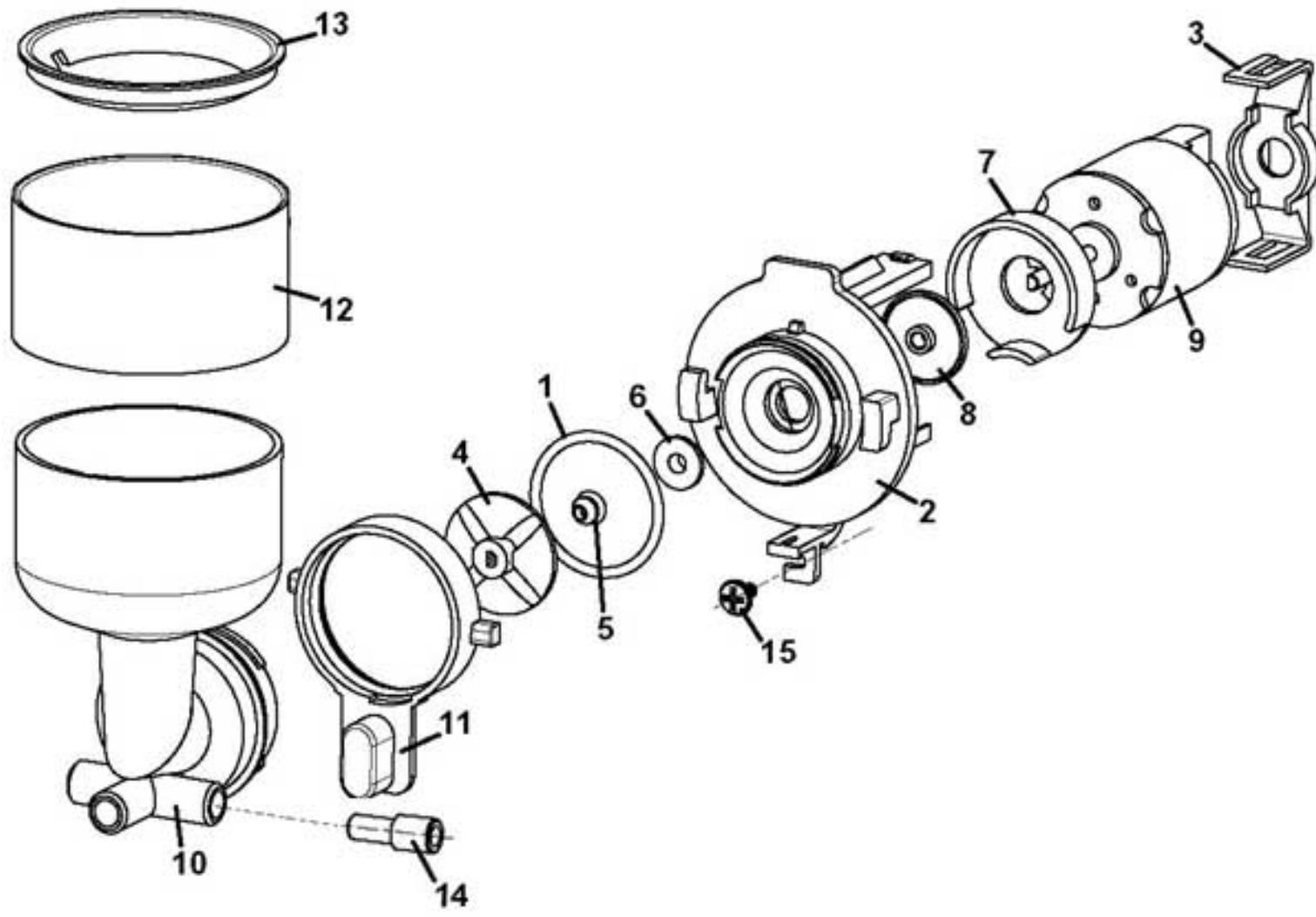
MIXER "H"

Pos. Code	Description
1 GUA0000084	GASKET 3131
2 0080100005	MIXER BASE
3 0080100009IC	ORANGE MOTOR CONNECTION COVER
4 0080100011	SMALL FAN MIXER SHAFT D.4
5 0080100101	MIXER GASKET - SHAFT D.4
6 0080100015	MIXER BASE BUSH
7 0080100023IC	ORANGE MIXER COVER
8 0080100024	DRIP TRAP FAN
9 0090003023	24 V DC MIXER MOTOR SHAFT D.4
10/a 0080100041	MIXER WITH BODY
10/b 0080100041/1	MIXER WITH BODY WITHOUT LINE
11 0080100006IC	ORANGE STOPPER RING
12/a 0080100031NA	EXHAUST BODY (BLACK)
12/b 0080100029CK	REDUCTION EXHAUST BODY (GREY RAL 7037)
13 0080100099NA	TOPPING FEEDER (BLACK)
14 0080100095	COFFEE OUTLET REDUCTION D.4
15 VIT0002401	SCREW TCB 3.5 x 9.5
100 0080100001R	MIXER BASE+MOTOR ASSEMBLY (FROM POS.1 TO POS.9) assieme



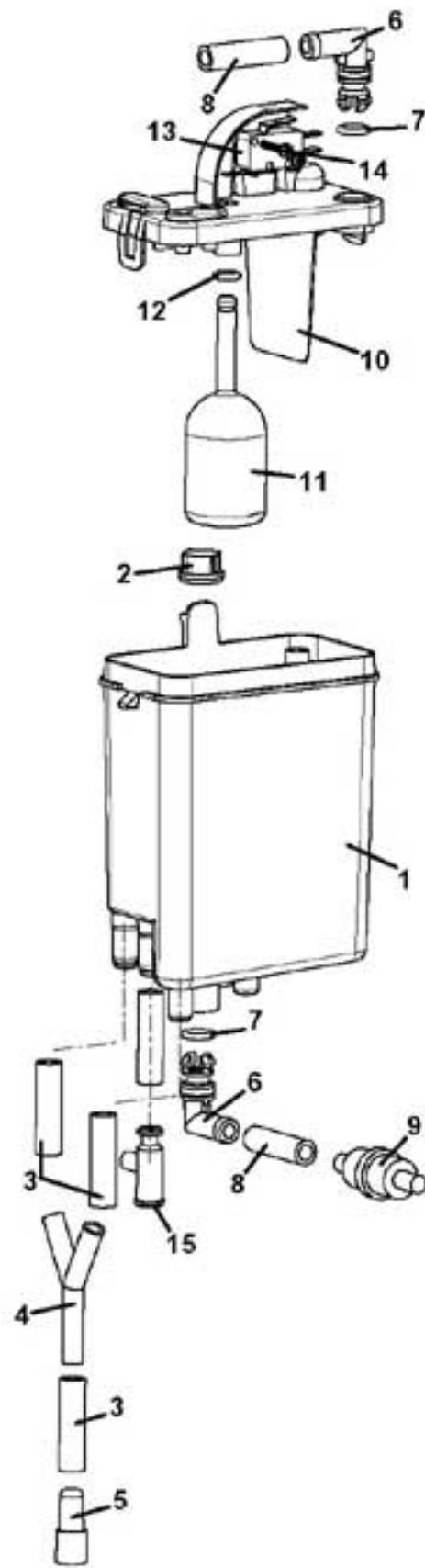
CAFFE EUROPA MULTIMEDIA

Pos. Code	Description	
1	GUA0000084	GASKET 3131
2	0080100005	MIXER BASE
3	0080100009IC	ORANGE MOTOR CONNECTION COVER
4	0080100011	SMALL FAN MIXER SHAFT D.4
5	0080100101	MIXER GASKET - SHAFT D.4
6	0080100015	MIXER BASE BUSH
7	0080100023IC	ORANGE MIXER COVER
8	0080100024	DRIP TRAP FAN
9	0090003023	24 V DC MIXER MOTOR SHAFT D.4
10	0080100041	MIXER WITH BODY
11	0080100006IC	ORANGE STOPPER RING
12/a	0080100031NA	EXHAUST BODY (BLACK)
12/b	0080100029CK	REDUCTION EXHAUST BODY (GREY RAL 7037)
13/a	0080100016	INSTANT COFFEE REDUCTION D.2,5
13/b	0080100095	COFFEE OUTLET REDUCTION D.4
14	VIT0002401	SCREW TCB 3.5 x 9.5
100	0080100001R	MIXER BASE+MOTOR ASSEMBLY (FROM POS.1 TO POS.9) assieme



CAFFE EUROPA MULTIMEDIA

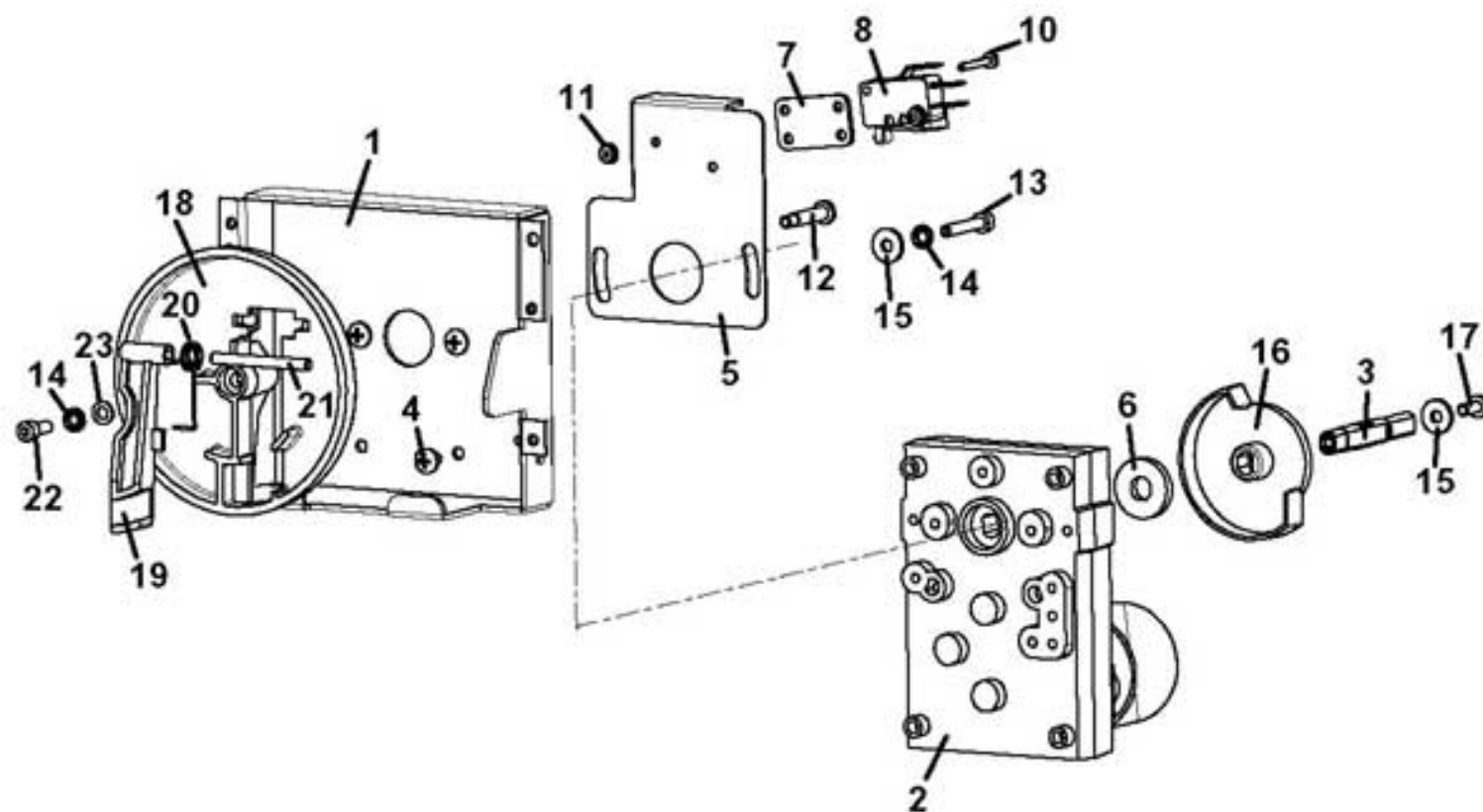
Pos. Code	Description	
1	GUA0000084	GASKET 3131
2	0080100005	MIXER BASE
3	0080100009IC	ORANGE MOTOR CONNECTION COVER
4	0080100011	SMALL FAN MIXER SHAFT D.4
5	0080100101	MIXER GASKET - SHAFT D.4
6	0080100015	MIXER BASE BUSH
7	0080100023IC	ORANGE MIXER COVER
8	0080100024	DRIP TRAP FAN
9	0090003023	24 V DC MIXER MOTOR SHAFT D.4
10	0080100007/1	MIXER WITH INLET WITHOUT LINE
11	0080100006IC	ORANGE STOPPER RING
12	0080100131	EXHAUST BODY
13	0080100022	MIXER BODY RING
14	0080100095	COFFEE OUTLET REDUCTION D.4
15	VIT0002401	SCREW TCB 3.5 x 9.5
100	0080100001R	MIXER BASE+MOTOR ASSEMBLY (FROM POS.1 TO POS.9) assieme



CAFFE EUROPA MULTIMEDIA

WATER INLET PANEL

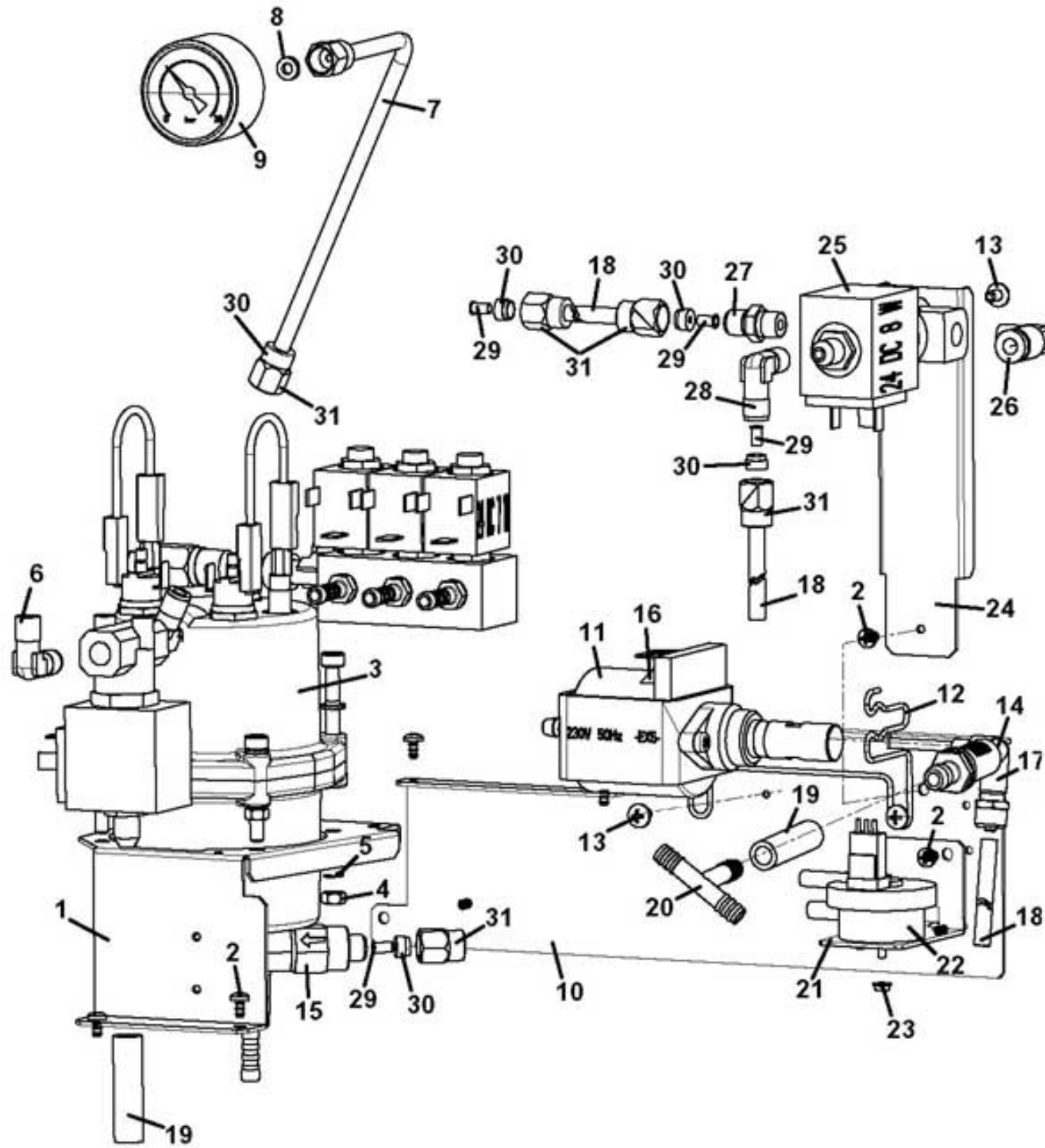
Pos. Code	Description
1 0800013041	TANK
2 0110020007	D.20 PLASTIC FILTER
3 TSIL07/11T	TRANSPARENT SILICONE PIPE D.7 x 11
4 0100001065	'Y' FITTING
5 650001057	DISCHARGE PLUG
6 0800009211	ELBOW WITH RAPID CONNECTION
7 GUA0000043	OR 109
8 TSIL06/11T	TRANSPARENT SILICONE PIPE
9 0109002002	WATER FILTER
10 0800013043	TANK COVER
11 0800013046	FLOATER TANK
12 GUA0000082	SILICONE GASKET D.6
13 ELE0001514	3 A 250 V MICROSWITCH
14 VIT0002013	2.9 x 19 TAPPING TCB SCREW
15 0600016028	"T" UNION
100 0800014001R	AIR BREAK



CAFFE EUROPA MULTIMEDIA

COFFEE BEANS GROUP SUPPORT

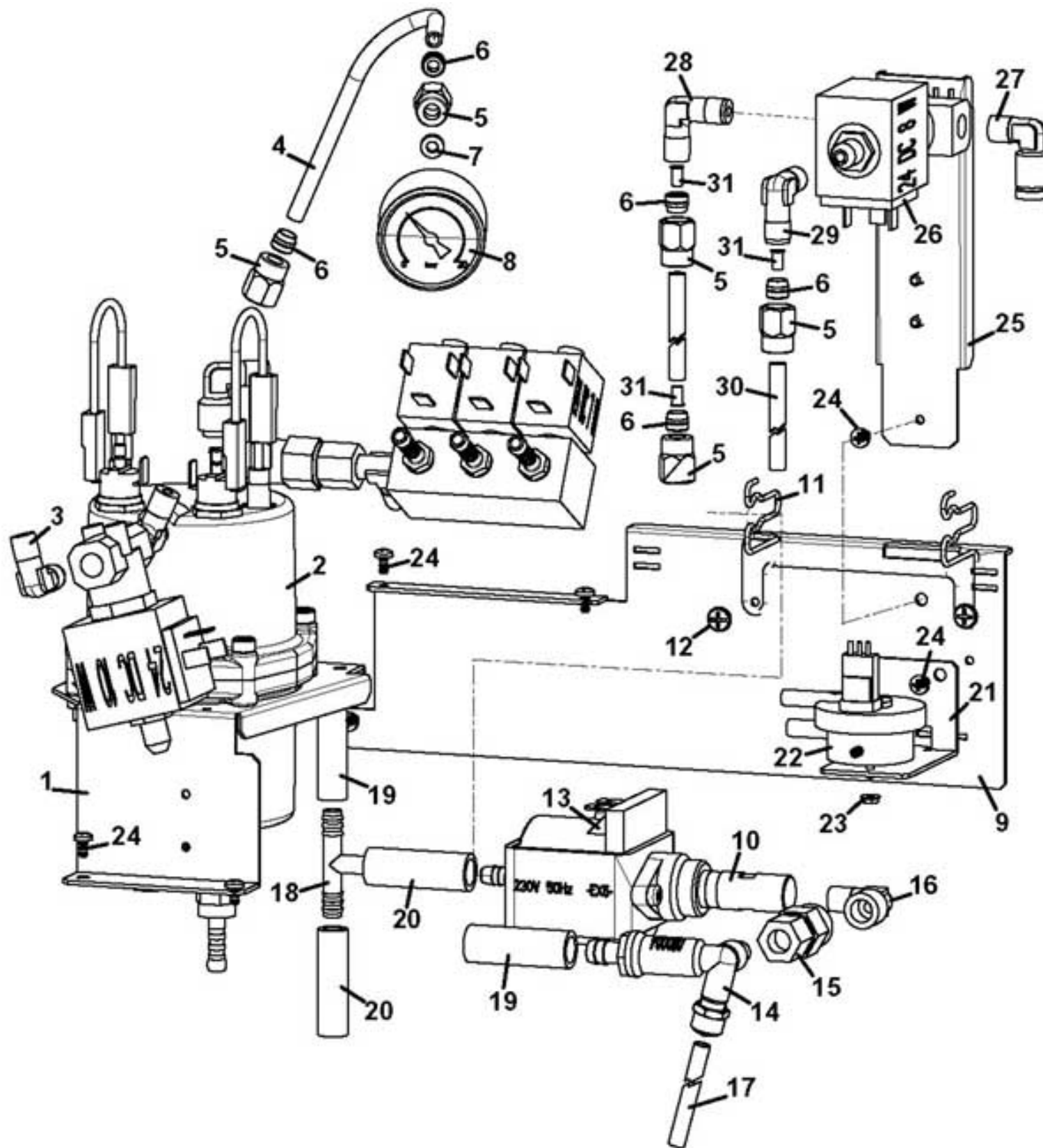
Pos. Code	Description
1 0260010102CK	MICRO GROUP MOTOR SUPPORT (GREY RAL 7037)
2 0090002191	11 RPM 24V DC MOTOR
3 0090002181	COFFEE BEANS GROUP SHAFT
4 VIT0000030	SCREW TCB M4 x 7
5 0250008093	MICRO PLATE
6 0250008091	MICRO SPACER
7 4600010014	MICRO SPACER
8 ELE0001529	MICRO WITH LEVER
10 VIT0000007	M 3x20 TCB SCREW
11 VIT0004701	M3 FR NUT
12 0250008126	SPECIAL M4 PIN
13 VIT0005521	4x25 TCEI SCREW
14 VIT0003103	WASHER tab D. 4.3
15 VIT0003301	WASHER D.12 x 4.3 x 1.5
16 0250008043	GROUP READER DISK
17 VIT0000013	M 4x12 TCB SCREW
18 0250008012	MOTOR CRANK
19 0250008034	HOOKING LEVER
20 0250008059	SPRING FOR HOOKING LEVER
21 VIT0005205	4 x 40 CYLINDRICAL PIN
22 VIT0005508	4x12 TCEI SCREW
23 VIT0003003	WASHER D.8 x 4.3 x 0.8
100 0260010129CL	"LIP" ASSEMBLED MICRO COFFEE GROUP MOTOR SUPPORT



CAFFE EUROPA MULTIMEDIA

PRESSOBEAN BOILER SUPPORT FOR VERSION E6

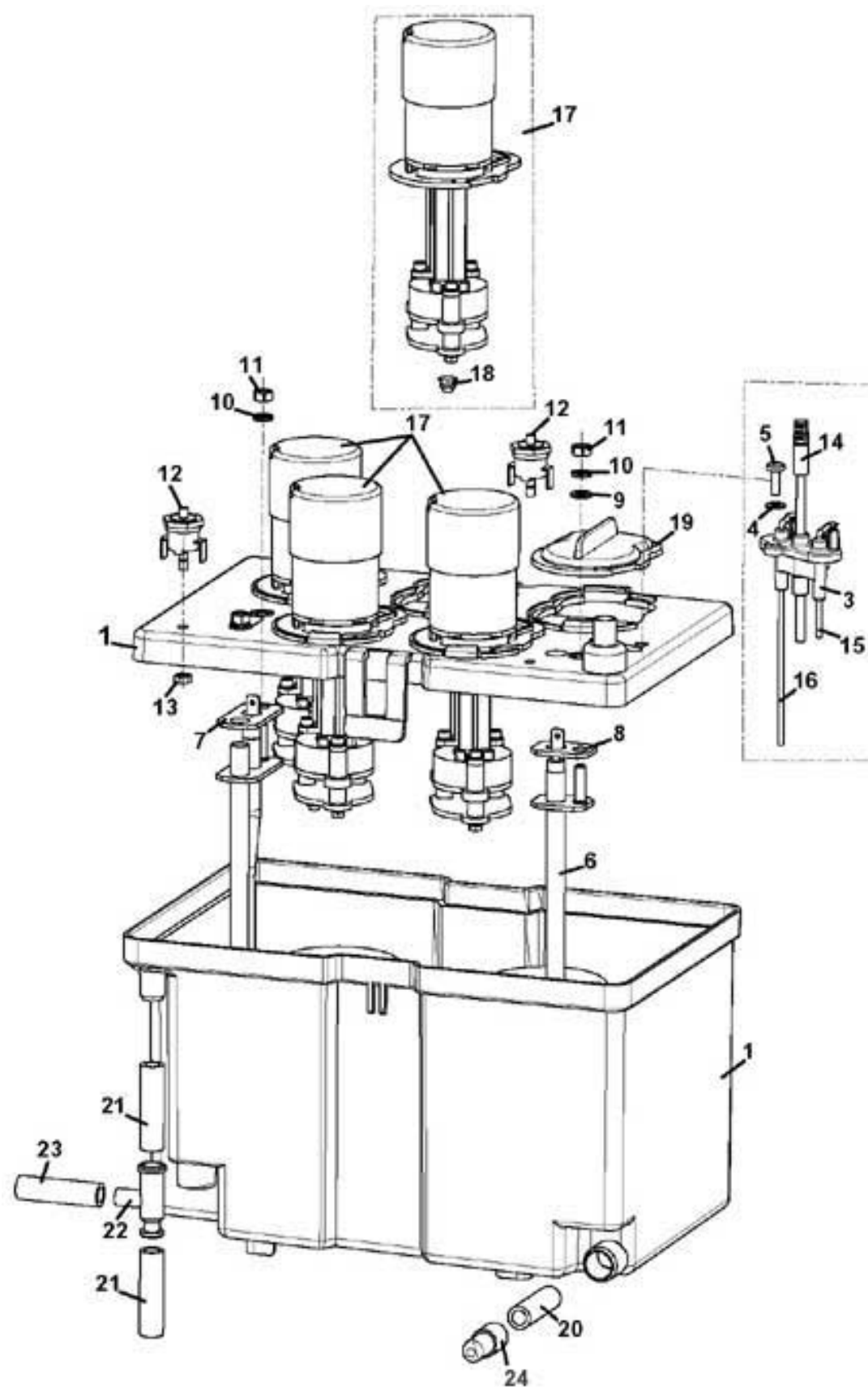
Pos. Code	Description
1 0070015136	E BOILER SUPPORT
2 VIT0002009	SCREW T.C.B. 3,5 x 6,5
3	See table MICRO GROUP BOILER
4 VIT0004504	M 4 NUT
5 VIT0003406	D.5.3 GROWER WASHER
6 0100001019	L FITTING D.6-1/8M CON.
7 TCU0000002	D.4x6 COPPER PIPE
8 0100003002	COPPER GASKET
9 0110006001	D.40 0-20 bar MANOMETER - 1(8' REAR CONN.
10 0070015138	E PUMP SUPPORT
11 0110004041	EX5 230V 50 HZ PUMP
12 0110004038	ELECTROMAGNET PUMP SUPPORT
13 VIT0002401	SCREW TCB 3.5 x 9.5
14 0100001085	M-F 1/8 ELBOW CONNECTION
15 0110002012R	1/8M INLET - 1/8F OUTLET NON-RETURN VALVE
16 ELE0000915	THERMIC PROTECTION
17 0110004060	BY PASS VALVE 80
18 TTEF04/06T	D.6*4 PIPE FOR FOODSTUFFS
19 TSIL06/11T	TRANSPARENT SILICONE PIPE
20 0100003015	TEE UNION
21 0070015141	VOLUME COUNTER SUPPORT
22 0110007003	VOLUME COUNTER W/RUBBERHOLDER
23 VIT0004701	M3 FR NUT
24 0070015139	EV SUPPORT
25 0110001072	24 DC 1/8 3-WAY VALVE ODE
26 0100001056	TURNING ELBOW 6-1/4 VITON OR
27 0100001017	STRAIGHT MALE CONNECTION D.6-1/8
28 0100001025	SO2600-6-1/8 ADJUSTABLE ELBOW
29 0100002005	STRENGTHENING BUSH D.4
30 0100002002	LOCKING RING D.6
31 0100001002	NUT FOR PIPE FITTING D.6



CAFFE EUROPA MULTIMEDIA

PRESSOBEAN BOILER SUPPORT FOR VERSION E7

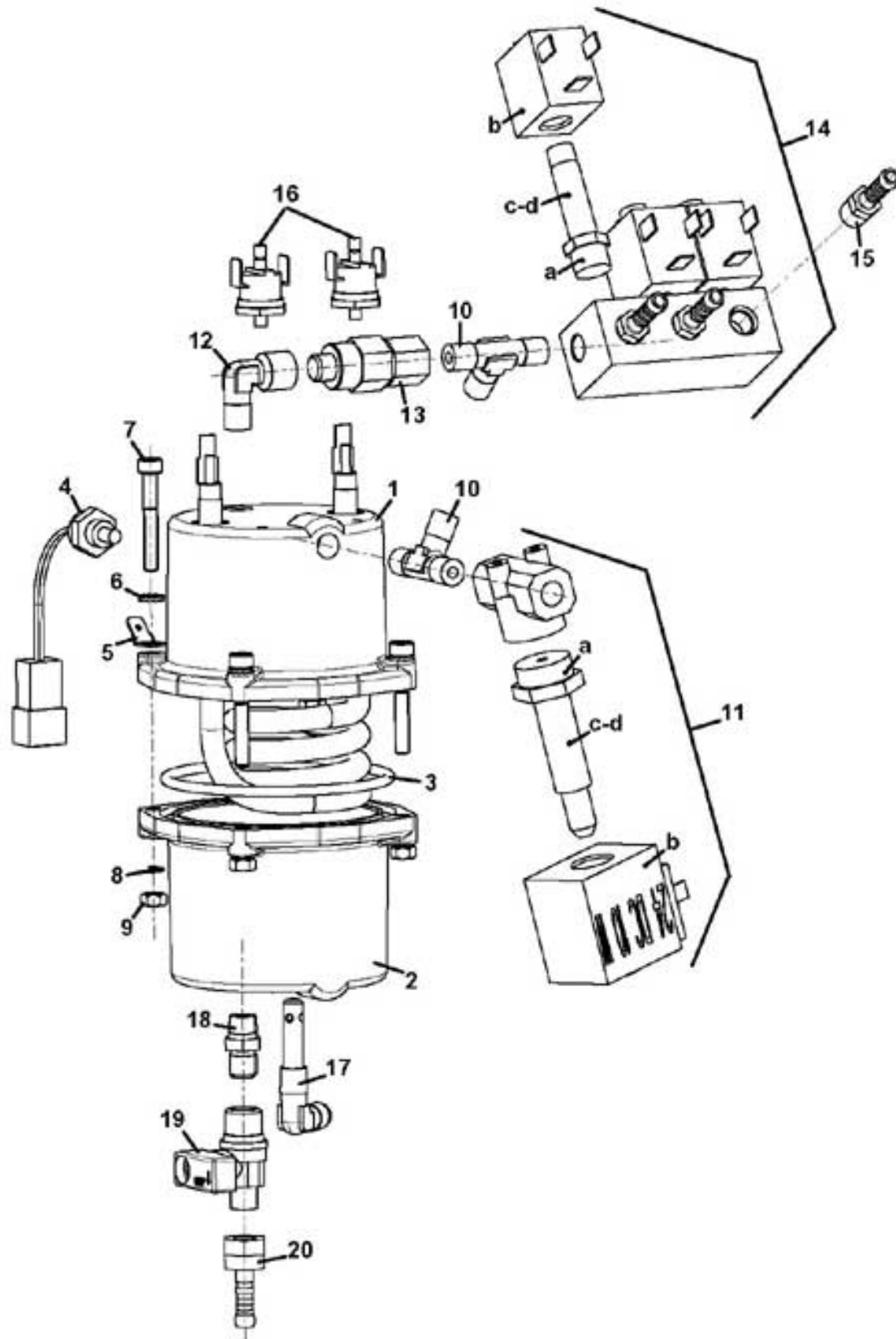
Pos. Code	Description
1 0070015414	BOILER SUPPORT
2	See table MICRO GROUP BOILER
3 0100001019	L FITTING D.6-1/8M CON.
4 TCU0000002	D.4x6 COPPER PIPE
5 0100001002	NUT FOR PIPE FITTING D.6
6 0100002002	LOCKING RING D.6
7 0100003002	COPPER GASKET
8 0110006001	D.40 0-20 bar MANOMETER - 1(8' REAR CONN.
9 0070015413	PUMP SUPPORT
10 0110004041	EX5 230V 50 HZ PUMP
11 0110004038	ELECTROMAGNET PUMP SUPPORT
12 VIT0002401	SCREW TCB 3.5 x 9.5
13 ELE0000915	THERMIC PROTECTION
14 0110004060	BY PASS VALVE 80
15 0110002012R	1/8M INLET - 1/8F OUTLET NON-RETURN VALVE
16 0100001085	M-F 1/8 ELBOW CONNECTION
17 TTEF04/06T	D.6*4 PIPE FOR FOODSTUFFS
18 0100003015	TEE UNION
19 TSIL06/11T	TRANSPARENT SILICONE PIPE
20 TSIL05/08T	TRANSPARENT SILICONE PIPE D.5 x 8
21 0070015417	VOLUME COUNTER SUPPORT
22 0110007003	VOLUME COUNTER W/RUBBERHOLDER
23 VIT0004701	M3 FR NUT
24 VIT0002009	SCREW T.C.B. 3,5 x 6,5
25 0070015415	VALVE SUPPORT
26 0110001072	24 DC 1/8 3-WAY VALVE ODE
27 0100001056	TURNING ELBOW 6-1/4 VITON OR
28 0100001019	L FITTING D.6-1/8M CON.
29 0100001025	SO2600-6-1/8 ADJUSTABLE ELBOW
30 TTEF04/06T	D.6*4 PIPE FOR FOODSTUFFS
31 0100002005	STRENGTHENING BUSH D.4



CAFFE EUROPA MULTIMEDIA

BOILER

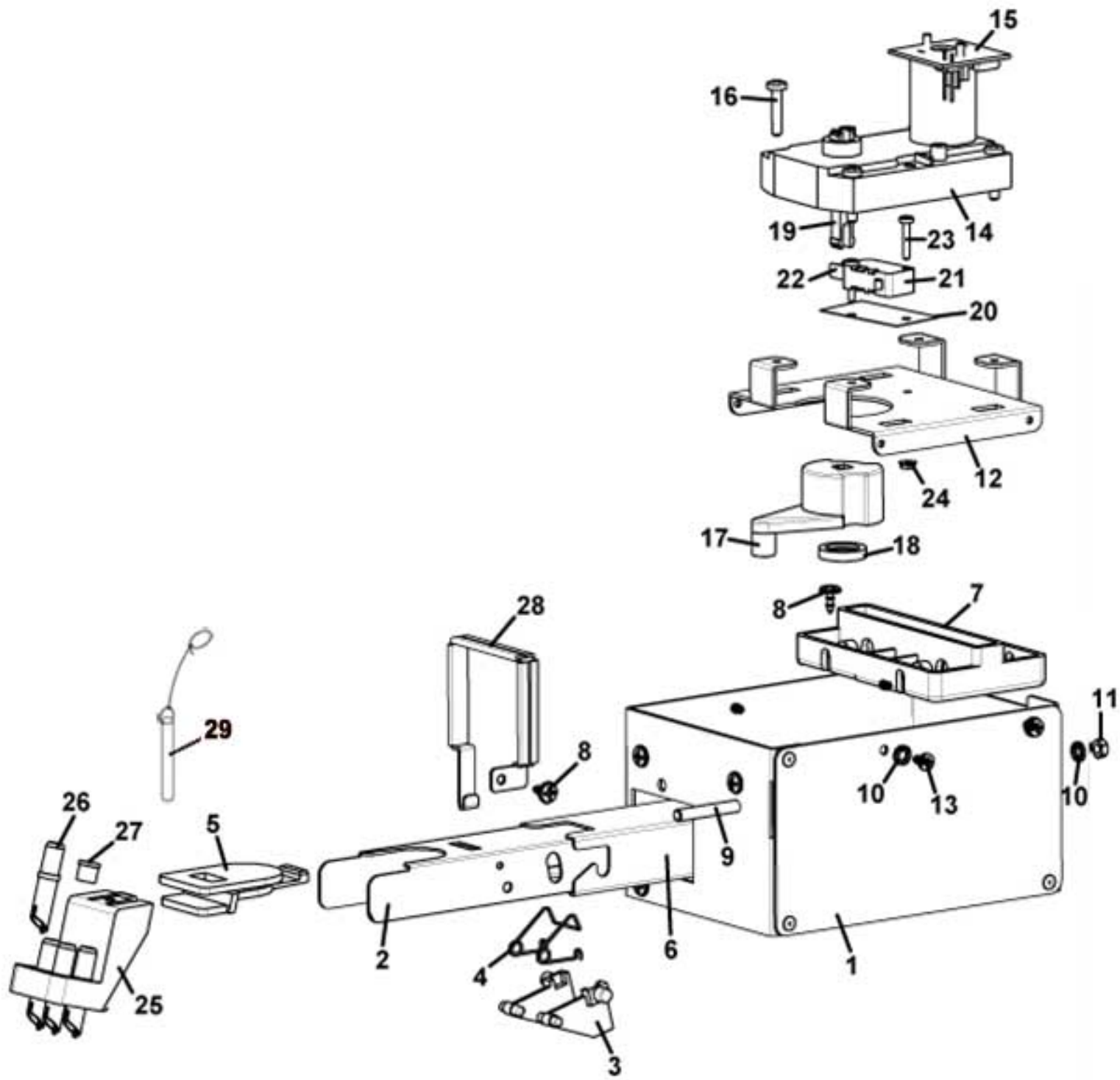
Pos. Code	Description
1 0600014111R	BOILER TANK+COVER 5 PUMPS
3 0600016089	TRANSPARENT PROBE SUPPORT
4 VIT0003211	STAINLESS STEEL FLAT WASHER D.4,3 x 9 x 0,8
5 VIT0001005	SCREW T.C.B. M 4 x 12
6 0600016138R	ASSEMBLED 1600W 230V HEATING ELEMENT WITH INTEGRATED THERMOFUSE
7 0600014113	BOILER HEATING ELEMENT GASKET (3 HOLES)
8 0600014114	BOILER HEATING ELEMENT GASKET (2 HOLES)
9 VIT0003203	STAINLESS STEEL FLAT WASHER D.5.3 x 10 x 1
10 VIT0003111	WASHER D.5,3
11 VIT0004804	STAINLESS STEEL NUT M5
12 ELE0000965	MANUAL RESET THERMOSTAT 88°C
13 VIT0004816	STAINLESS STEEL NUT M4
14 ELE0000978R	SOLUBLES PROBE mm 80
15 0600016054	MAX WATER LEVEL PROBE
16 0600016053	WATER PROBE
17 0600016405R	BOILER PUMP ASSEMBLY
18 0080100101	MIXER GASKET - SHAFT D.4
19 0600016422	COVER FOR HOLE PUMP
20 TSIL10/14T	TRANSPARENT SILICONE PIPE D.10 x 14
21 TSIL07/11T	TRANSPARENT SILICONE PIPE D.7 x 11
22 0600016028	"T" UNION
23 TSIL05/08T	TRANSPARENT SILICONE PIPE D.5 x 8
24 650001057	DISCHARGE PLUG
100 0600014100R3	4 PUMPS BOILER WITH INTEGRATED THEMOFUSE WITHOUT PIPES 230V
101 0600014101R3	3 PUMPS BOILER WITH INTEGRATED THEMOFUSE WITHOUT PIPES 230V



CAFFE EUROPA MULTIMEDIA

MICRO GROUP BOILER

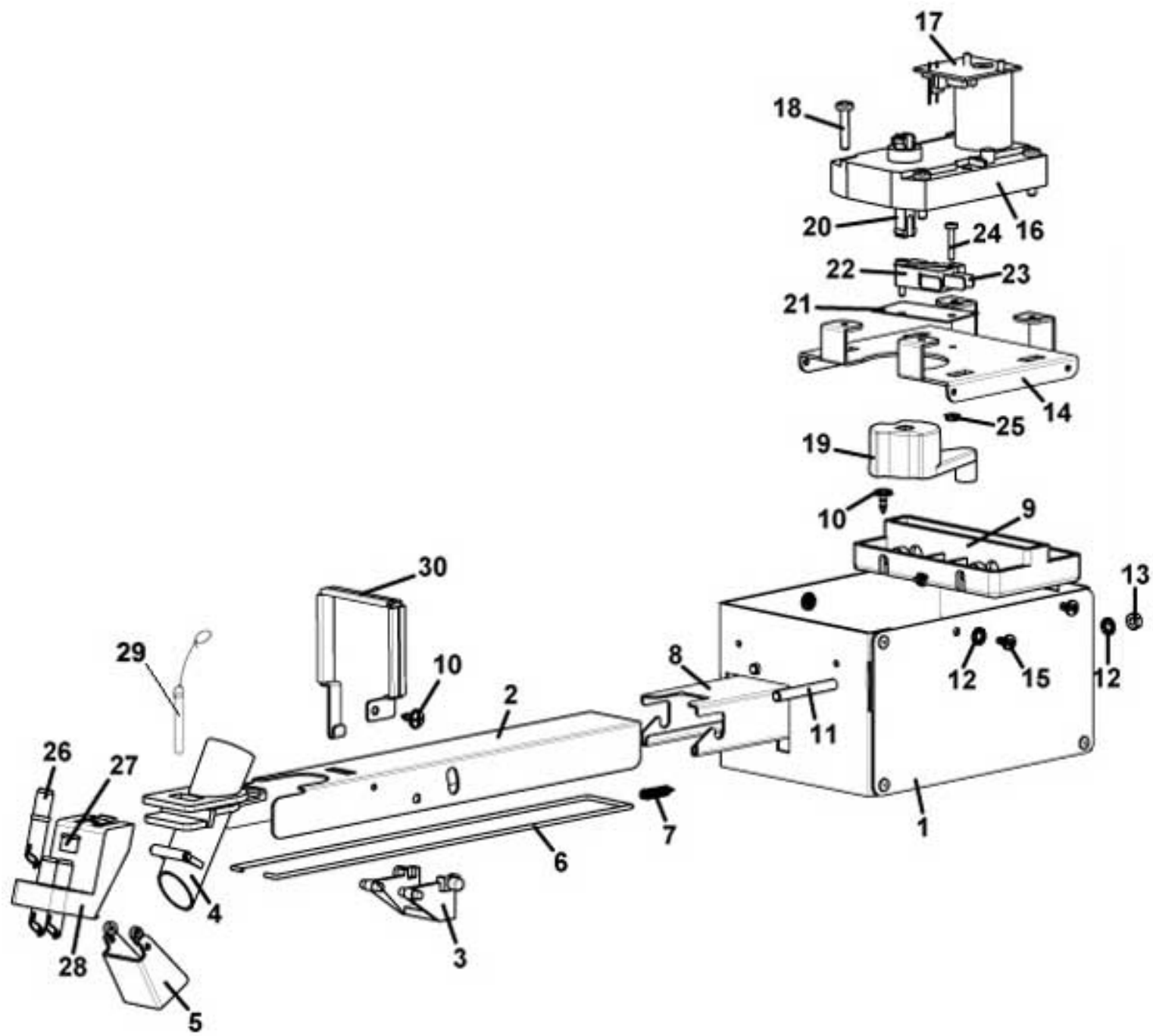
Pos. Code	Description
1 0600019102	UPPER BOILER CASING 230V
2 0600019103	LOWER BOILER CASING
3 GUA0000095	OR 4300 SILICONE
4 ELE0000975	ESPRESSO PROBE
5 0600019012	MASS BLOCK
6 VIT0003104	WASHER tab D. 5.1
7 VIT0000246	M5x30 TCEI SCREW
8 VIT0003406	D.5.3 GROWER WASHER
9 VIT0004504	M 4 NUT
10 0100001079	MALE T UNION 6-1/8
11 0110001112	EV 3 WAY F-F 1/8 24V DC OLAB
11/a 0110010142	VALVE SLEEVE
11/b 0110010141	COIL FOR EV
11/c 0110010144	MOBILE CORE FOR EV
11/d 0110010146	CONIC SPRING FOR EV
12 0100001085	M-F 1/8 ELBOW CONNECTION
13 0110002012R	1/8M INLET - 1/8F OUTLET NON-RETURN VALVE
14 0110001117	SOLENOID 3WAYS W/BLOCK 3EV
14/a 0110010138	VALVE SLEEVE OLAB (D.13,9+WHITE OR)
14/a 0110010148	VALVE SLEEVE OLAB (D.14,9+GREEN OR)
14/b 0110010135	COIL FOR EV OLAB
14/c 0110010136	MOBILE CORE + SPRING FOR EV OLAB
14/d 0110010139	CONIC SPRING OLAB
15 0100001082	RUBBER HOLDER DIR. D.7 1/8
16 ELE0000976	MANUAL RESET THERMOSTAT 120°C
17 0600019115	INOX ELBOW CONNECTION
18 0100001017	STRAIGHT MALE CONNECTION D.6-1/8
19 0600019017	COCK M/F 1/8
20 0100001090	FEMALE RUBBER HOLDER DIR. D.7 1/8
100 0600019303CL	ESPRESSO BOILER FOR MICRO GROUP



CAFFE EUROPA MULTIMEDIA

DISTRIBUTION PIPES MOVEMENT

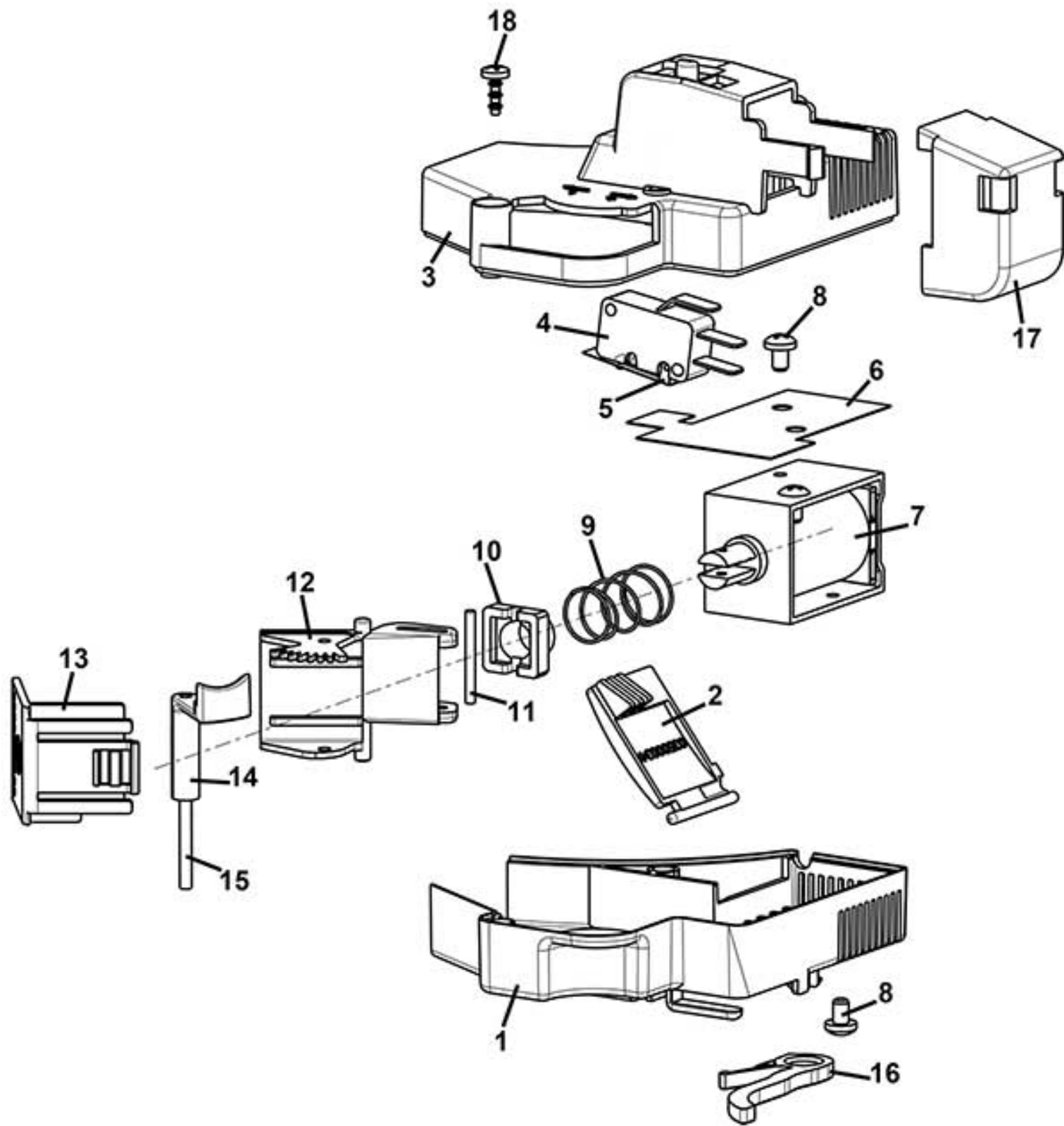
Pos. Code	Description
1 0380010805	MOVABLE PIPES MOVEMENT HOUSING
2 0380010616	PRODUCT PIPES SUPPORT ESTRAIBILE
3 0380010599	KEY PIPES MOVEMENT
4 0380010629	KEY PIPES MOVEMENT
5 0380010459NA	PRODUCT PIPES SUPPORT PLATE (BLACK)
6 0380010683	PRODUCTS PIPES SUPPORT GUIDE
7 0380010692	PIPES SUPPORT GUIDE
8 VIT0002401	SCREW TCB 3,5 x 9,5
9 0380010808	PIPES SUPPORT GUIDE SHAFT
10 VIT0003103	WASHER tab D. 4.3
11 VIT0004503	NUT M 4
12 0380010693	GEAR MOTOR SUPPORT
13 VIT0002009	SCREW T.C.B. 3,5 x 6,5
14 0090002114R1	24V DC 11 RPM GEAR MOTOR W/FILTER
15 SCH0003740	DC MOTORS FILTER
16 VIT0000035	M 4 x 20 TCB SCREW
17 0380010694	MOVABLE PIPES CAM
18 0380010831	BUSH 20x4
19 0380010421	GEAR MOTOR SHAFT
20 7500902054	SUPPLEMENTARY INSULATION
21 ELE0001528	MICRO 83.161.832
22 ELE0001906	161 E R 24.1 MICRO LEVER
23 VIT0000006	M 3x16 TCB SCREW
24 VIT0004701	M3 FR NUT
25 0380010655NA	PIPES PRODUCT SUPPORT (BLACK)
26 0380010657NA	DISPENSER PIPE (BLACK)
27 0380010656NA	PLUG (BLACK)
28 0380010709	HOSE CLAMP
29 0380010429CL	SECURING PIN ASSEMBLY
100 0380010800R	MOVABLE PIPES MOVEMENT ASSEMBLY "H" FROM POS.1 TO POS. 24



CAFFE EUROPA MULTIMEDIA

DISTRIBUTION PIPES MOVEMENT

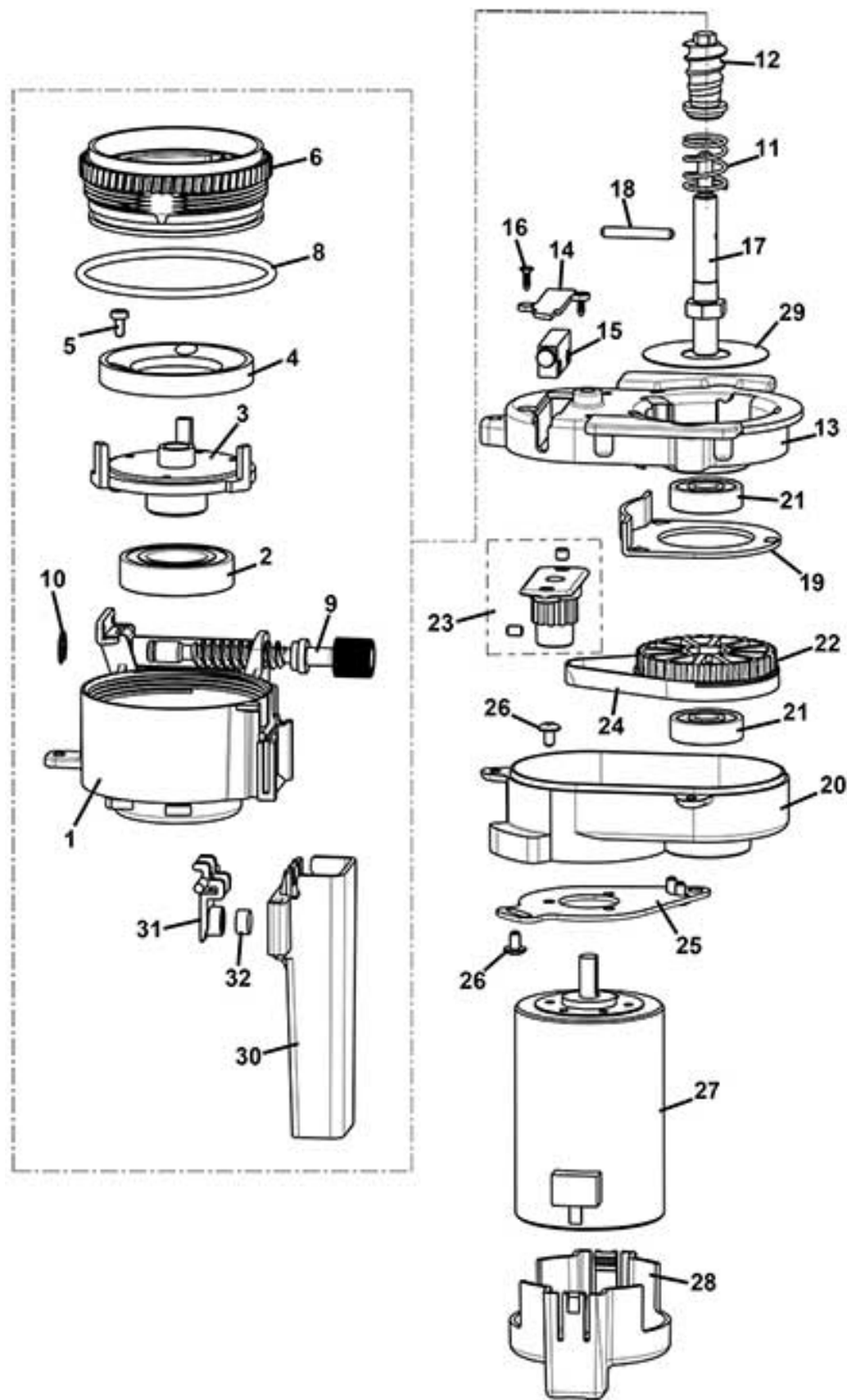
Pos. Code	Description
1 0380010805	MOVABLE PIPES MOVEMENT HOUSING
2 0380010815	PRODUCT PIPES SUPPORT
3 0380010599	KEY PIPES MOVEMENT
4 0380010423NA	SUGAR CHUTE (BLACK)
5 0380010424NA	MOBILE WALL (BLACK)
6 0380010813	WALL OPENING/CLOSING CONNECTION
7 0380010431	MOBILE WALL SPRING
8 0380010683	PRODUCTS PIPES SUPPORT GUIDE
9 0380010692	PIPES SUPPORT GUIDE
10 VIT0002401	SCREW TCB 3.5 x 9.5
11 0380010808	PIPES SUPPORT GUIDE SHAFT
12 VIT0003103	WASHER tab D. 4.3
13 VIT0004503	NUT M 4
14 0380010693	GEAR MOTOR SUPPORT
15 VIT0002009	SCREW T.C.B. 3,5 x 6,5
16 0090002114R1	24V DC 11 RPM GEAR MOTOR W/FILTER
17 SCH0003740	DC MOTORS FILTER
18 VIT0000035	M 4 x 20 TCB SCREW
19 0380010694	MOVABLE PIPES CAM
20 0380010421	GEAR MOTOR SHAFT
21 7500902054	SUPPLEMENTARY INSULATION
22 ELE0001528	MICRO 83.161.832
23 ELE0001906	161 E R 24.1 MICRO LEVER
24 VIT0000006	M 3x16 TCB SCREW
25 VIT0004701	M3 FR NUT
26 0380010657NA	DISPENSER PIPE (BLACK)
27 0380010656NA	PLUG (BLACK)
28 0380010655NA	PIPES PRODUCT SUPPORT (BLACK)
29 0380010429CL	SECURING PIN ASSEMBLY
30 0380010881	HOSES CLAMP
100 0380010801R	ESPRESSO PIPES MOVEMENT ASSEMBLED FROM POS.1 TO POS. 25



CAFFE EUROPA MULTIMEDIA

PLASTIC BATCHER WITH SETTING

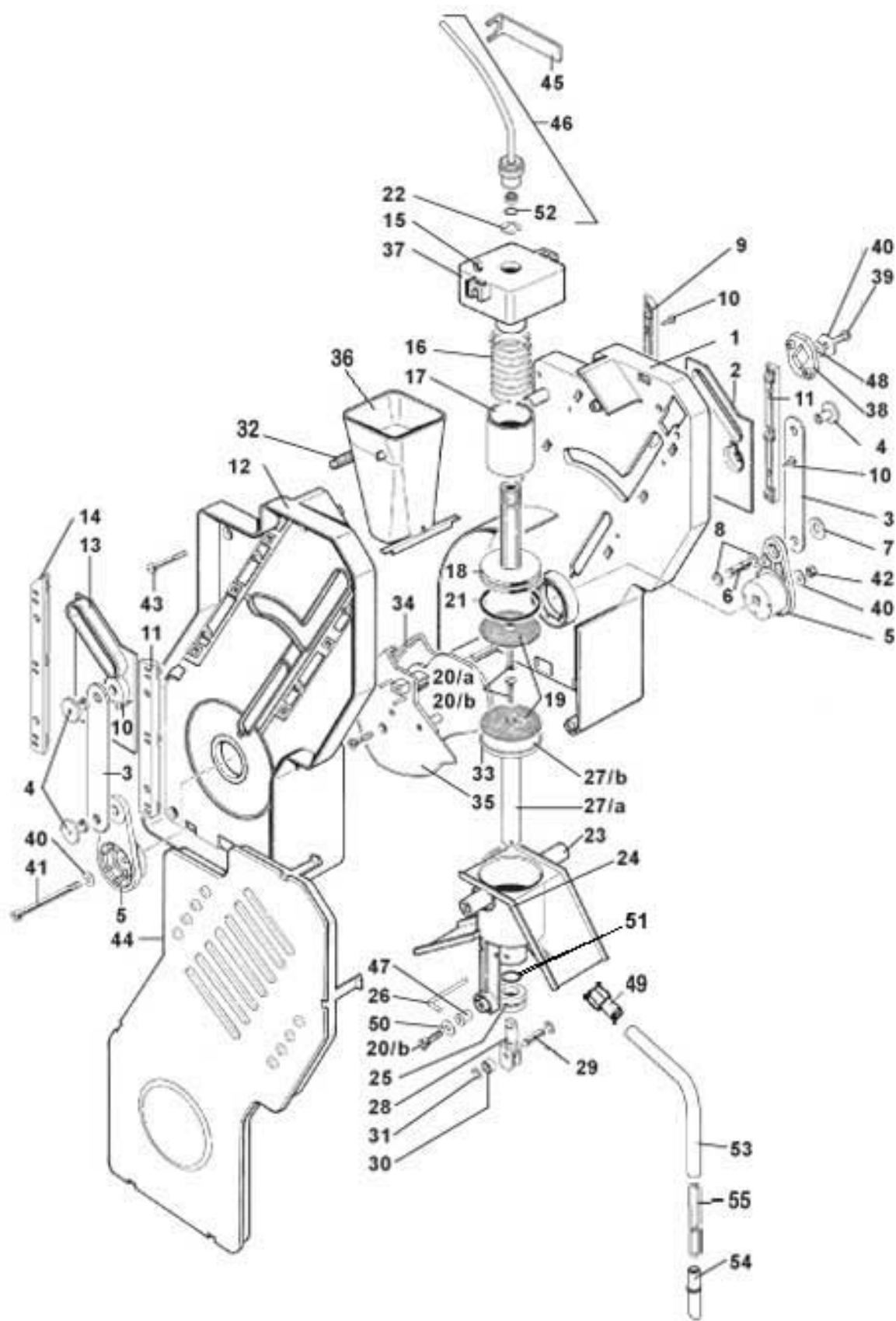
Pos. Code	Description
1 0350003406AH	LOWER COVER (WHITE RAL 9003)
2 0350003411AH	TAB (WHITE RAL 9003)
3 0350003407AH	UPPER COVER (WHITE RAL 9003)
4 ELE0001522	1-WAY 16 A 250 V MICROSWITCH
5 ELE0001906	161 E R 24.1 MICRO LEVER
6 0350003419	MICRO PROTECTION
7 ELE0000063	EM PR3 8% 24V DC WITH CABLES
8 VIT0000021	M 4x6 TCB SCREW
9 0350003412	BATCHER SPRING
10 0350003417AH	FLANGE SPRING (WHITE RAL 9003)
11 VIT0005212	2.5 x 24 CYLINDRICAL PIN
12 0350003408AH	BALANCING (WHITE RAL 9003)
13 0350003409AH	REGULATION (WHITE RAL 9003)
14 0350003414AH	REGULATION LEVER (WHITE RAL 9003)
15 VIT0005219	3 x 30 CYLINDRICAL PIN
16 0350003416AH	LEVER RELEASE BATCHER (WHITE RAL 9003)
17 0350003415AH	MICRO CABLES PROTECTION (WHITE RAL 9003)
18 VIT0002469	SCREW TC 3.5 x 10
100 0350003400CL	5,5/12GR 24VDC COFFEE PLASTIC BATCHER 9gr



CAFFE EUROPA MULTIMEDIA

VERTICAL MILL GROUPS

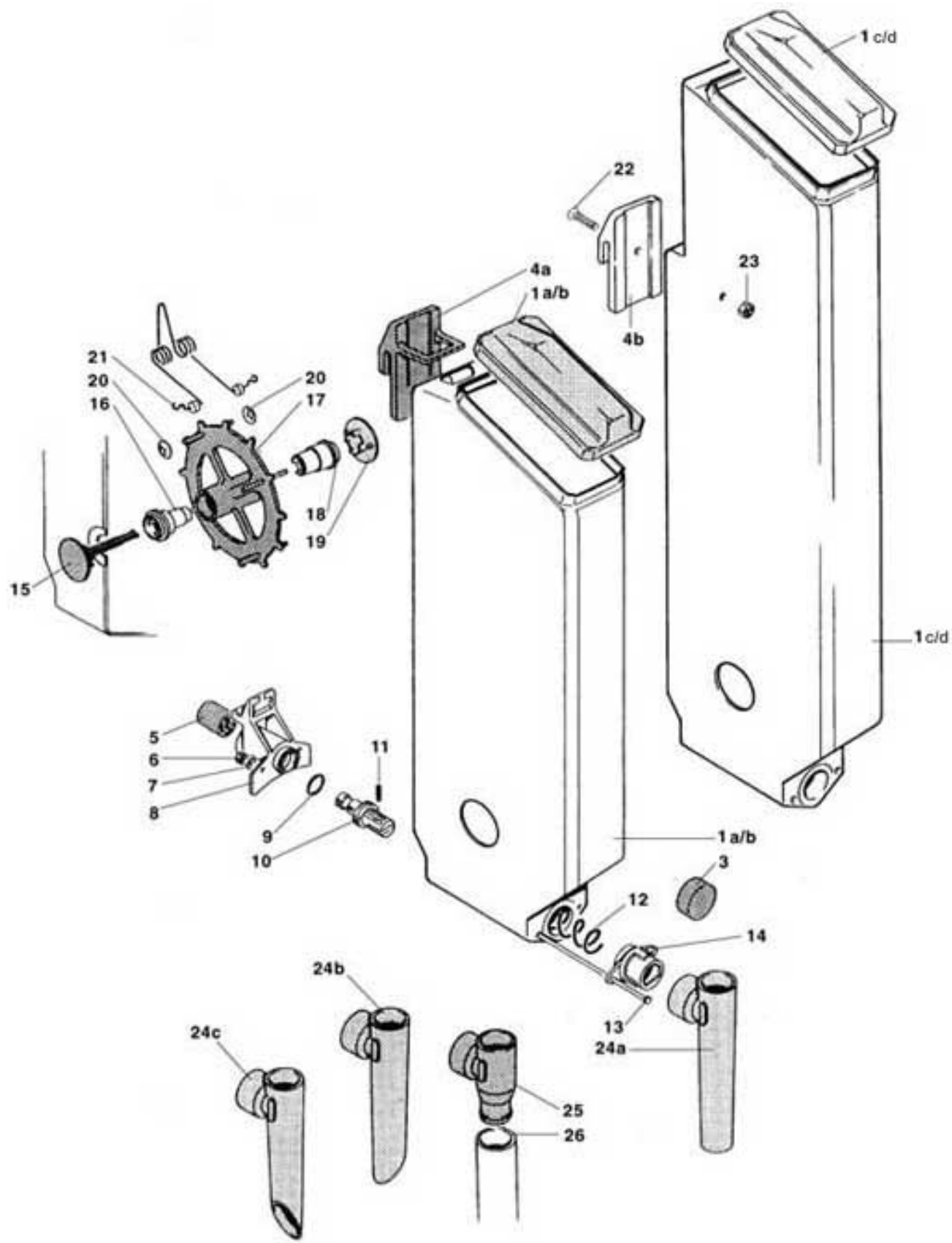
Pos. Code	Description
1 0320001525AH	MILLS SUPPORT WITH REGULATION (WHITE RAL 9003)
2 VIT0009315	SKF 6005-2RS1 BEARING
3 0320001536	WORKED LOWER MILL SUPPORT
4 0090003004	53/S GRINDER COUPLE
5 VIT0000024	M 4x8 TCB SCREW
6 0320001515AH	RING GEAR FOR REGULATION (WHITE RAL 9003)
8 GUA0000101	SILICONE 3262 OR
9 0320001514AH	REGULATION SCREW (WHITE RAL 9003)
10 VIT0006506	D.7 RADIAL STOP RING
11 0320001558	CONTRAST SPRING FOR LOWER BODY GRINDER
12 0320001538	LOWER MILL BODY STOPPER
13 0320001513AH	UPPER CARTER (WHITE RAL 9003)
14 0320001521AH	SENSOR COVER (WHITE RAL 9003)
15 ELT0030671	MAGNETIC SENSOR
16 VIT0002107	2,9x6,5 TAPPING TSP SCREW
17 0320001512	TRANSMISSION SHAFT
18 VIT0005101	3 x 16 SPIROL PIN
19 0320001524AH	COVER (WHITE RAL 9003)
20 0320001506AH	LOWER CARTER (WHITE RAL 9003)
21 VIT0009314	BEARING
22 0320001531AH	HEXAGONAL SHAFT PLACE PULLEY (WHITE RAL 9003)
23/a 0320001537CLR	PULLEY+MAGNETS POS.SUOTH ASS.Y BUY IF THE POS.13 HAVE THE LATERAL HOLLOW LOWER THAN 1CM
23/b 0320001537CLR1	PULLEY+MAGNETS POS.NORTH ASS.Y BUY IF THE POS.13 HAVE THE LATERAL HOLLOW UPPER THAN 1CM
24 0090006006	TOOTHED BELT
25 0320001522	MOTOR SUPPORT FLANGE
26 VIT0000030	SCREW TCB M4 x 7
27 0090003045	MILL 220 V DC MOTOR CL.F BL
28 0320001519AH	MILL CONTACTS PROTECTION (WHITE RAL 9003)
29 0320001555	GRINDER SPACER RING
30 0250010291IC	LONG COFFEE FEEDER (ORANGE RAL 2011)
31 0250010292IC	COUNTERWEIGHT SUPPORT (ORANGE RAL 2011)
32 0250010303	COFFEE CHUTE WEIGHT
100 0320001508CL	VERTICAL MILL WITH BELT FROM POS. 1 TO POS. 29 EXCLUDED POS. 15+23/A AND 23/B
101 0320001509CL	VERTICAL MILL WITH BELT AND SENSOR FROM POS.1 TO POS. 29



CAFFE EUROPA MULTIMEDIA

MICRO COFFEE GROUP

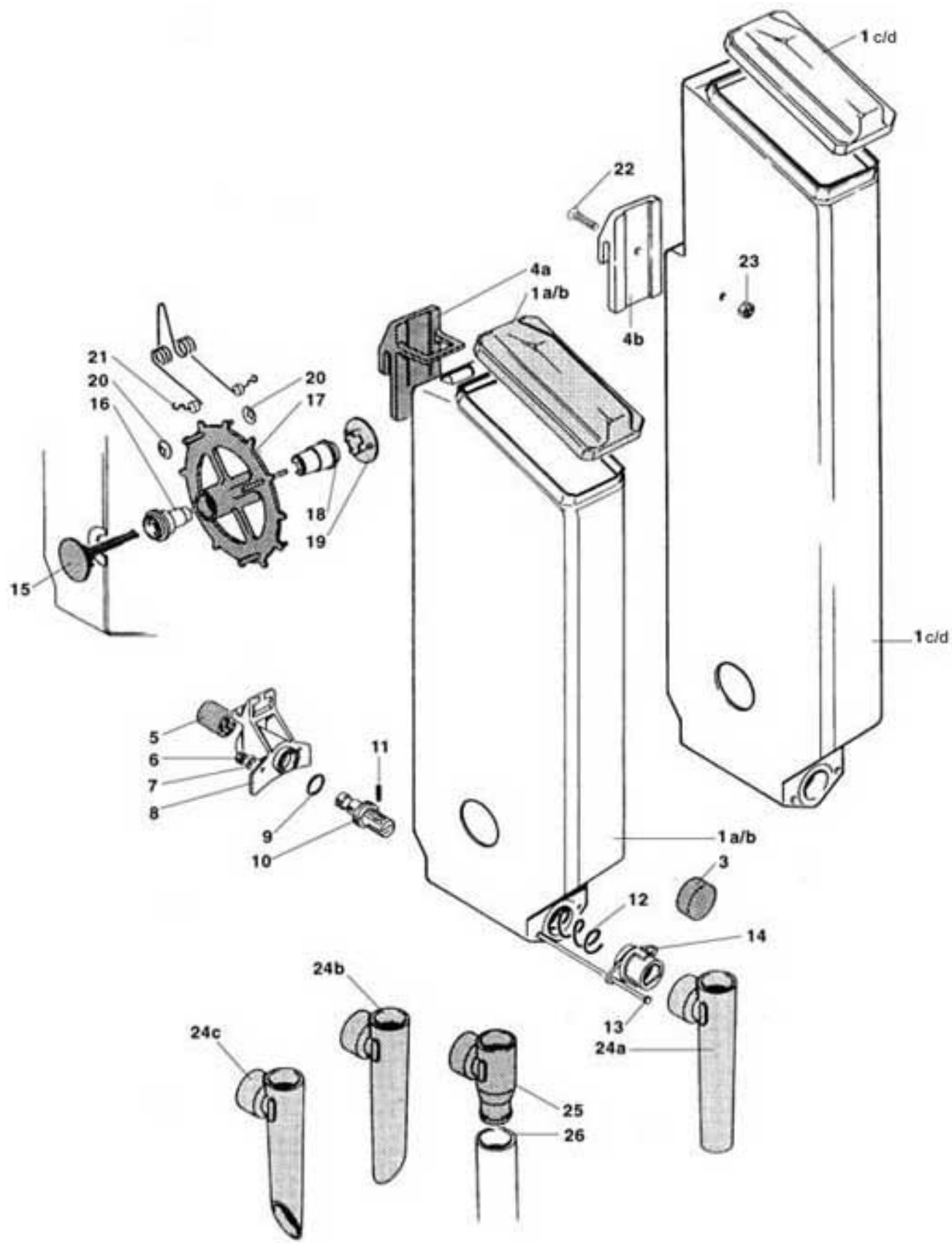
Pos. Code	Description
1 0250008005	R.H. FRAME It's part of kit 0250008005R
2 0250008084	R.H. INFUSION CHAMBER CAM
3 0250008009	CONNECTING ROD
4 0250008028	PIN FOR CONNECTING ROD
5 0250008011	R.H. CRANK
6 0250008014	MOTOR CRANK PIN
7 0250008042	ANTIVIBRATION WASHER
8 VIT0006515	D.5 RADIAL STOP RING
9 0250008031	R.H. REAR GUIDE
10 VIT0002026	3.5x 6.5 STAINLESS STEEL TAPPING TCB SCREW
11 0250008033	FRONT GUIDE
12 0250008129	L.H. FRAME WORKED
13 0250008085	L.H. INFUSION CHAMBER CAM
14 0250008032	L.H. REAR GUIDE
15 0250008086	UPPER FILTER SUPPORT
16 0250008024	UPPER FILTER SPRING
17 0250008087	SPRING COVER PIPE
18 0250008208IC	D.40 UPPER FILTER ORANGE RAL 2011
19 0250008211	FILTER D.40
20/a VIT0001202	M 3x14 TSP SCREW
20/b VIT0000121	M 3x8 TSP SCREW
21 GUA0000097	SILICONE 4131 OR
22 VIT0006513	D.8 STAINLESS STEEL INSIDE SEEGER
23 0250008206R	INFUSION CHAMBER D.40
24 GUA0000065	SILICONE OR 112
25 0250008053	LOWER INLET CUP BUSH
26 0250008029	GLASS BUSH PIN
27/a 0250008108	FILTER SUPPORT SHFT
27/b 0250008209IC	LOWER FILTER D.40 ORANDE RAL 2011
28 0250008106	LOWER FILTER ROLL SUPPORT
29 0250008021	ROLL SHAFT
30 0250008022	ROLL SHAFT
31 VIT0006516	D.3.2 RADIAL STOP RING
32 0250008119	SPRING
33 0250008083	FILTER EJECTION CAM
34 0250008016	R.H. FILTER RECOVERY CAM
35 0250008017	L.H. FILTER RECOVERY CAM
36 0250008036	COFFEE CONE
37 VIT0004803	STAINLESS STEEL NUT M4
38 0250008035	SETTING PLATE
39 VIT0000032	M 4x8 INOX TCB SCREW
40 VIT0003309	4.3x16x1.5 STAINLESS STEEL FLAT WASHER
41 VIT0005523	4x60 STAINLESS STEEL TCET SCREW
42 VIT0004810	M 4 SELFLOCKING NUT
43 VIT0002461	SCREW TCCRT 4.2 x 26
44 0250008039IC	L.H. FRAME COVER ORANGE RAL 2011
45 0250008048	KEY FOR NUT
46 0250008192CL	WATER INLET PIPER ASSEMBLY
47 VIT0009203	M 3 CONNECTION FOR THERMOPLASTIC
48 VIT0003451	GROWER SPRING WASHER
49/a 0250008128	D.6 FEMALE RUBBERHOLDE CONNECTION
49/b 0250008132	D.5 FEMALE RUBBERHOLDE CONNECTION
50 0250008088	WASHER FOR CHAMBER CAM
51 GUA0000065	SILICONE OR 112
52 GUA0000069	2015 OR
53/a TSIL06/091	TRANSPARENT SILICONE PIPE D.6 x 9 FOR POS. 49/A
53/b TSIL04/061	D.4x6 NATURAL TRANSPARENT SILICONE PIPE FOR POS. 49/B
54 0380010657NA	DISPENSER PIPE (BLACK)
55 TNAY000001	D.6*4 POLYAMIDE PIPE
100 0250008250CL1	INVERTED MICRO COFFEE GROUP D.40
101 0250008209R	D.40 LOWER FILTER ASSEMBLY POS.19+20/B+27/A+27/B
102 0250008128R	COFFEE OUTLET PIPE D.4 (POS.49/B+53+54)
103 0250008132R	COFFEE OUTLET PIPE D.2.5 (POS.49/B+53+54+55)



CAFFE EUROPA MULTIMEDIA

PRODUCT CONTAINERS "H"

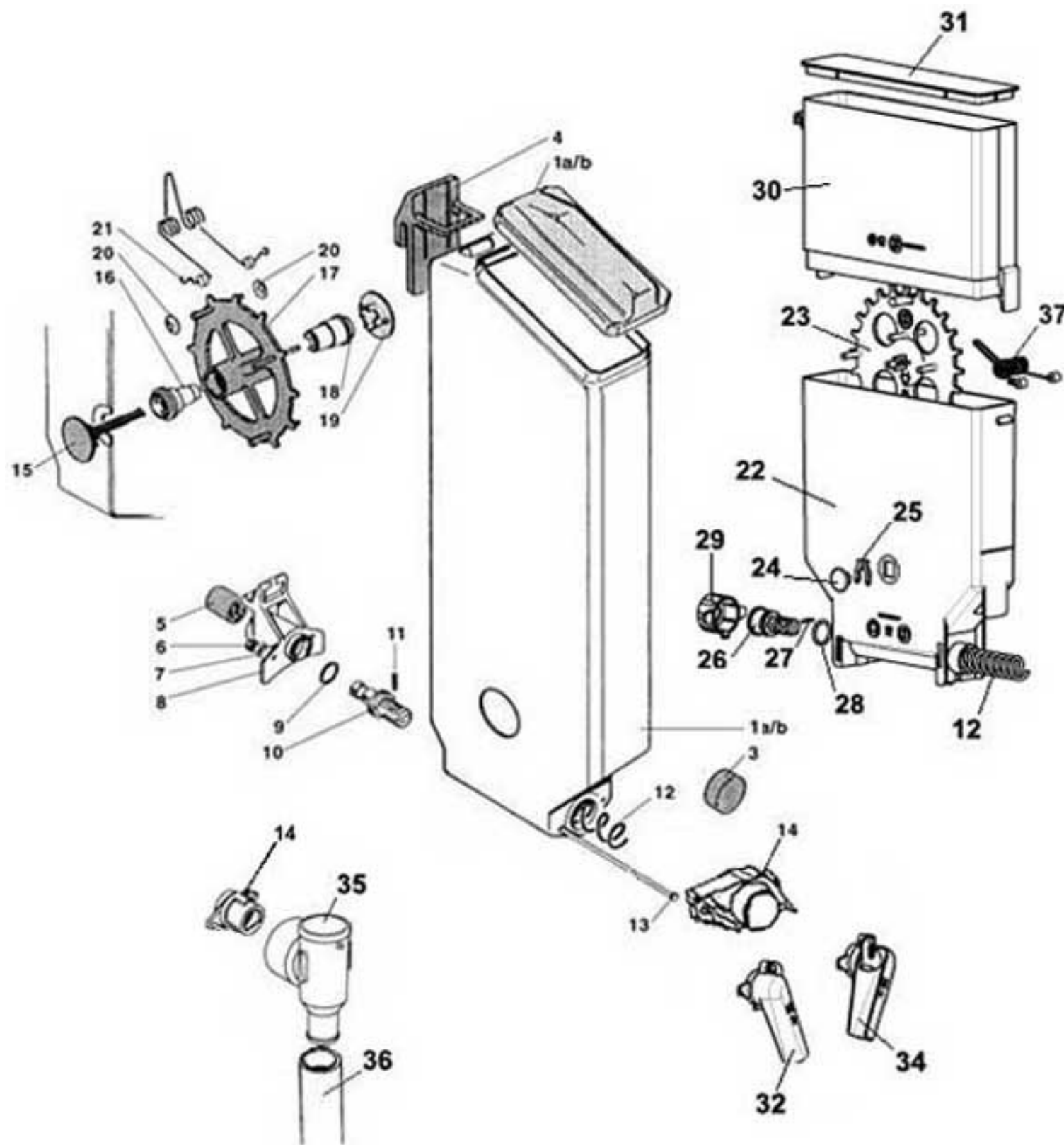
Pos. Code	Description	
1/a 70003001AR	PRD. CON. W/HOLES+COVER	
1/b 70003001BR	PRD. CON. W/O HOLES+COVER	
1/c 0230008003AR	PRD. CON.H650 W/HOLES+COVER	
1/d 0230008003BR	PRD. CON.H650 W/O HOLES+COVER	
3 4002050109		
4/a 70003003	UPPER HOOKING PLATE	
4/b 0230012018	UPPER PLATE	
5 0230012012	DRIVING RING GEAR SQUARE SEAT	
6 VIT0004803	STAINLESS STEEL NUT M4	
7 VIT0003202	STAINLESS STEEL FLAT WASHER D.4,3 x 9 x 0,8	
8 70003006	REAR SUPPORTING BUSH	
9 GUA0000015	GASKET 119	
10 0230012006	WORM SCREW WITH FLANGE	
11 VIT0005301	ELASTIC PIN D.2 x 14	
12/a 70003016	P.18 WORM SCREW SPRING	
12/b 0230024009	WORM SCREW SPRING P.9	
13 70003010	BUSH TIE-BOLT	
14/a 70003008	FRONT BUSH	
14/b 70003007	FRONT BUSH	
15 70003028	STOP PIN	
16 70003027	MIXER MALE BUSH	
17 70003012	PLASTIC MIXER GEAR	
18 70003026	MIXER FEMALE BUSH	
19 70003029	STOP DISK	
20 VIT0007102	BENZING-QUICKLOCK	
21 11837	MIXER	
22 VIT0001205	M 4x12 TSP SCREW	
23 VIT0004810	M 4 SELFLOCKING NUT	
24/a_1 0230030303R3	FRONTAL ORANGE SPECIAL FEEDER ASSEMBLED	
24/b_1 0230030304R3	RIGHT ORANGE SPECIAL FEEDER ASSEMBLED	
24/c_1 0230030305R3	LEFT ORANGE SPECIAL FEEDER ASSEMBLED	
24/a_2 4001003072/20R1	FRONTAL WHITE FEEDER ASSEMBLED	
24/b_2 4001003072/21R1	RIGHT WHITE FEEDER ASSEMBLED	
24/c_2 4001003072/22R1	LEFT WHITE FEEDER ASSEMBLED	
25 0230016024	SUGAR FEEDER	
26 TSIL15/19T	D.15X19 NATURAL TRANSPARENT SILICONE PIPE	
100 0230017007CL	PRODUCT CONTAINER PLATIC WHEEL P.9 ASS.	assieme
101 0230016006CL	WORM SCREW P.9 PRODUCT CONTAIN	
102 0230018009CL		
103 0230019005CL		
104 0230019006R	TEA PRODUCT CONTAINER PLATIC WHEEL P.18 ASSEM.	assieme
105 0230017008CL	PRODUCT CONTAINER PLATIC WHEEL P.18 ASSEM.	assieme



CAFFE EUROPA MULTIMEDIA

PRODUCT CONTAINERS (VERSION E6)

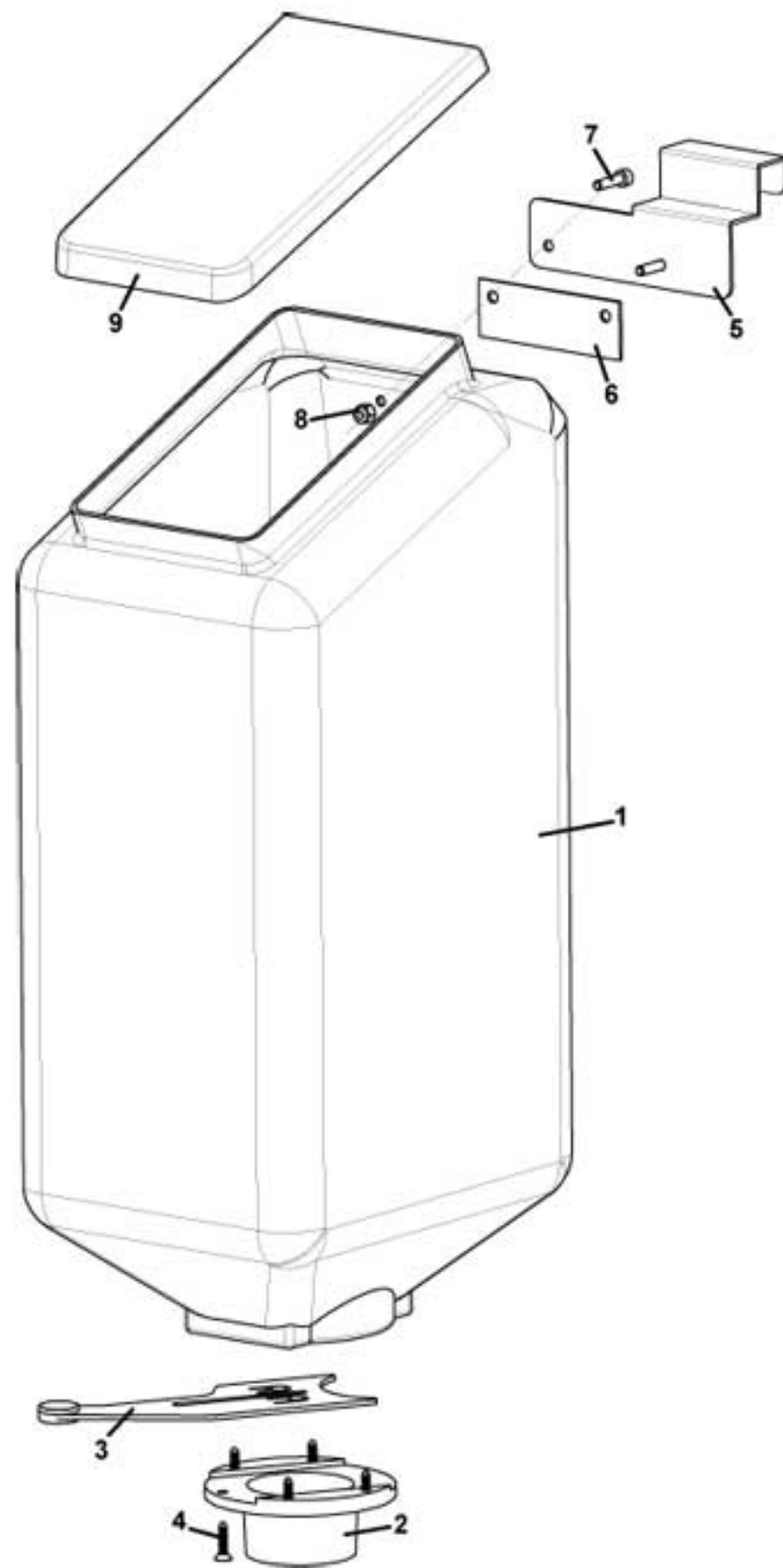
Pos. Code	Description	
1/a	70003001AR	PRD. CON. W/HOLES+COVER
1/b	70003001BR	PRD. CON. W/O HOLES+COVER
1/c	0230008003AR	PRD. CON.H650 W/HOLES+COVER
1/d	0230008003BR	PRD. CON.H650 W/O HOLES+COVER
3	4002050109	
4/a	70003003	UPPER HOOKING PLATE
4/b	0230012018	UPPER PLATE
5	0230012012	DRIVING RING GEAR SQUARE SEAT
6	VIT0004803	STAINLESS STEEL NUT M4
7	VIT0003202	STAINLESS STEEL FLAT WASHER D.4,3 x 9 x 0,8
8	70003006	REAR SUPPORTING BUSH
9	GUA0000015	GASKET 119
10	0230012006	WORM SCREW WITH FLANGE
11	VIT0005301	ELASTIC PIN D.2 x 14
12/a	70003016	P.18 WORM SCREW SPRING
12/b	0230024009	WORM SCREW SPRING P.9
13	70003010	BUSH TIE-BOLT
14/a	70003008	FRONT BUSH
14/b	70003007	FRONT BUSH
15	70003028	STOP PIN
16	70003027	MIXER MALE BUSH
17	70003012	PLASTIC MIXER GEAR
18	70003026	MIXER FEMALE BUSH
19	70003029	STOP DISK
20	VIT0007102	BENZING-QUICKLOCK
21	11837	MIXER
22	VIT0001205	M 4x12 TSP SCREW
23	VIT0004810	M 4 SELFLOCKING NUT
24/a	4001003072/20R1	FRONTAL WHITE FEEDER ASSEMBLED
24/b	4001003072/22R1	LEFT WHITE FEEDER ASSEMBLED
24/c	4001003072/21R1	RIGHT WHITE FEEDER ASSEMBLED
25	0230016024	SUGAR FEEDER
26	TSIL15/19T	D.15X19 NATURAL TRANSPARENT SILICONE PIPE
100	0230017007CL	PRODUCT CONTAINER PLATIC WHEEL P.9 ASS. assieme
101	0230016006CL	WORM SCREW P.9 PRODUCT CONTAIN
102	0230018009CL	
103	0230019005CL	
104	0230017008CL	PRODUCT CONTAINER PLATIC WHEEL P.18 ASSEM. assieme



CAFFE EUROPA MULTIMEDIA

PRODUCT CONTAINERS (VERSION E7)

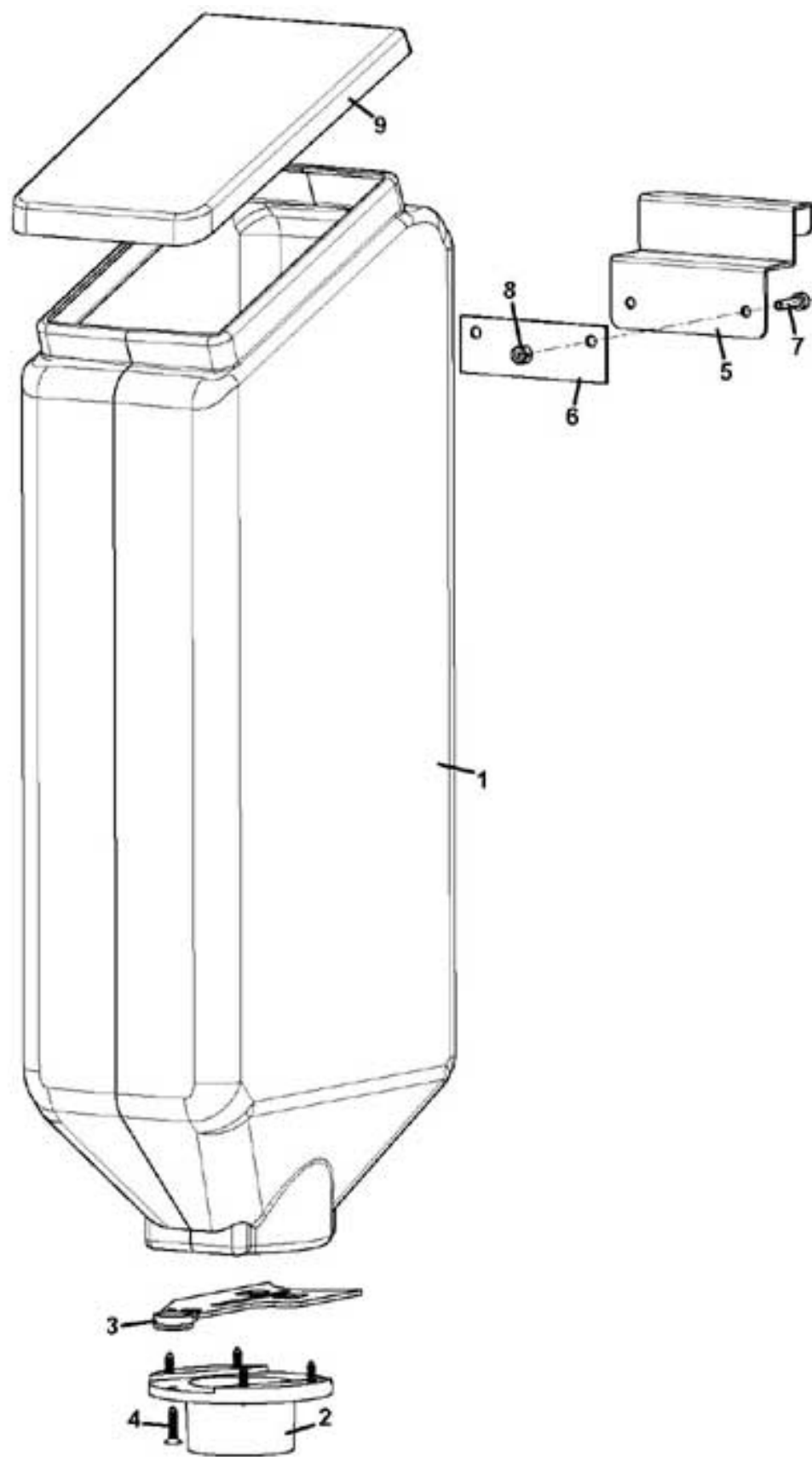
Pos. Code	Description
1/a	70003001AR PRD. CON. W/HOLES+COVER
1/b	70003001BR PRD. CON. W/O HOLES+COVER
3	70003061 SUGAR CHUTE PLUG (OPEN/CLOSED)
4	70003003 UPPER HOOKING PLATE
5	0230012012 DRIVING RING GEAR SQUARE SEAT
6	VIT0004803 STAINLESS STEEL NUT M4
7	VIT0003202 STAINLESS STEEL FLAT WASHER D.4,3 x 9 x 0,8
8	70003006 REAR SUPPORTING BUSH
9	GUA0000015 GASKET 119
10	0230012006 WORM SCREW WITH FLANGE
11	VIT0005301 ELASTIC PIN D.2 x 14
12/a	70003016 P.18 WORM SCREW SPRING
12/b	0230030014 AUGER P.18
12/c	0230024009 WORM SCREW SPRING P.9
12/d	0230030013 AUGER P.9
13	70003010 BUSH TIE-BOLT
14/a	0230016105 PRODUCT CHUTE ADAPTER
14/b	70003008 FRONT BUSH
15	70003028 STOP PIN
16	70003027 MIXER MALE BUSH
17	70003012 PLASTIC MIXER GEAR
18	70003026 MIXER FEMALE BUSH
19	70003029 STOP DISK
20	VIT0007102 BENZING-QUICKLOCK
21	11837 MIXER
22	0230030233 PLASTIC INGREDIENT CONTAINER h265 PP
23	0230030236 MIXER GEAR
24	0230030238 GEAR ROTATION PLUG
25	0230030239 GEAR PIN FORK
26	0230030012 AUGER PIN
27	VIT0005301 ELASTIC PIN D.2 x 14
28	GUA0000083 GASKET 123
29	0230030011 REAR BUSH
30	0230030274 EXTENSION CONTAINER
31	0230030006 CONTAINER COVER 55 mm. *
32/a	0230030187R RIGHT SPECIAL CONVEYOR INGREDIENT (RED)
32/b	0230030198R RIGHT CONVEYOR INGREDIENT (ORANGE)
34/a	0230030186R LEFT SPECIAL CONVEYOR INGREDIENT (RED)
34/b	0230030197R LEFT CONVEYOR INGREDIENT (ORANGE)
35	0230016024 SUGAR FEEDER
36	TSIL 15/19T D.15X19 NATURAL TRANSPARENT SILICONE PIPE
37	0230030052 ANTIBRIDGING
100	0230030277R CONT. 54 H265 C/P R18 CC
101	0230030275R CONT. 54 H265 C/P R9 CC
102	0230016006R WORM SCREW P.9 PRODUCT CONTAIN
103	0230018012R ROBO MIXER PRODUCT CONTAINER P.18 ASSEM.
104	0230019012CL PRODUCT CONTAINER TEA P9 PP-RP
105	0230017012R PRODUCT CONTAINER PLASTIC WHEEL P.18 ASSEM.
106	0230017014R PRODUCT CONTAINER PLASTIC WHEEL P.9 ASSEM.



CAFFE EUROPA MULTIMEDIA

COFFEE BEANS CONTAINER FOR VERSION E6

Pos. Code	Description
1 0230030415	1 WHEEL COFFEE BEANS CONTAINER
2 0230015066NA	COFFEE CONTAINER BOTTOM (BLACK)
3 0230015207IC	COFFEE CONTAINER BLADE (ORANGE RAL 2011)
4 VIT0002104	2.9x 13 STAINLESS STEEL TAPPING TCB SCREW
5 0230030418	COFFEE CONTAINER CONNECTION
6 0230030426	REINFORCEMENT PLATE
7 VIT0005510	4x16 TCEI SCREW
8 VIT0004810	M 4 SELFLOCKING NUT
9 0230015057	COFFEE LITTLE CONTAINER COVER
100 0230030415R1	1 WHEELCOFFEE BEANS CONTAINER ASS.Y

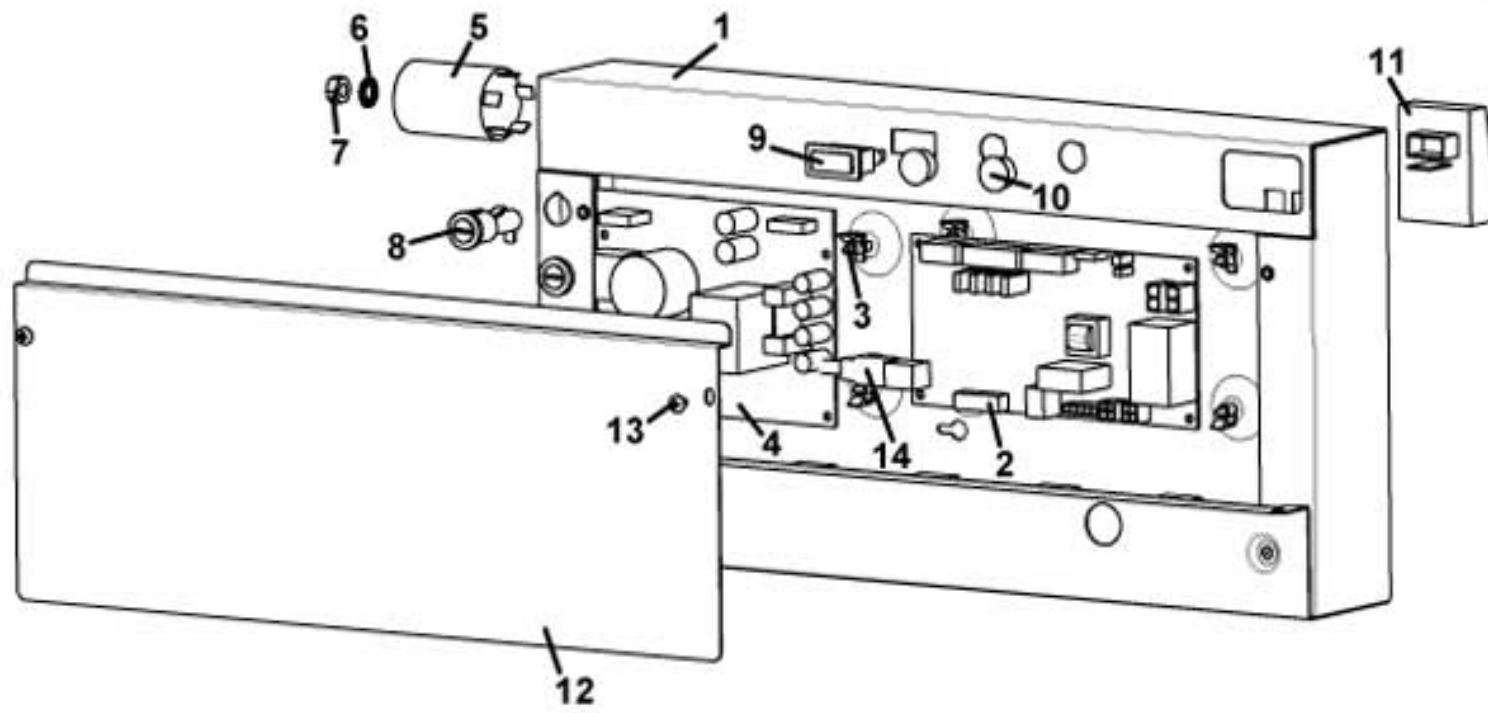


CAFFE EUROPA MULTIMEDIA

COFFEE BEANS CONTAINER FOR VERSION E7

Pos. Code	Description
1 0230030442	INCREASED 2 WHEELS COFFEE BEANS CONTAINER
2 0230015066NA	COFFEE CONTAINER BOTTOM (BLACK)
3 0230015207IC	COFFEE CONTAINER BLADE (ORANGE RAL 2011)
4 VIT0002104	2.9x 13 STAINLESS STEEL TAPPING TCB SCREW
5 0230030444	COFFEE CONTAINER CONNECTION
6 0230030426	REINFORCEMENT PLATE
7 VIT0005510	4x16 TCEI SCREW
8 VIT0004810	M 4 SELFLOCKING NUT
9 0230015057	COFFEE LITTLE CONTAINER COVER
100 0230030442CL1	E/7-1 GRINDER- COFFEE CONTAINER ASSEMBLED (FROM POS.1 TO POS. 8)

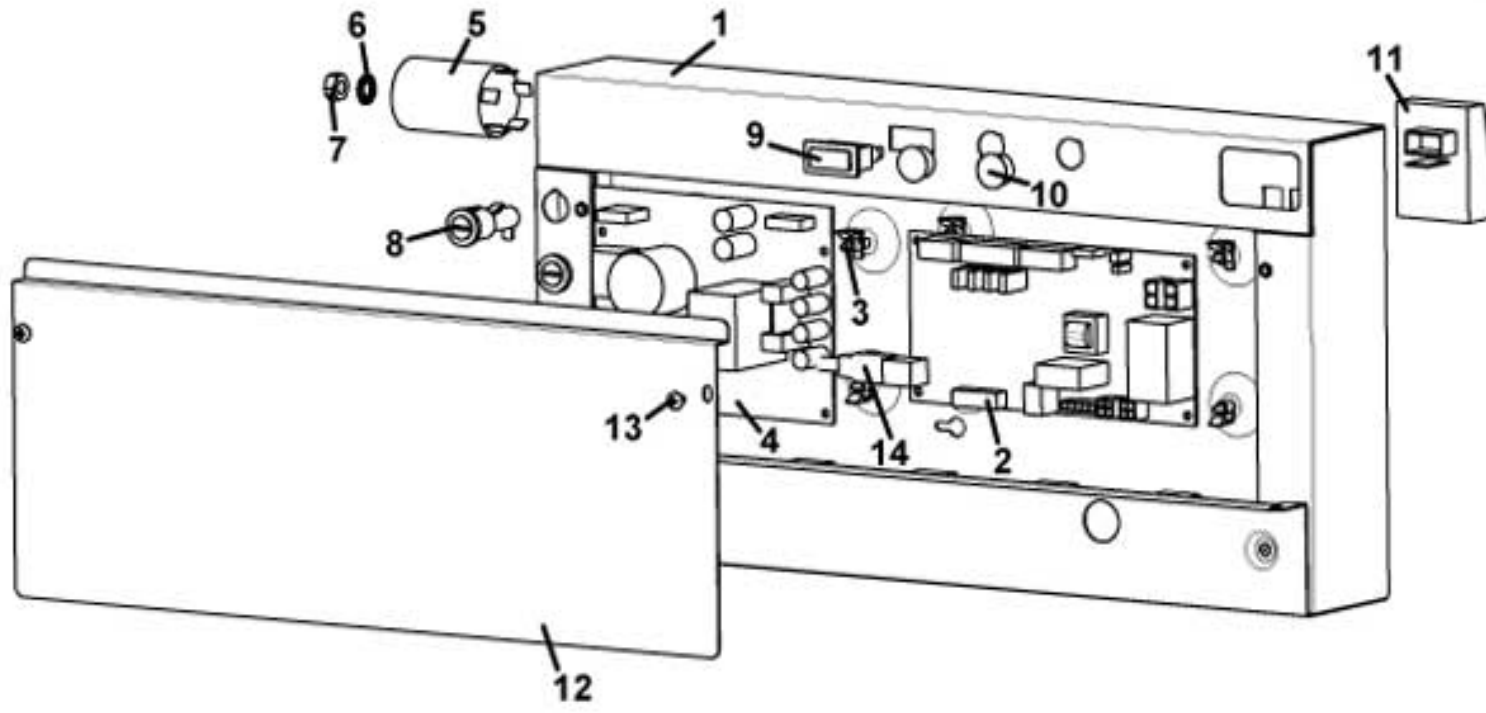
CAFFE EUROPA MULTIMEDIA
CONTROL PANEL "H"



CAFFE EUROPA MULTIMEDIA

CONTROL PANEL "H"

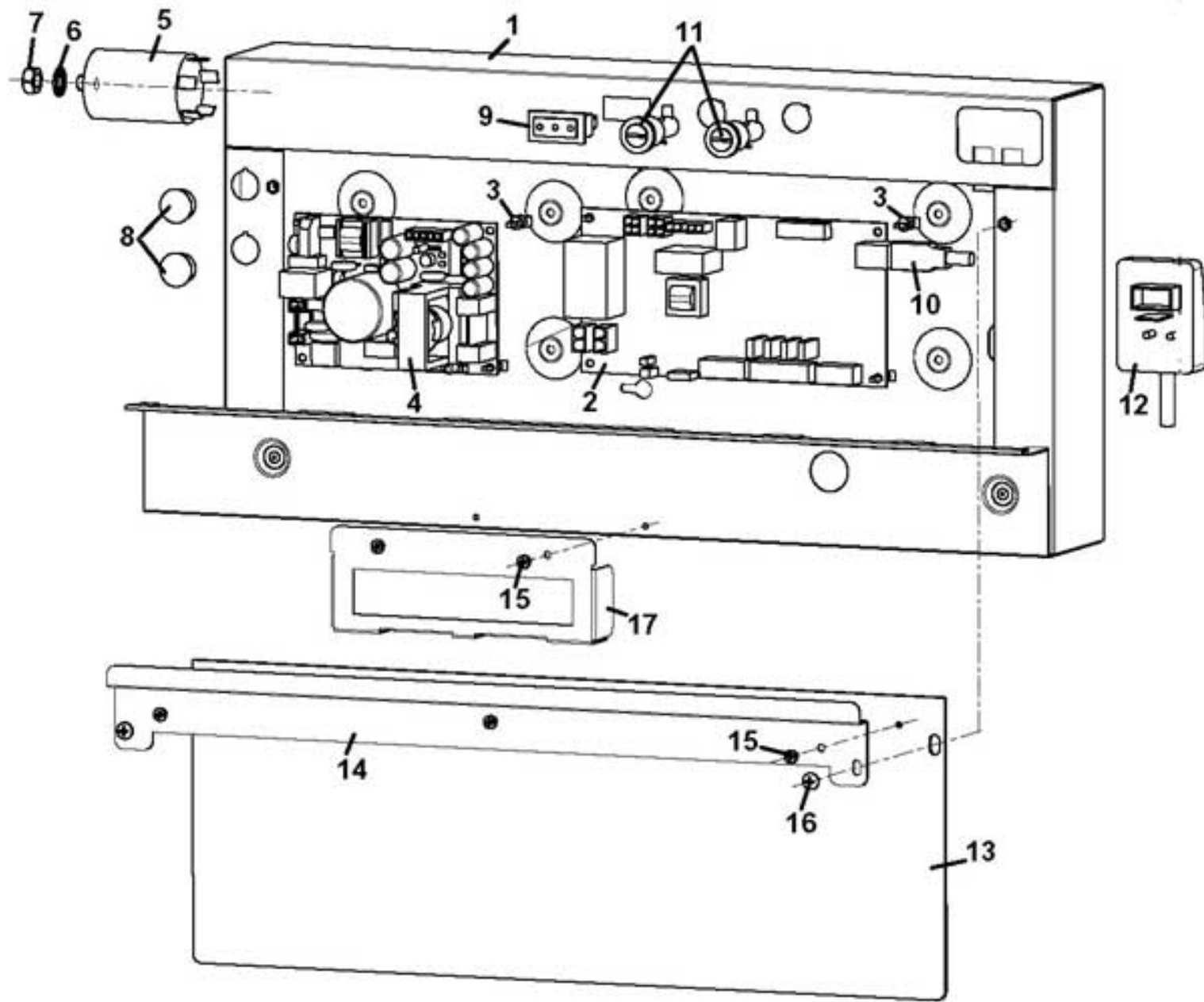
Pos. Code	Description
1 0130012205	CONTROL PANEL STRUCTURE
2 SCH0007060	RS485-1 POWER CONTROL
3 ELE0062003	BOARD SUPPORT
4 SCH0007622	SWITCH. BOARD 220V U24V-5V "CE"
5 ELE0009055	ANTIPARASITIC FILTER
6 VIT0003106	WASHER tab D. 8
7 VIT0004506	M 8 NUT
8 ELE0003507CL	FUSES HOLDER + FUSES
9 ELE0002305	10 A 250 V SOCKET
10 GUA0011010	PLUG
11 ELE0055003CL	POWER PLUG - ASSEMBLY BLOCK
12 0130012207	CONTROL PANEL COVER
13 VIT0000030	SCREW TCB M4 x 7
14 ELT0030677	1,8T USB CABLE CONNECTION FROM POWER BOARD TO CPU
100 0130012210CL	H CONTROL PANEL FROM POS. 1 TO POS. 14 (EXCLUDED POS.12+13)



CAFFE EUROPA MULTIMEDIA

CONTROL PANEL FOR VERSION E6

Pos. Code	Description
1 0130012205	CONTROL PANEL STRUCTURE
2 SCH0007060	RS485-1 POWER CONTROL
3 ELE0062003	BOARD SUPPORT
4 SCH0007622	SWITCH. BOARD 220V U24V-5V "CE"
5 ELE0009055	ANTIPARASITIC FILTER
6 VIT0003106	WASHER tab D. 8
7 VIT0004506	M 8 NUT
8 ELE0003507CL	FUSES HOLDER + FUSES
9 ELE0002305	10 A 250 V SOCKET
10 GUA0011010	PLUG
11 ELE0055003CL	POWER PLUG - ASSEMBLY BLOCK
12 0130012207	CONTROL PANEL COVER
13 VIT0000030	SCREW TCB M4 x 7
14/a ELT0030677	1,8T USB CABLE CONNECTION FROM POWER BOARD TO CPU
14/b ELT0030683	1MT USB CONNECTION FROM POWER BOARD TO BREWER GRUUP BOARD
100 0130012201CL	E CONTROL PANEL FROM POS. 1 TO POS. 14 (EXCLUDED POS.12+13+14/B)



CAFFE EUROPA MULTIMEDIA

CONTROL PANEL FOR VERSION E7

Pos. Code	Description
1 0130012225	CONTROL PANEL STRUCTURE
2 SCH0007060	RS485-1 POWER CONTROL
3 ELE0062003	BOARD SUPPORT
4 SCH0007622	SWITCH. BOARD 220V U24V-5V "CE"
5 ELE0009055	ANTIPARASITIC FILTER
6 VIT0003106	WASHER tab D. 8
7 VIT0004506	M 8 NUT
8 GUA0011010	PLUG
9 ELE0002305	10 A 250 V SOCKET
10/a ELT0030677	1,8T USB CABLE CONNECTION FROM POWER BOARD TO CPU
10/b ELT0030683	1MT USB CONNECTION FROM POWER BOARD TO BREWER GRUUP BOARD
11 ELE0003507CL	FUSES HOLDER + FUSES
12 ELE0055003CL	POWER PLUG - ASSEMBLY BLOCK
13 0130012211	CONTROL PANEL COVER
14 0130012212	CONTAINER SUPPORT
15 VIT0002009	SCREW T.C.B. 3,5 x 6,5
16 VIT0000012	SCREW T.C.B. M 4 x 10
17 0130012227	SMALL CONTAINER SUPPORT
100 0130012220CL	E CONTROL PANEL FROM POS. 1 TO POS. 12 (EXCLUDED POS. 10/B)